



A TEREX BRAND

Parts Manual

Serial Number Range

S-60

from SN S6010-21001

S-65

to S6013-26295

S-60X

S-60XC

S-60HC

S-60TraX

S-65TraX

Part No. 147769

Rev B5

January 2015

Technical Publications

Genie has endeavored to deliver the highest degree of accuracy possible. However, continuous improvement of our products is a Genie policy. Therefore, product specifications are subject to change without notice.

Readers are encouraged to notify Genie of errors and send in suggestions for improvement. All communications will be carefully considered for future printings of this and all other manuals.

Contact Us:

<http://www.genielift.com>

e-mail: awp.techpub@terex.com

Serial Number Information


Genie Industries offers the following Parts Manuals for these models:


Title	Part No
Genie S-60 Parts Manual (to serial number 652).....	28780
Genie S-60 and S-65 Parts Manual (from serial number 653 to 2574)	34477
Genie S-60 and S-65 Parts Manual (from serial number 2575 to 9153)	48411
Genie S-60 and S-65 Parts Manual (from serial number 9154 to 21000)	77827

Copyright © 1992 by Terex South Dakota, Inc.

147769 Rev B January 2014
Fifth Edition, Second Printing

Genie is a registered trademark of Terex South Dakota, Inc. in the USA and many other countries. "S" is a trademark of Terex South Dakota, Inc.

 Printed on recycled paper




A TEREX BRAND

Model: S-60
Serial number: S6010-21001
Model year: 2010 **Manufacture date:** 03/01/10
Electrical schematic number: E0186
Machine unladen weight: 20,736lbs / 9,406kg
 Foam Tires add 764 lbs/347 kg to weight

Rated work load (including occupants): 500 lb / 227 kg
Maximum number of platform occupants: 2
Maximum allowable side force : 150 lb / 670 N
Maximum allowable inclination of the chassis:
 Air Tires 2 deg / Foam Tires 4.5 deg
Maximum wind speed : 28 mph/ 12.5 m/s
Maximum platform height : 60 ft 2 in/ 18.3 m
Maximum platform reach : 50 ft 4 in/ 15.3 m
Gradeability: 45%
Country of manufacture: USA
This machine complies with:
 ANSI A92.5
 CAN B.354.4

Terex South Dakota, Inc.
18340 NE 76th Street
Redmond, WA 98052
USA



10000000000000

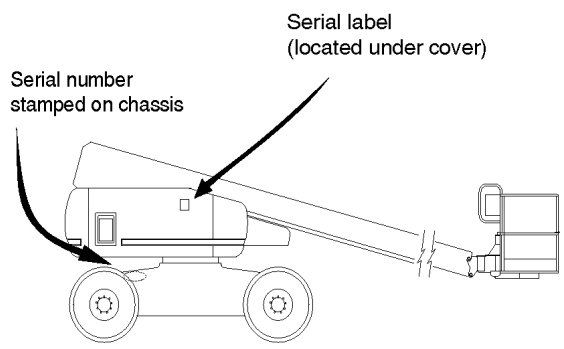
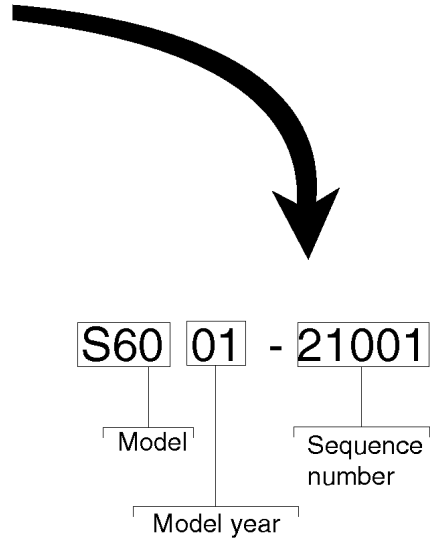


Table of Contents

This manual is updated frequently. If you have a printed manual, you can keep it up to date by downloading new figures from the Genie website at www.genielift.com. For the most up-to-date parts information, visit the Parts Lookup System on the Genie website at www.genielift.com.

How to Read Your Serial Number.....3
 Parts Stocking List.....9
 How to Order Parts.....10
 Service Parts Fax Order Form.....11

Electronic Version

Click on any page number to view the figure.

100 Decals

101.1 S-60 Decals with Word, Hydraulic Tank Side (Australia).....12
 102.1 S-60 Decals with Word, Engine Side (Australia).....14
 103.1 S-60 Decals with Word, Boom (Australia).....16
 104.1 S-60 Decals with Word, Platform (Australia).....18
 105.1 S-60 Decals with Symbol, Hydraulic Tank Side (CE).....20
 106.1 S-60 Decals with Symbol, Engine Side (CE).....22
 107.1 S-60 Decals with Symbol, Boom (CE).....24
 108.1 S-60 Decals with Symbol, Platform (CE).....26
 109.1 S-65 Decals with Word, Hydraulic Tank Side (ANSI & Australia).....28
 110.1 S-65 Decals with Word, Engine Side (ANSI & Australia).....30
 111.1 S-65 Decals with Word, Boom (ANSI & Australia).....32
 112.1 S-65 Decals with Word, Platform (ANSI & Australia).....34
 113.1 S-65 Decals with Symbol, Hydraulic Tank Side (ANSI & CE).....36
 114.1 S-65 Decals with Symbol, Engine Side (ANSI & CE).....38
 115.1 S-65 Decals with Symbol, Boom (ANSI & CE).....40
 116.1 S-65 Decals with Symbol, Platform (ANSI & CE).....42
 117.1 S-60X Decals with Word, Hydraulic Tank Side (ANSI).....44
 118.1 S-60X Decals with Word, Engine Side (ANSI).....46
 119.1 S-60X Decals with Word, Boom (ANSI).....48
 120.1 S-60X Decals with Word, Platform (ANSI).....50
 121.1 S-60X Decals with Symbol, Hydraulic Tank Side (ANSI).....52
 122.1 S-60X Decals with Symbol, Engine Side (ANSI).....54
 123.1 S-60X Decals with Symbol, Boom (ANSI).....56
 124.1 S-60X Decals with Symbol, Platform (ANSI).....58

125.1 S-60XC Decals with Word, Hydraulic Tank Side (ANSI).....60
 126.1 S-60XC Decals with Word, Engine Side (ANSI).....62
 127.1 S-60XC Decals with Word, Boom (ANSI).....64
 128.1 S-60XC Decals with Word, Platform (ANSI).....66
 129.1 S-60XC Decals with Symbol, Hydraulic Tank Side (ANSI).....68
 130.1 S-60XC Decals with Symbol, Engine Side (ANSI).....70
 131.1 S-60XC Decals with Symbol, Boom (ANSI).....72
 132.1 S-60XC Decals with Symbol, Platform (ANSI).....74
 133.1 S-60TX Decals with Word, Hydraulic Tank Side (ANSI & Australia).....76
 134.1 S-60TX Decals with Word, Engine Side (ANSI & Australia).....78
 135.1 S-60TX Decals with Word, Boom (ANSI & Australia).....80
 136.1 S-60TX Decals with Word, Platform (ANSI & Australia).....82
 137.1 S-60TX Decals with Symbol, Hydraulic Tank Side (ANSI & CE).....84
 138.1 S-60TX Decals with Symbol, Engine Side (ANSI & CE).....86
 139.1 S-60TX Decals with Symbol, Boom (ANSI & CE).....88
 140.1 S-60TX Decals with Symbol, Platform (ANSI & CE).....90
 141.1 S-65TX Decals with Word, Hydraulic Tank Side (ANSI & Australia).....92
 142.1 S-65TX Decals with Word, Engine Side (ANSI & Australia).....94
 143.1 S-65TX Decals with Word, Boom (ANSI & Australia).....96
 144.1 S-65TX Decals with Word, Platform (ANSI & Australia).....98
 145.1 S-65TX Decals with Symbol, Hydraulic Tank Side (ANSI & CE).....100
 146.1 S-65TX Decals with Symbol, Engine Side (ANSI & CE).....102
 147.1 S-65TX Decals with Symbol, Boom (ANSI & CE).....104
 148.1 S-65TX Decals with Symbol, Platform (ANSI & CE).....106
 149.1 S-60HC Decals with Symbol, Hydraulic Tank Side (CE).....108
 150.1 S-60HC Decals with Symbol, Engine Side (CE).....110
 151.1 S-60HC Decals with Symbol, Boom (CE).....112
 152.1 S-60HC Decals with Symbol, Platform (CE).....114

200 Drive Chassis Components

201.1 Steer End (to SN 26295).....116
 201.2 Steer End (from SN 26296).....120
 202.1 Non-steer End.....124
 203.1 Oscillate Valve.....128
 204.1 TraX Option Steer End.....130

205.1 TraX Option Non-Steer End.....	132	605.1 Boom End Components.....	224
206.1 TraX Option Components.....	134	606.1 Boom End Components - S-65.....	226
300 Turntable Components		607.1 Boom End Components - S-60 HC.....	228
301.1 Tank Side - View 1.....	136	608.1 Boom End Components - S-60X and S-60XC.....	230
302.1 Tank Side - View 2.....	138	609.1 Boom End Components - S-60 and S-65 CE Load Sense.....	232
303.1 Turntable Covers.....	142	610.1 S-60 HC Primary Boom Components.....	234
304.1 Engine Side.....	144	611.1 Cable Track (to SN 22585).....	236
305.1 Ground Control Box - View 1.....	148	611.2 Cable Track (from SN 22586).....	238
306.1 Ground Control Box - View 2.....	152	700 Platform Components	
307.1 Wire Harness Diagram.....	154	701.1 Platform Installation.....	240
308.1 S-60 HC Turntable - View 1.....	158	702.1 Platform Control Box - View 1.....	242
309.1 S-60 HC Turntable - View 2.....	160	703.1 Platform Control Box - View 2.....	246
400 Manifolds and Pumps		704.1 Joysticks.....	250
401.1 Function Manifold.....	162	800 Hydraulic Hoses and Fittings	
402.1 Traction Manifold, 2WD.....	166	801.1 Function Manifold - View 1.....	252
403.1 Traction Manifold, 4WD (to serial number 21231).....	168	802.1 Function Manifold - View 2.....	256
403.2 Traction Manifold, 4WD (from serial number 21232).....	170	803.1 4WD Traction Manifold.....	260
404.1 Platform Rotate and Jib Boom/Platform Rotate Manifold.....	172	804.1 2WD Traction Manifold.....	262
405.1 Pumps.....	174	805.1 Oscillate Option.....	264
406.1 Brake and 2 Speed Manifold (to SN 25201).....	176	806.1 Hydraulic Generator Option (to SN 21396).....	266
406.2 Brake and 2 Speed Manifold (from SN 25202).....	178	806.2 Hydraulic Generator Option (from SN 21397).....	268
500 Engine Components		807.1 Hydraulic Oil Cooler Option.....	270
501.1 Deutz D2011L03i.....	180	808.1 Welder Option (to SN 26173).....	272
502.1 Perkins 404-22.....	184	808.2 Welder Option (from SN 26174).....	274
503.1 Ford DSG-423 Engine - View 1 (to SN 24508).....	188	900 Accessories	
504.1 Ford DSG-423 Engine - View 2 (to SN 24508).....	190	901.1 Alarm and Beacon Package.....	276
505.1 Ford DSG-423 Engine - View 3 (to SN 24508).....	192	902.1 Platform Accessories.....	278
506.1 Ford DSG-423 Engine - View 4 (to SN 24508).....	194	903.1 Air Line and Power to Platform.....	280
507.1 Deutz TD2011-L04i Engine - View 1.....	196	904.1 Tri-Entry Platform Option.....	282
508.1 Deutz TD2011-L04i Engine - View 2.....	200	905.1 Gauge Option.....	284
509.1 Ford MSG-425 EFI Engine - View 1 (from SN 24509).....	202	906.1 Hydraulic Oil Cooler Option.....	286
510.1 Ford MSG-425 EFI Engine - View 2 (from SN 24509).....	204	907.1 Cold Start Package (to SN 23597).....	288
511.1 Ford MSG-425 EFI Engine - View 3 (from SN 24509).....	206	907.2 Cold Start Package (from SN 23598).....	290
512.1 Ford MSG-425 EFI Engine - View 4 (from SN 24509).....	208	908.1 Hostile Environment Package, Boom Wipers.....	294
600 Boom Structure Components		909.1 Hostile Environment Package, Turntable Components.....	296
601.1 Linkage Assembly.....	212	910.1 Hostile Environment Package, Cylinder Bellows and Cable Track Protection.....	298
602.1 Boom Components - View 1.....	216	911.1 Hostile Environment Package, Engine Air Pre-Cleaners.....	300
603.1 Boom Components - View 2.....	220	912.1 Welder Option - Chassis components.....	302
604.1 Boom Limit Switch - S-60X, S-60XC and S-60 TraX (ANSI).....	222	913.1 Welder Option - Platform Components.....	306
		914.1 Welder Option - Generator Components.....	308
		915.1 Aircraft Protection Package, S-65 and S-65 TraX.....	310

Table of Contents (continued)

916.1 Aircraft Protection Package, Deluxe, S-65 and S-65 TraX.....	312
917.1 Panel Cradle.....	314
918.1 Work Lights / Drive Lights.....	316
919.1 Generator Option.....	318
920.1 Operator Protective Structure.....	320
921.1 Tow Package.....	322

Indices

Part Number Index.....	324
Part Description Index.....	333

Cross References

Fittings Cross Reference.....	346
-------------------------------	-----

This Page Intentionally Left Blank

Required Parts

The following parts are required to perform maintenance procedures as outlined in the *Genie S-60 and S-65 Service Manual*.

All Models:

Description	Part No.
Hydraulic Tank Filter	88917
Medium Pressure Filter	60857
High Pressure Filter	60857
Dielectric Grease	66399
Lithium Based Grease.....(source locally)	
Drive Hub Oil (refer to Service Manual) ..(source locally)	

Perkins 404-22 Models:

Description	Part No.
Air Filter Element.....	62420
Fuel/water Separator Element.....	62433
Engine Oil Filter.....	94762
V-belt	89765
Fuel Filter	62421

Deutz D2011-L03i Models:

Description	Part No.
Air Filter	62420
Fuel/water Separator Element.....	29560
Engine Oil Filter.....	49924
V-belt	32698

Deutz TD2011-L04i Models:

Description	Part No.
Air Filter	62425
Fuel/water Separator Element.....	29560
Engine Oil Filter.....	49924
V-belt	58630

Ford DSG-423 EFI Models:

Description	Part No.
Fuel Pre-Filter.....	119984
Engine Oil Filter.....	119139
Air Filter Element.....	77295
Serpentine Belt.....	119138
PCV Valve.....	119474
Spark Plug	119495

Recommended Parts

Description	Part No.
Genie Blue Paint, 1 Gallon	32150
Genie Blue Paint, 12 Ounce Aerosol.....	1484
Genie Gray Paint, 1 Gallon	32151
Genie Gray Paint, 12 Ounce Aerosol	1268
Plug and Cap Kit (for ORFS fittings).....	49613
Protractor Kit	58351

Manuals

Genie Industries offers the following support documents for these models:

Title	Part No.
Genie S-60X ANSI/CSA Operator's Manual	T107102
Genie S-60TraX ANSI/CSA Operator's Manual	T107103
Genie S-60XC ANSI/CSA Operator's Manual	T107104
Genie S-65 ANSI/CSA Operator's Manual	T107106
Genie S-65TraX ANSI/CSA Operator's Manual	T107107
Genie S-60 & S-65 CE Operator's Manual	T107109
Genie S-60 & S-65 TraX CE Operator's Manual	T107110
Genie S-60 HC CE Operator's Manual	T107112
Genie S-60 & S-65 Aus Operator's Manual	T107964
Genie S-60 & S-65 TraX Aus Operator's Manual	T107965
Genie S-60 and S-65 Service Manual.....	147753
EMI Safety Manual	27581
Manual of Responsibilities ANSI A92.5	31779

How To Order Parts

Please be prepared with the following information when ordering replacement parts for your Terex or Genie product:

- Machine model number
- Machine serial number
- Part number
- Part description and quantity
- Purchase order number
- "Ship to" address
- Desired method of shipment
- Name and telephone number of the authorized distributor in your area

Use the Service Parts Fax Order Form on the next page and fax your order to our Parts Department.

If you don't know the name of your authorized distributor, or if your area is not currently serviced by an authorized distributor, please call Terex or Genie Industries.

Machine Information

Model

Serial Number

Date of Purchase

Authorized Genie Distributor

Phone Number

North America

Telephone (425) 556-6551
 Toll Free (877) 367-5606 in U.S.A. and Canada
 Fax (425) 556-8659
 Toll Free Fax (888) 274-6192

Europe

Parts Telephone (31) (165) 519 313
 Parts Fax (31) (165) 511 148

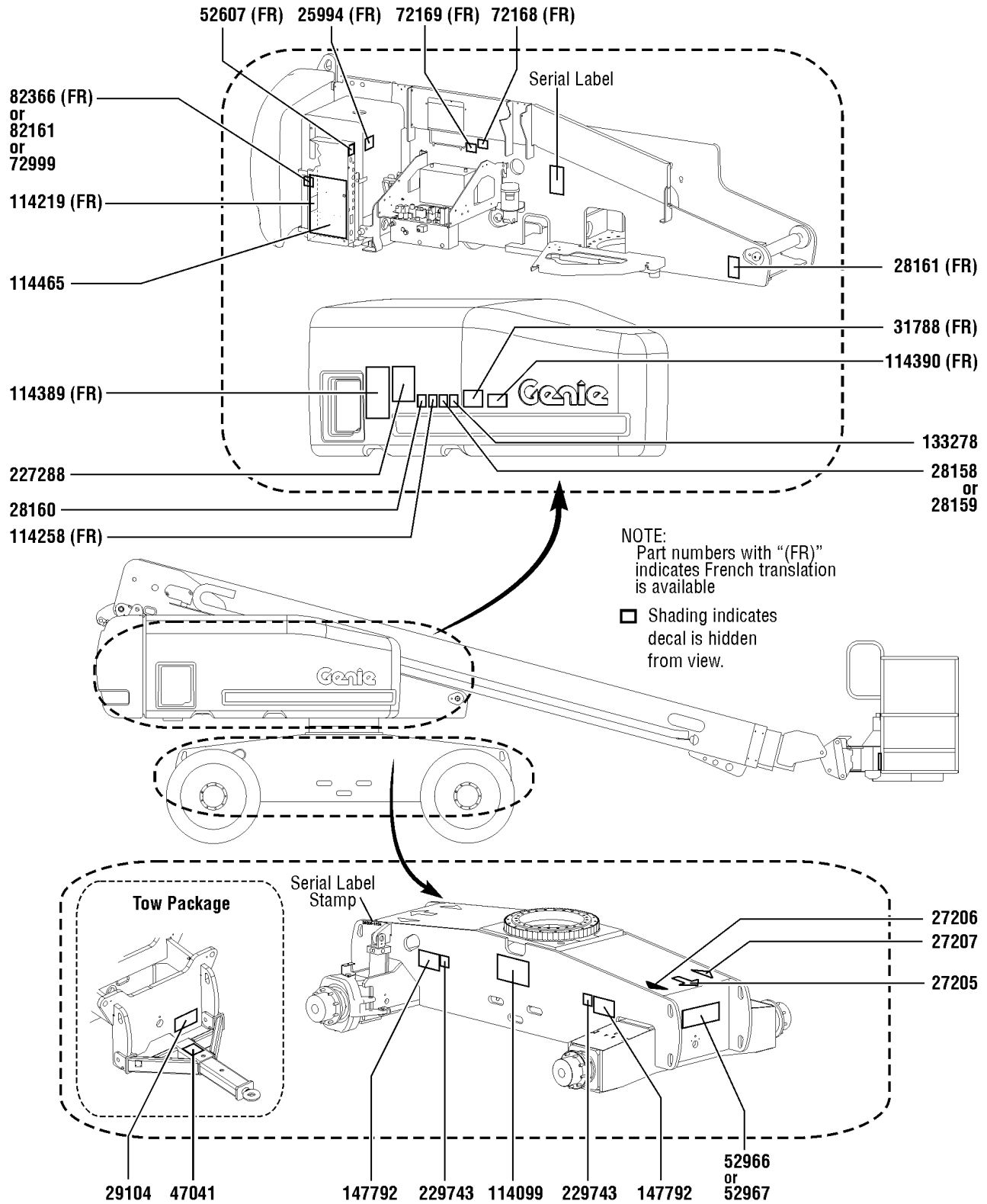
Australia

Parts Telephone (61) (7) 3456 4444
 Parts Fax (61) (7) 3456 4466

South America

Parts Telephone (55) (11) 4082 5600
 Parts Fax (55) (11) 4082 5630

101.1 S-60 Decals with Word, Hydraulic Tank Side (Australia)

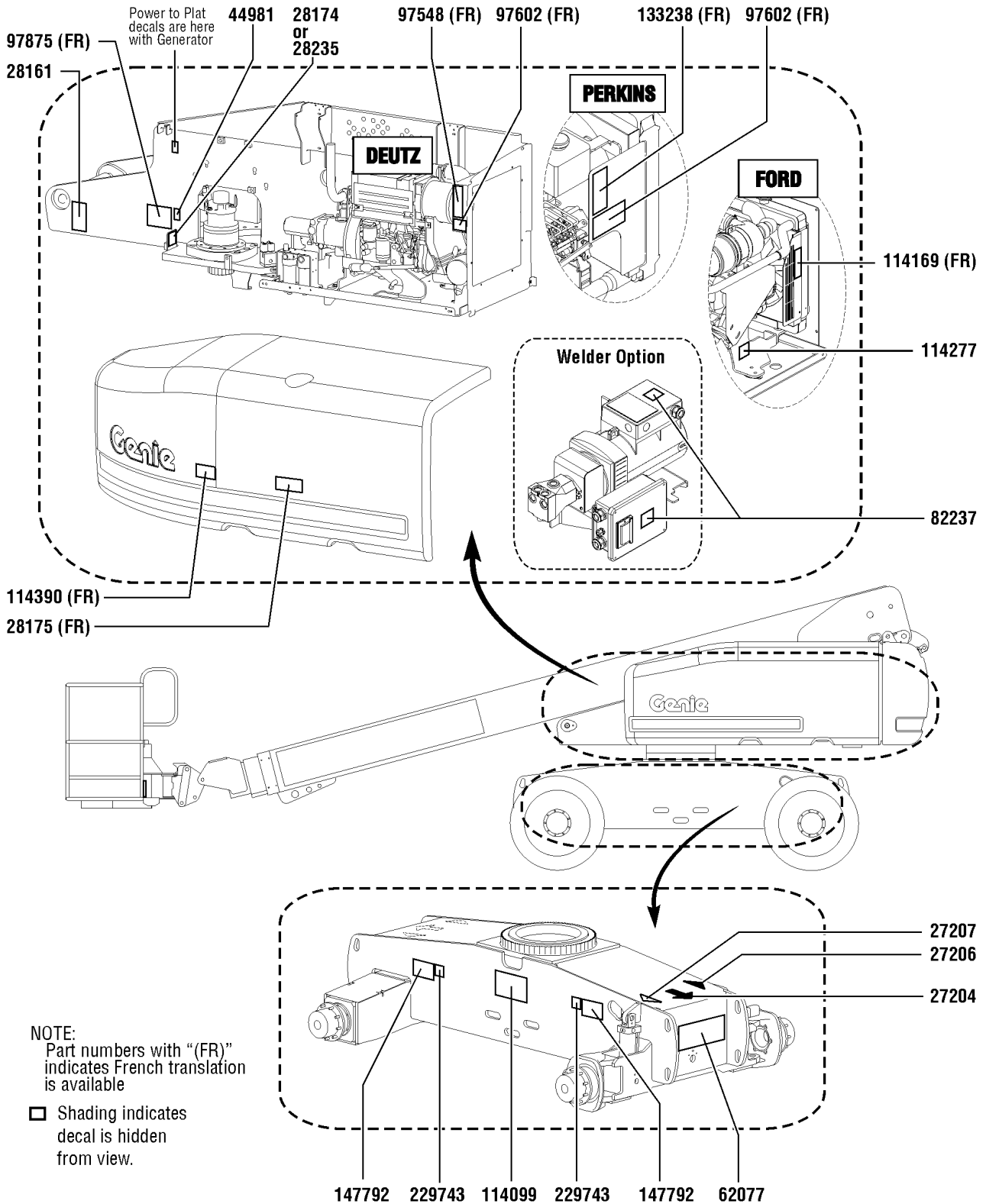


101.1 S-60 Decals with Word, Hydraulic Tank Side (Australia)

Item	Part No.	Description	Qty.	Item	Part No.	Description	Qty.
1	25994	DECAL,NOTICE,SHUTOFF VALVES.....	1	26	133278	DECAL,LOW/ULTRA LOW SULFR FUEL.....	1
2	27205	DECAL,ARROW YELLOW LRG 9".....	1			<i>Diesel models only</i>	
3	27206	DECAL,TRIANGLE,BLUE.....	1	27	147792	DANGER,TIPOVR,TIRES FF ONLY.....	2
4	27207	DECAL,TRIANGLE,YELLOW.....	1	28	227288	DECAL, OPERATING INSTRUCTIONS.....	1
5	28158	DECAL,LABEL,UNLEADED GAS ONLY.....	1	29	229743	DECAL,LABEL,WHEEL LOAD S60/60X.....	2
6	28159	DECAL,DIESEL.....	1				
7	28160	DECAL,LABEL,LIQUID PROPANE.....	1				
		<i>Option, LPG tank</i>					
8	28161	DECAL,WARN,CRUSH HAZARD HAND.....	1				
9	29104	DECAL,TOWING INSTRUCTIONS.....	1				
		<i>Option, tow package</i>					
10	31788	DECAL,DANGER,BATTERY SAFETY***.....	1				
11	47041	DECAL,CAUTION,TOWING SPEED.....	1				
		<i>Option, tow package</i>					
12	52607	DECAL,LABEL,TEST***.....	1				
		<i>Ford only</i>					
13	52966	DECAL,COSMETIC,4 X 2.....	1				
14	52967	DECAL,COSMETIC,4 X 4.....	1				
15	72168	DECAL,LABEL,STARTER BATTERY.....	1				
16	72169	DECAL,LABEL,CONTROLS BATTERY.....	1				
17	72999	DECAL,LABEL,PETRO CANADA***.....	1				
18	82161	DECAL,LABEL,UCON HYDROLUBE.....	1				
19	82366	DECAL,CHEVRON RANDO HD.....	1				
20	114099	DECAL,LABEL,TRANSPORT DIAGRAM.....	1				
21	114219	DECAL,LABEL,RELAYS,S60&65.....	1				
22	114258	DECAL,DANGER,NO SMOKING.....	1				
23	114389	DECAL,DANGER,GENERAL SAFETY.....	1				
24	114390	DECAL,DANGER,ELECT HAZARD***.....	1				
25	114465	DECAL GROUND CONTROL BOX.....	1				



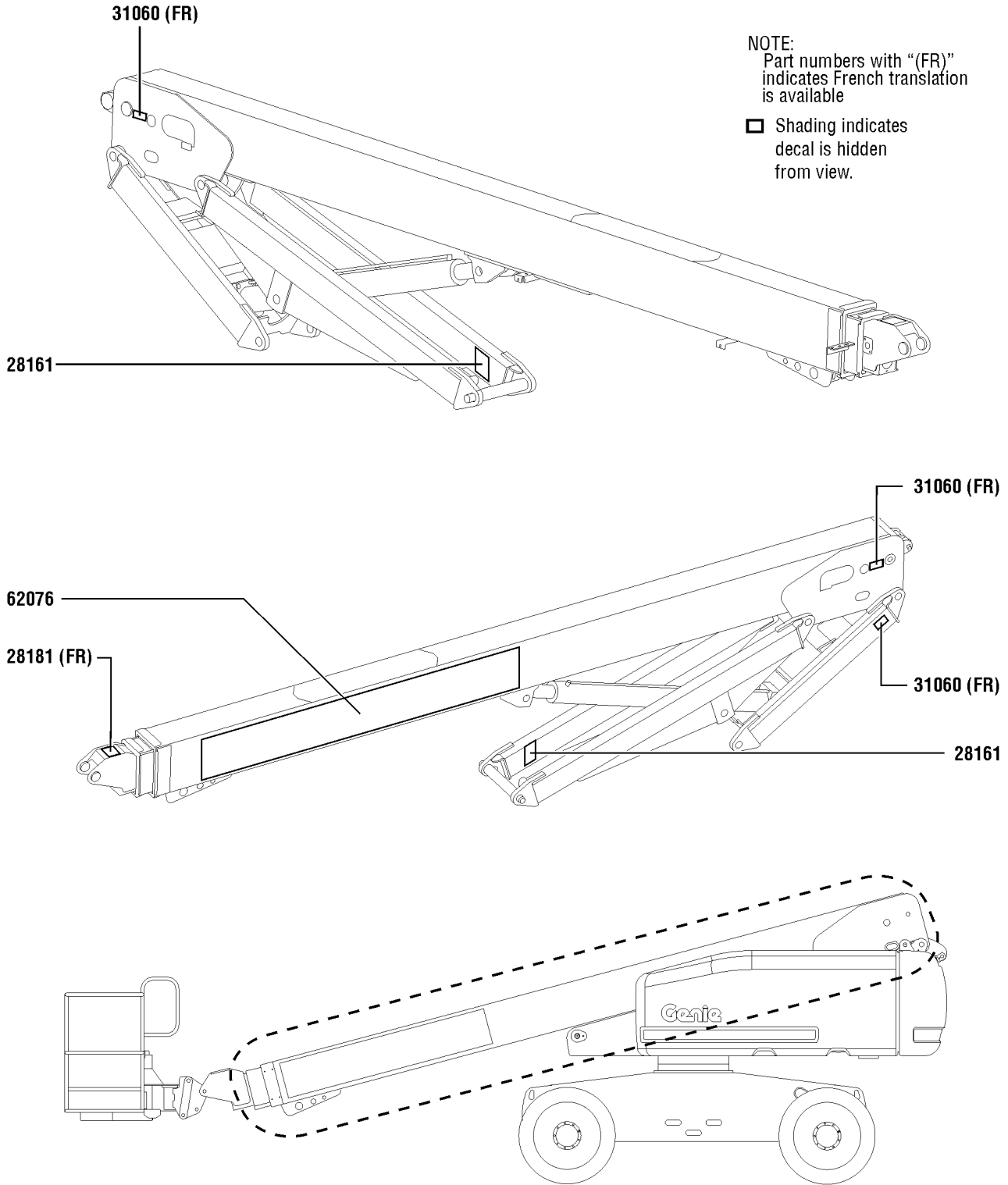
102.1 S-60 Decals with Word, Engine Side (Australia)



102.1 S-60 Decals with Word, Engine Side (Australia)

Item	Part No.	Description	Qty.
1	27204	DECAL,ARROW BLUE.....	1
2	27206	DECAL,TRIANGLE,BLUE.....	1
3	27207	DECAL,TRIANGLE,YELLOW.....	1
4	28161	DECAL,WARN,CRUSH HAZARD HAND.....	1
5	28174	DECAL,POWER TO PLATFORM 230V.....	1
6	28175	DECAL,COMPARTMENT ACCESS.....	1
7	28235	DECAL,POWER TO PLATFORM 115V.....	1
8	44981	DECAL,LABEL,AIRLINE 110 PSI..... <i>Option,airline to plat</i>	1
9	62077	DECAL,COSMETIC,S60.....	1
10	82237	DECAL,DANGER,HIGH VOLTAGE..... <i>Option, welder</i>	2
11	97548	DECAL,ENGINE SPEC,DEUTZ 2011.....	1
12	97602	DECAL,EXPLOSION HAZARD.....	1
13	97875	DECAL,WARN.WELD LINE INST.WORD..... <i>Option, weld cable line</i>	1
14	114099	DECAL,LABEL,TRANSPORT DIAGRAM.....	1
15	114169	DECAL,FORD ENGINE SPEC DSG423.....	1
16	114277	DECAL,LABEL,BELT ROUTING DSG.....	1
17	114390	DECAL,DANGER,ELECT HAZARD***	1
18	133238	DECAL,ENGINE SPEC,PERKINS***	1
19	147792	DANGER,TIPOVR,TIRES FF ONLY	2
20	229743	DECAL,LABEL,WHEEL LOAD S60/60X.....	2

103.1 S-60 Decals with Word, Boom (Australia)

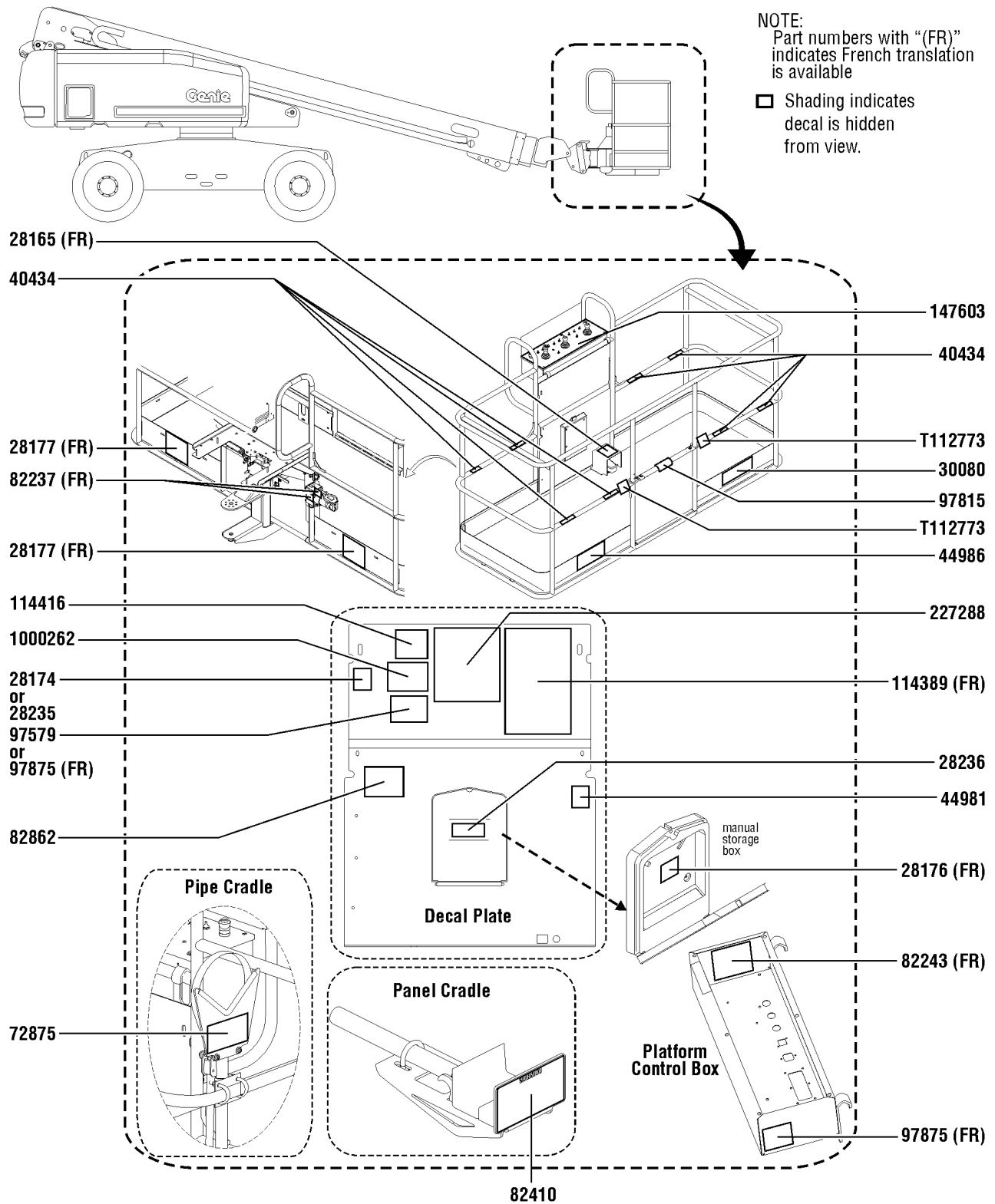


103.1 S-60 Decals with Word, Boom (Australia)

Item	Part No.	Description	Qty.
1	28161	DECAL,WARN,CRUSH HAZARD HAND.....	2
2	28181	DECAL,WARN,FALL HAZARD.....	1
3	31060	DECAL,DANGER DO NOT ALTER SWTC.....	3
4	62076	DECAL,COSMETIC,GENIE S-60.....	1



104.1 S-60 Decals with Word, Platform (Australia)

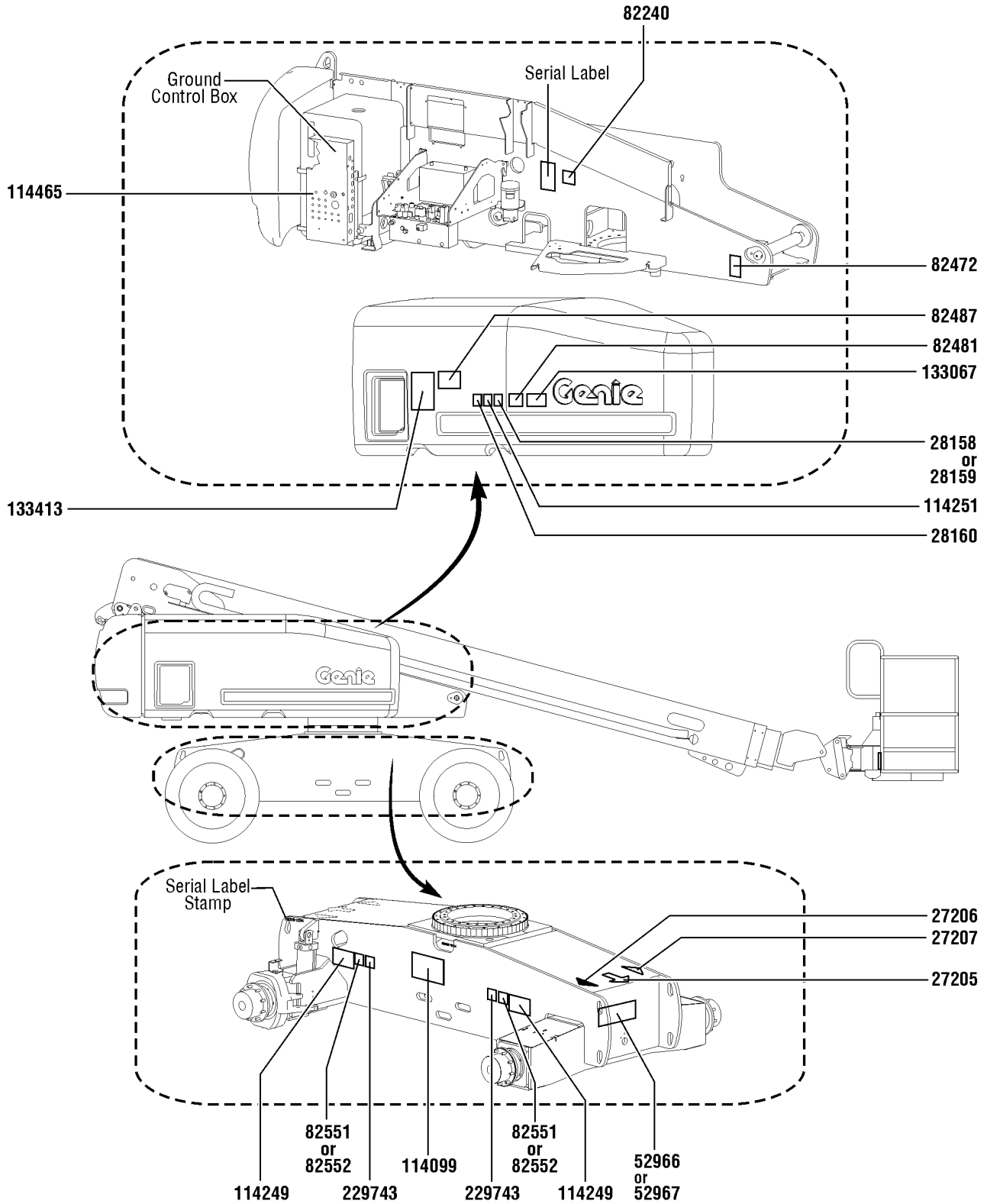


104.1 S-60 Decals with Word, Platform (Australia)

Item	Part No.	Description	Qty.	Item	Part No.	Description	Qty.
1	28165	DECAL,INSTRUCT,FOOTSWITCH OPER.....	1	24	T112773	TAPE, PROTECTIVE MASK.....	2
2	28174	DECAL,POWER TO PLATFORM 230V.....	1				
3	28176	DECAL,LABEL,MANUAL NOT HERE.....	1				
4	28177	DECAL,WARN,CRUSH HAZARD PLAT.....	2				
5	28235	DECAL,POWER TO PLATFORM 115V.....	1				
6	28236	DECAL,WARN,IMPROPER OPERATION.....	1				
7	30080	DECAL,NOTICE,MAX LOAD 500 LBS.....	1				
8	40434	DECAL,LANYARD ANCHORAGE POINT.....	8				
9	44981	DECAL,LABEL,AIRLINE 110 PSI..... <i>Option, airline to plat</i>	1				
10	44986	DECAL,INSTR,SIDE FRC/WIND,AUS.....	1				
11	72875	DECAL,WARNING,PIPE CRADLE,BOOM..... <i>Option, pipe cradle</i>	2				
12	82237	DECAL,DANGER,HIGH VOLTAGE..... <i>Option, welder</i>	2				
13	82243	DECAL FAULT CODE.....	1				
14	82410	DECAL,WARNING,PANEL CRADLE..... <i>Option, panel cradle</i>	2				
15	82862	DECAL,FIRE EXTINGUISHER..... <i>Option, welder</i>	1				
16	97579	DECAL,DANGER,TIP-OVER,WELDER**..... <i>Option, welder</i>	1				
17	97815	DECAL,LABEL,LOWER MIDRAIL....	1				
18	97875	DECAL,WARN.WELD LINE INST.WORD..... <i>Option, weld cable line</i>	2				
19	114389	DECAL,DANGER,GENERAL SAFETY.....	1				
20	114416	DECAL,DANGER,TIPOVER,TILT....	1				
21	147603	DECAL, PLAT CNTL PNL.....	1				
22	227288	DECAL, OPERATING INSTRUCTIONS.....	1				
23	1000262	DECAL,DANGER,TIP OVER,PLAT.....	1				



105.1 S-60 Decals with Symbol, Hydraulic Tank Side (CE)

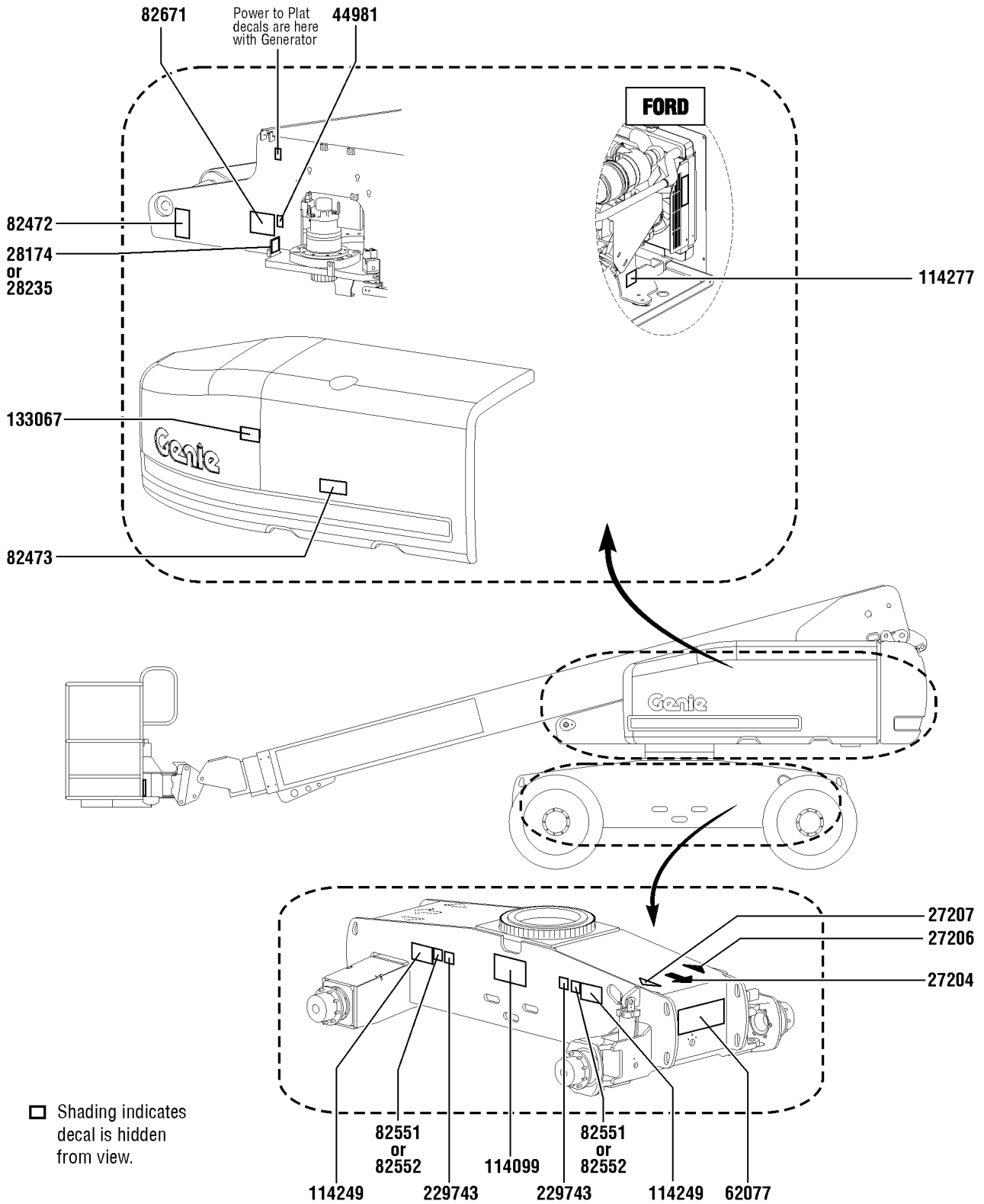


A TEREX BRAND

105.1 S-60 Decals with Symbol, Hydraulic Tank Side (CE)

Item	Part No.	Description	Qty.
1	27205	DECAL,ARROW YELLOW LRG 9".....	1
2	27206	DECAL,TRIANGLE,BLUE.....	1
3	27207	DECAL,TRIANGLE,YELLOW.....	1
4	28158	DECAL,LABEL,UNLEADED GAS ONLY.....	1
5	28159	DECAL,DIESEL.....	1
6	28160	DECAL,LABEL,LIQUID PROPANE..... <i>Option, LPG tank</i>	1
7	52966	DECAL,COSMETIC,4 X 2.....	1
8	82240	DECAL,LABEL,105 DB.....	1
9	82472	DECAL,WARNING,CRUSHING HAZARD.....	1
10	82481	DECAL,SYMBOL-BATTERY SAFETY.....	1
11	82487	DECAL,SYMBOL-READ THE MANUAL.....	1
12	82551	DECAL,LABEL,TIRE PRESSURE S60.....	2
13	82552	DECAL,LABEL,TIRE PRESS HF S60..... <i>Option, hi-floatation tires</i>	2
14	82967	DECAL KIT,SYMBOLS,Z34IC.....	1
15	114099	DECAL,LABEL,TRANSPORT DIAGRAM.....	1
16	114249	DECAL,LABEL,TIPOVER,TIRES,SYMB.2	
17	114251	DECAL,LABEL,NO SMOKING,SYMB.....	1
18	114465	DECAL GROUND CONTROL BOX.....	1
19	133067	DECAL,DANGER,ELEC.HAZ.STAY CLR.....	1
20	133413	DECAL,EMERGENCY LOWERING.....	1
21	229743	DECAL,LABEL,WHEEL LOAD S60/60X.....	2

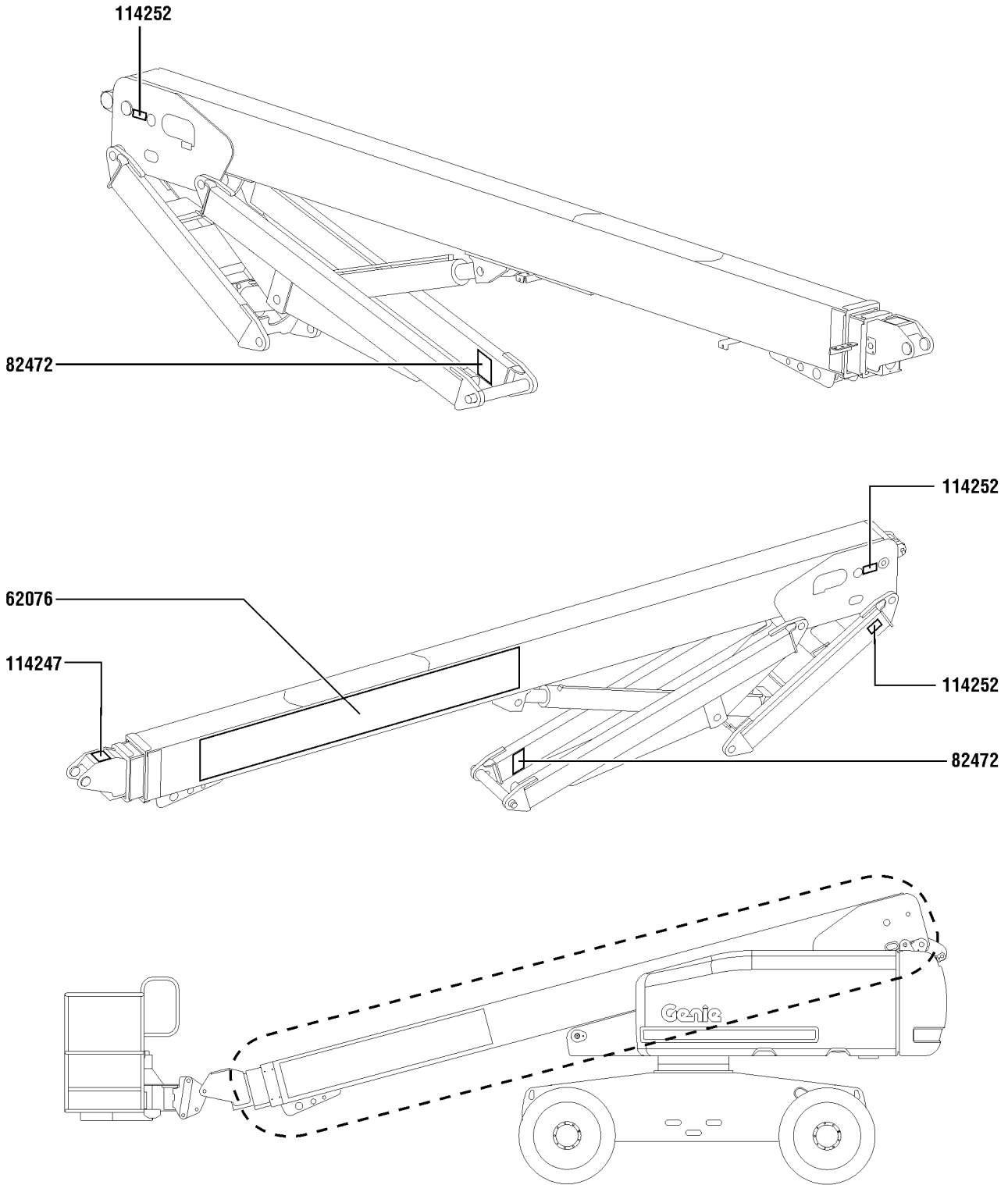
106.1 S-60 Decals with Symbol, Engine Side (CE)



106.1 S-60 Decals with Symbol, Engine Side (CE)

Item	Part No.	Description	Qty.
1	27204	DECAL,ARROW BLUE.....	1
2	27206	DECAL,TRIANGLE,BLUE.....	1
3	27207	DECAL,TRIANGLE,YELLOW.....	1
4	28174	DECAL,POWER TO PLATFORM 230V.....	1
5	28235	DECAL,POWER TO PLATFORM 115V.....	1
6	44981	DECAL,LABEL,AIRLINE 110 PSI..... <i>Option, airline to plat</i>	1
7	62077	DECAL,COSMETIC,S60.....	1
8	82472	DECAL,WARNING,CRUSHING HAZARD.....	1
9	82473	DECAL,SYMBOL-COMP ACCESS.....	1
10	82551	DECAL,LABEL,TIRE PRESSURE S60.....	2
11	82552	DECAL,LABEL,TIRE PRESS HF S60..... <i>Option, hi-floatation tires</i>	2
12	82671	DECAL,LABEL,WELD LINE INST,SYM..... <i>Option, weld cable line</i>	1
13	114099	DECAL,LABEL,TRANSPORT DIAGRAM.....	1
14	114249	DECAL,LABEL,TIPOVER,TIRES,SYMB.	2
15	114277	DECAL,LABEL,BELT ROUTING DSG.....	1
16	133067	DECAL,DANGER,ELEC.HAZ.STAY CLR.....	1
17	229743	DECAL,LABEL,WHEEL LOAD S60/60X.....	2

107.1 S-60 Decals with Symbol, Boom (CE)

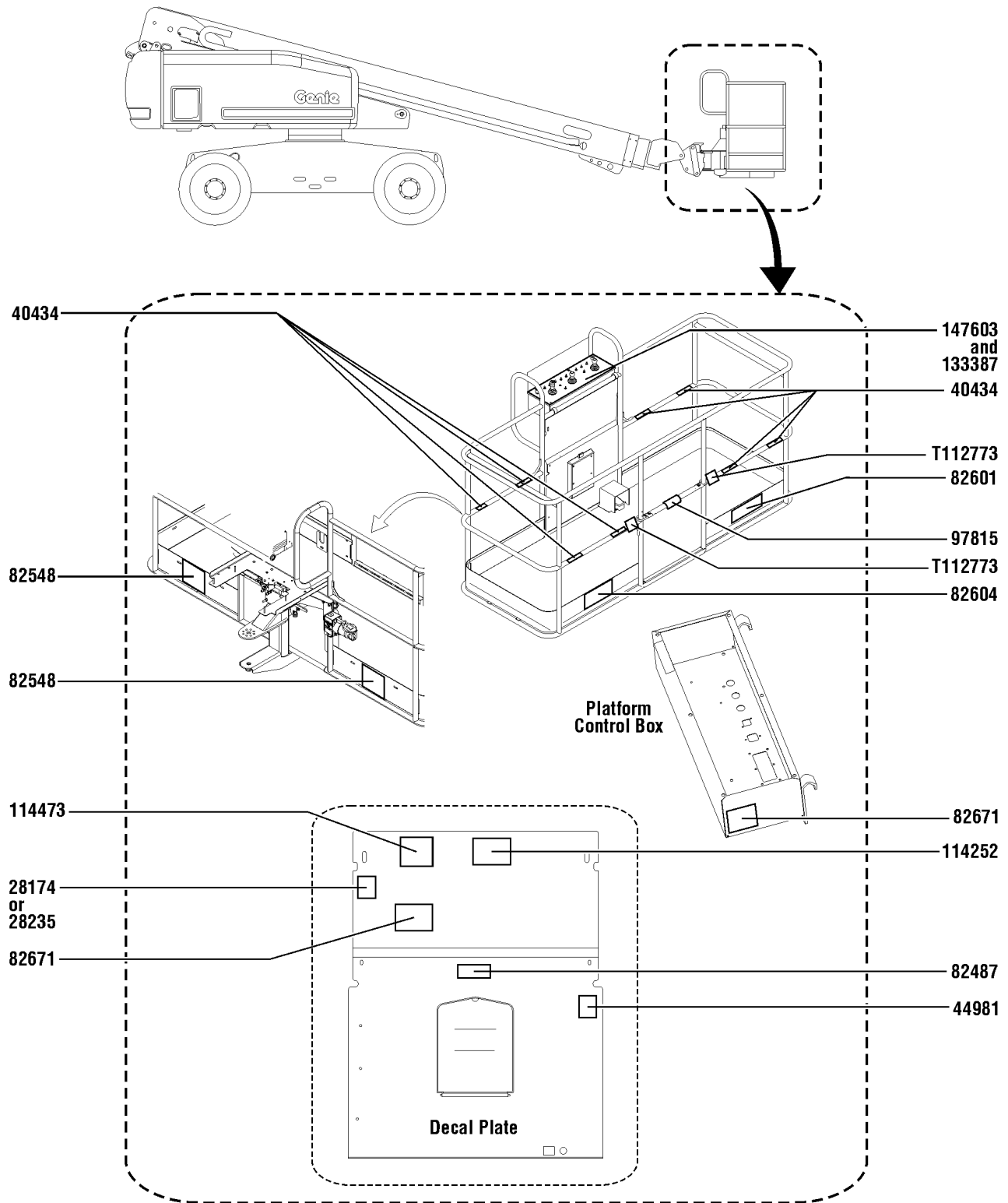


107.1 S-60 Decals with Symbol, Boom (CE)

Item	Part No.	Description	Qty.
1	62076	DECAL,COSMETIC,GENIE S-60.....1	
2	82472	DECAL,WARNING,CRUSHING HAZARD.....2	
3	114247	DECAL,LABEL,FALL HAZARD***1	
4	114252	DECAL,LABEL,TIP OVER LMT SWTCH.....3	



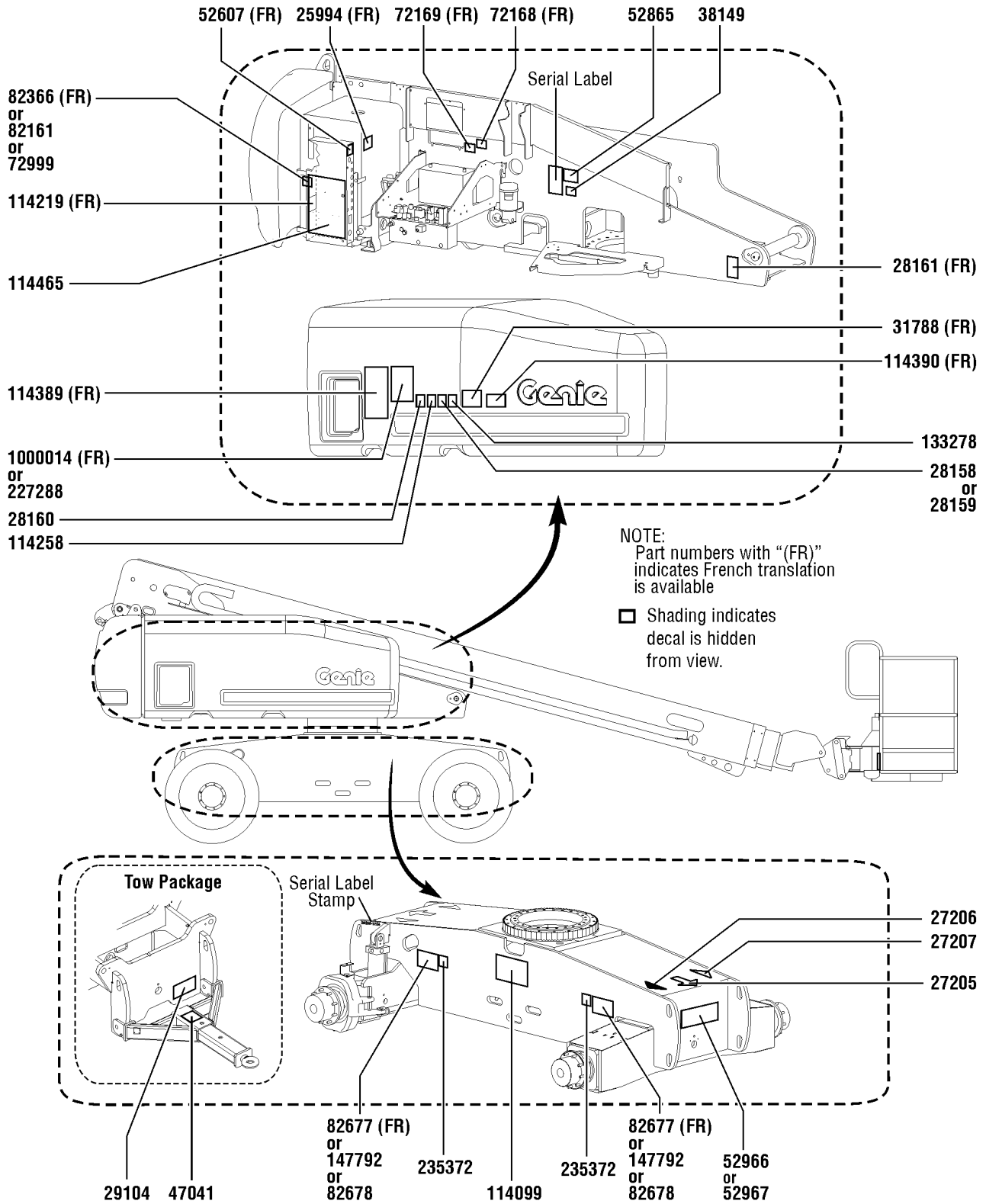
108.1 S-60 Decals with Symbol, Platform (CE)



108.1 S-60 Decals with Symbol, Platform (CE)

Item	Part No.	Description	Qty.
1	28174	DECAL,POWER TO PLATFORM 230V.....	1
2	28235	DECAL,POWER TO PLATFORM 115V.....	1
3	40434	DECAL,LANYARD ANCHORAGE POINT.....	8
4	44981	DECAL,LABEL,AIRLINE 110 PSI..... <i>Option, airline to plat</i>	1
5	82487	DECAL,SYMBOL-READ THE MANUAL.....	1
6	82548	DECAL,WARN,CRUSH HAZARD PLAT.....	2
7	82601	DECAL,LABEL,MAX CAPACITY***.....	1
8	82604	DECAL,DANGER,SIDE FRC 400N.....	1
9	82671	DECAL,LABEL,WELD LINE INST,SYM..... <i>Option, weld cable line</i>	2
10	97815	DECAL,LABEL,LOWER MIDRAIL....	1
11	114252	DECAL,LABEL,TIP OVER LMT SWTCH.....	1
12	114473	DECAL,DANGER,TIPOVER,TILT,SYM.	1
13	133387	DECAL,DRIVE ENABLE PATCH....	1
14	147603	DECAL, PLAT CNTL PNL.....	1
15	T112773	TAPE, PROTECTIVE MASK.....	2

109.1 S-65 Decals with Word, Hydraulic Tank Side (ANSI & Australia)

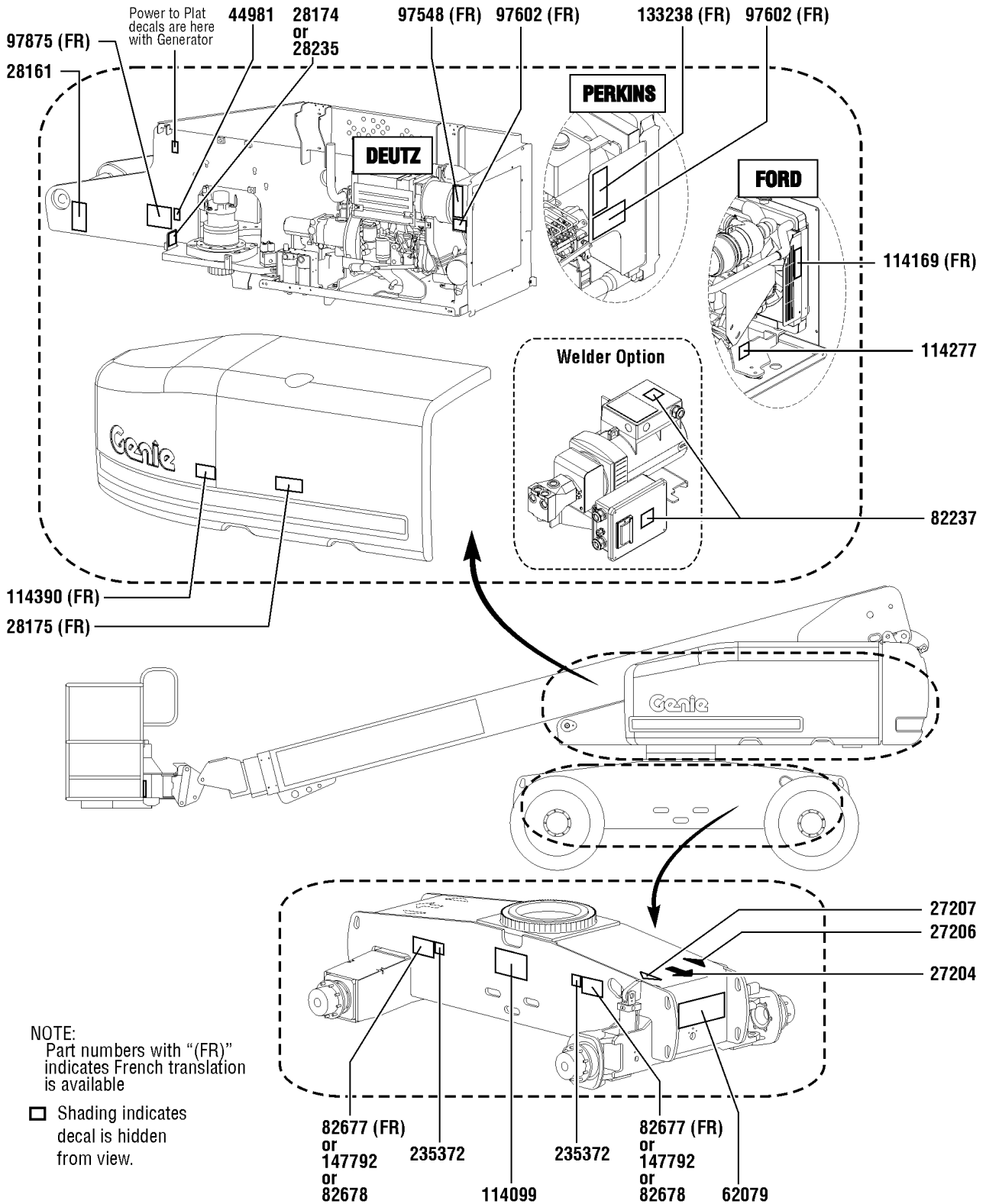


109.1 S-65 Decals with Word, Hydraulic Tank Side (ANSI & Australia)

Item	Part No.	Description	Qty.	Item	Part No.	Description	Qty.
1	25994	DECAL,NOTICE,SHUTOFF VALVES.....	1	24	114099	DECAL,LABEL,TRANSPORT DIAGRAM.....	1
2	27205	DECAL,ARROW YELLOW LRG 9".....	1	25	114219	DECAL,LABEL,RELAYS,S60&65.....	1
3	27206	DECAL,TRIANGLE,BLUE.....	1	26	114258	DECAL,DANGER,NO SMOKING.....	1
4	27207	DECAL,TRIANGLE,YELLOW.....	1	27	114389	DECAL,DANGER,GENERAL SAFETY.....	1
5	28158	DECAL,LABEL,UNLEADED GAS ONLY.....	1	28	114390	DECAL,DANGER,ELECT HAZARD***.....	1
6	28159	DECAL,DIESEL.....	1	29	114465	DECAL GROUND CONTROL BOX.....	1
7	28160	DECAL,LABEL,LIQUID PROPANE..... <i>Option, LPG tank</i>	1	30	133278	DECAL,LOW/ULTRA LOW SULFR FUEL..... <i>Diesel models only</i>	1
8	28161	DECAL,WARN,CRUSH HAZARD HAND.....	1	31	147792	DANGER,TIPOVR,TIRES FF ONLY..... <i>AUS only</i>	2
9	29104	DECAL,TOWING INSTRUCTIONS..... <i>Option, tow package</i>	1	32	227288	DECAL, OPERATING INSTRUCTIONS..... <i>AUS only</i>	1
10	31788	DECAL,DANGER,BATTERY SAFETY***.....	1	33	235372	DECAL,LABEL,WHEEL LOAD S65.....	2
11	38149	DECAL,LABEL,PATENTS..... <i>US only</i>	1	34	1000014	DECAL,NOTICE,OPER INST.S60..... <i>ANSI only</i>	1
12	47041	DECAL,CAUTION,TOWING SPEED..... <i>Option, tow package</i>	1				
13	52607	DECAL,LABEL,TEST***..... <i>Ford only</i>	1				
14	52865	DECAL,ANNUAL INSP***..... <i>ANSI only</i>	1				
15	52966	DECAL,COSMETIC,4 X 2.....	1				
16	52967	DECAL,COSMETIC,4 X 4.....	1				
17	72168	DECAL,LABEL,STARTER BATTERY.....	1				
18	72169	DECAL,LABEL,CONTROLS BATTERY.....	1				
19	72999	DECAL,LABEL,PETRO CANADA***.....	1				
20	82161	DECAL,LABEL,UCON HYDROLUBE.....	1				
21	82366	DECAL,CHEVRON RANDO HD.....	1				
22	82677	DECAL,DANGER/LABEL,TIRE SPECS..... <i>ANSI only</i>	2				
23	82678	DECAL,DANGER,HI-FLOAT TIRE 60*..... <i>Option, Hi-floatation</i>	2				



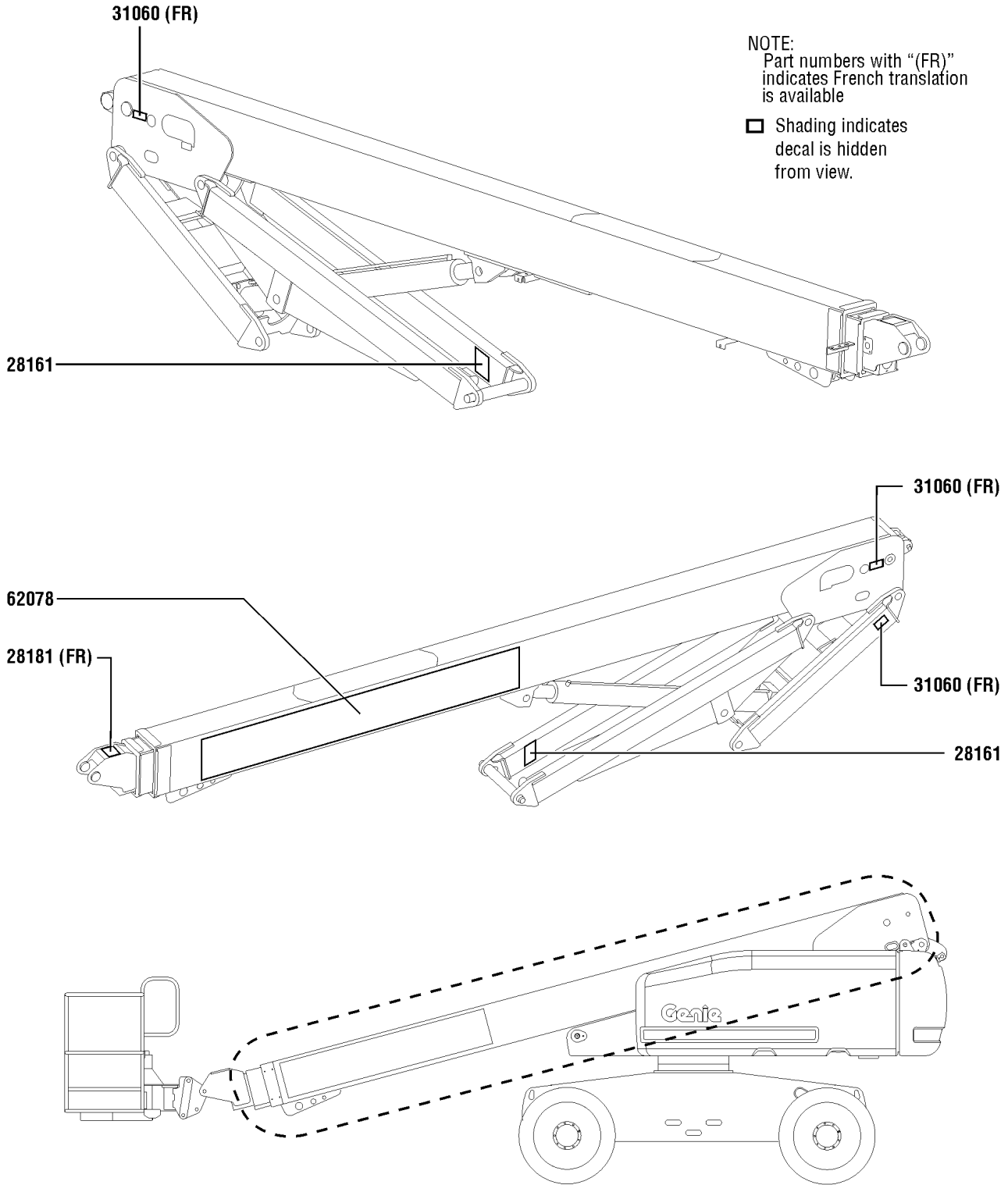
110.1 S-65 Decals with Word, Engine Side (ANSI & Australia)



110.1 S-65 Decals with Word, Engine Side (ANSI & Australia)

Item	Part No.	Description	Qty.
1	27204	DECAL,ARROW BLUE.....	1
2	27206	DECAL,TRIANGLE,BLUE.....	1
3	27207	DECAL,TRIANGLE,YELLOW.....	1
4	28161	DECAL,WARN,CRUSH HAZARD HAND.....	1
5	28174	DECAL,POWER TO PLATFORM 230V.....	1
6	28175	DECAL,COMPARTMENT ACCESS.....	1
7	28235	DECAL,POWER TO PLATFORM 115V.....	1
8	44981	DECAL,LABEL,AIRLINE 110 PSI..... <i>Option, airline to plat</i>	1
9	62079	DECAL,COSMETIC,S65.....	1
10	82237	DECAL,DANGER,HIGH VOLTAGE..... <i>Option, welder</i>	2
11	82677	DECAL,DANGER/LABEL,TIRE SPECS..... <i>ANSI only</i>	2
12	82678	DECAL,DANGER,HI-FLOAT TIRE 60*.....	2
13	97548	DECAL,ENGINE SPEC,DEUTZ 2011.....	1
14	97602	DECAL,EXPLOSION HAZARD.....	1
15	97875	DECAL,WARN.WELD LINE INST.WORD..... <i>Option, weld cable line</i>	1
16	114099	DECAL,LABEL,TRANSPORT DIAGRAM.....	1
17	114169	DECAL,FORD ENGINE SPEC DSG423.....	1
18	114277	DECAL,LABEL,BELT ROUTING DSG.....	1
19	114390	DECAL,DANGER,ELECT HAZARD***.....	1
20	133238	DECAL,ENGINE SPEC,PERKINS***.....	1
21	147792	DANGER,TIPOVR,TIRES FF ONLY..... <i>AUS only</i>	2
22	235372	DECAL,LABEL,WHEEL LOAD S65.....	2

111.1 S-65 Decals with Word, Boom (ANSI & Australia)

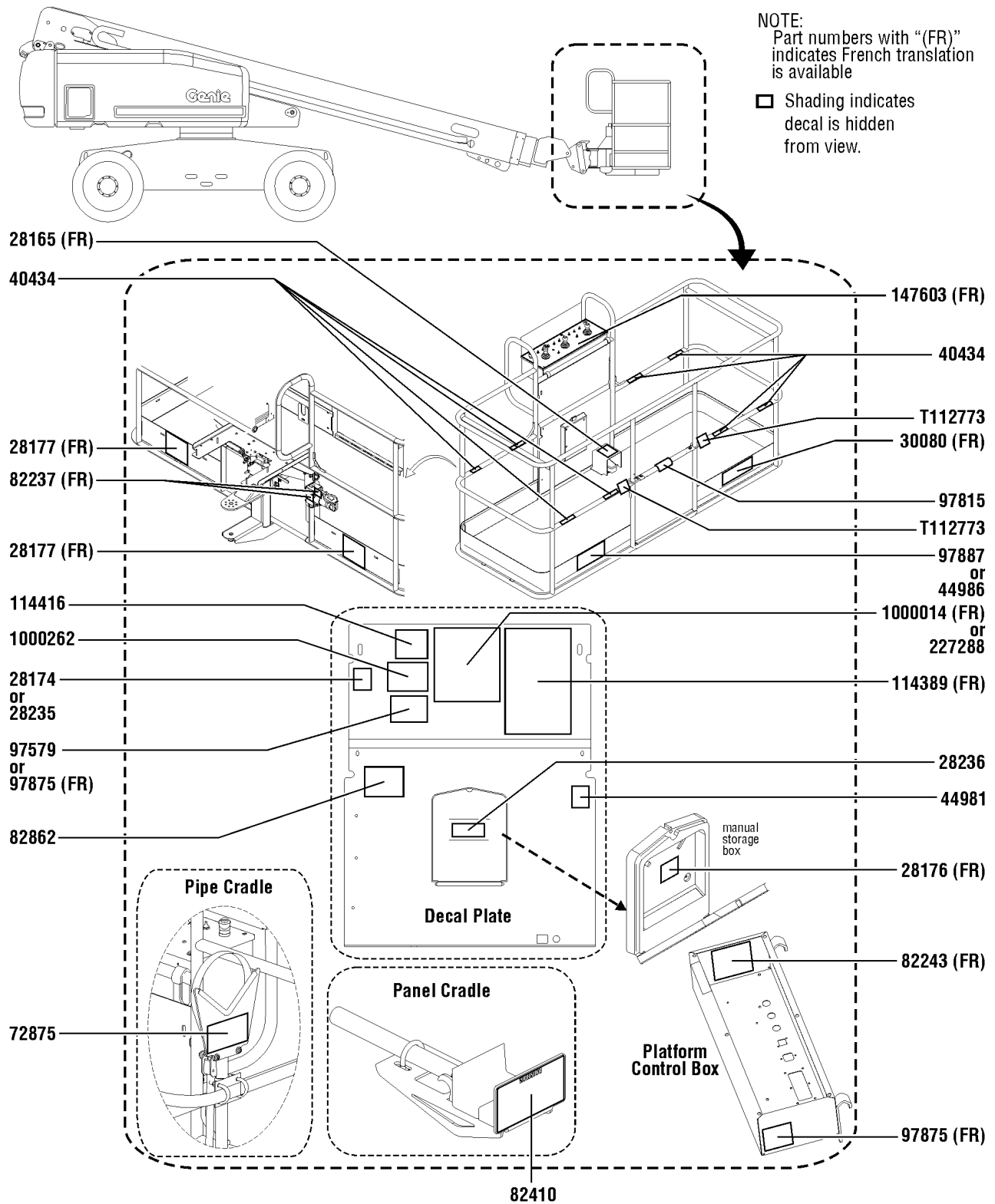


111.1 S-65 Decals with Word, Boom (ANSI & Australia)

Item	Part No.	Description	Qty.
1	28161	DECAL,WARN,CRUSH HAZARD HAND.....	2
2	28181	DECAL,WARN,FALL HAZARD.....	1
3	31060	DECAL,DANGER DO NOT ALTER SWTC.....	3
4	62078	DECAL,COSMETIC,GENIE S65.....	1



112.1 S-65 Decals with Word, Platform (ANSI & Australia)

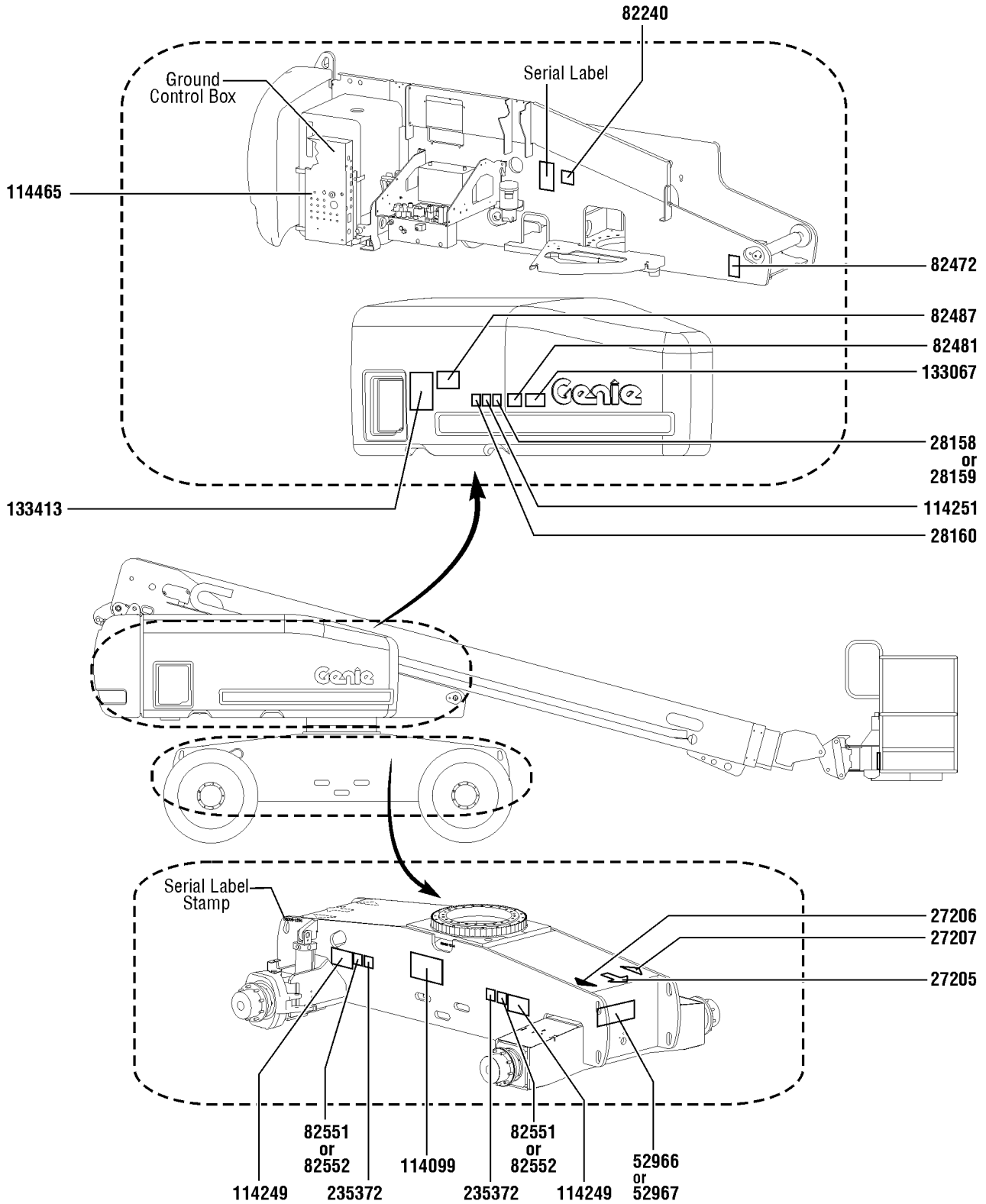


112.1 S-65 Decals with Word, Platform (ANSI & Australia)

Item	Part No.	Description	Qty.	Item	Part No.	Description	Qty.
1	28165	DECAL,INSTRUCT,FOOTSWITCH OPER.....	1	23	227288	DECAL, OPERATING INSTRUCTIONS.....	1
2	28174	DECAL,POWER TO PLATFORM 230V.....	1			<i>AUS only</i>	
3	28176	DECAL,LABEL,MANUAL NOT HERE.....	1	24	1000014	DECAL,NOTICE,OPER INST.S60....	1
4	28177	DECAL,WARN,CRUSH HAZARD PLAT.....	2			<i>ANSI only</i>	
5	28235	DECAL,POWER TO PLATFORM 115V.....	1	25	1000262	DECAL,DANGER,TIP OVER,PLAT.....	1
6	28236	DECAL,WARN,IMPROPER OPERATION.....	1	26	T112773	TAPE, PROTECTIVE MASK.....	2
7	30080	DECAL,NOTICE,MAX LOAD 500 LBS.....	1				
8	40434	DECAL,LANYARD ANCHORAGE POINT.....	8				
9	44981	DECAL,LABEL,AIRLINE 110 PSI.....	1				
		<i>Option, airline to plat</i>					
10	44986	DECAL,INSTR,SIDE FRC/WIND,AUS.....	1				
		<i>AUS only</i>					
11	72875	DECAL,WARNING,PIPE CRADLE,BOOM.....	2				
		<i>Option, pipe cradle</i>					
12	82237	DECAL,DANGER,HIGH VOLTAGE.....	2				
		<i>Option, welder</i>					
13	82243	DECAL FAULT CODE.....	1				
14	82410	DECAL,WARNING,PANEL CRADLE.....	2				
		<i>Option, panel cradle</i>					
15	82862	DECAL,FIRE EXTINGUISHER.....	1				
		<i>Option, welder</i>					
16	97579	DECAL,DANGER,TIP-OVER,WELDER**.	1				
		<i>Option, welder</i>					
17	97815	DECAL,LABEL,LOWER MIDRAIL....	1				
18	97875	DECAL,WARN.WELD LINE INST.WORD.....	2				
		<i>Option, weld cable line</i>					
19	97887	DECAL,INSTR,MAX SIDE FRC,ANSI.....	1				
		<i>ANSI/CSA only</i>					
20	114389	DECAL,DANGER,GENERAL SAFETY.....	1				
21	114416	DECAL,DANGER,TIPOVER,TILT....	1				
22	147603	DECAL, PLAT CNTL PNL.....	1				



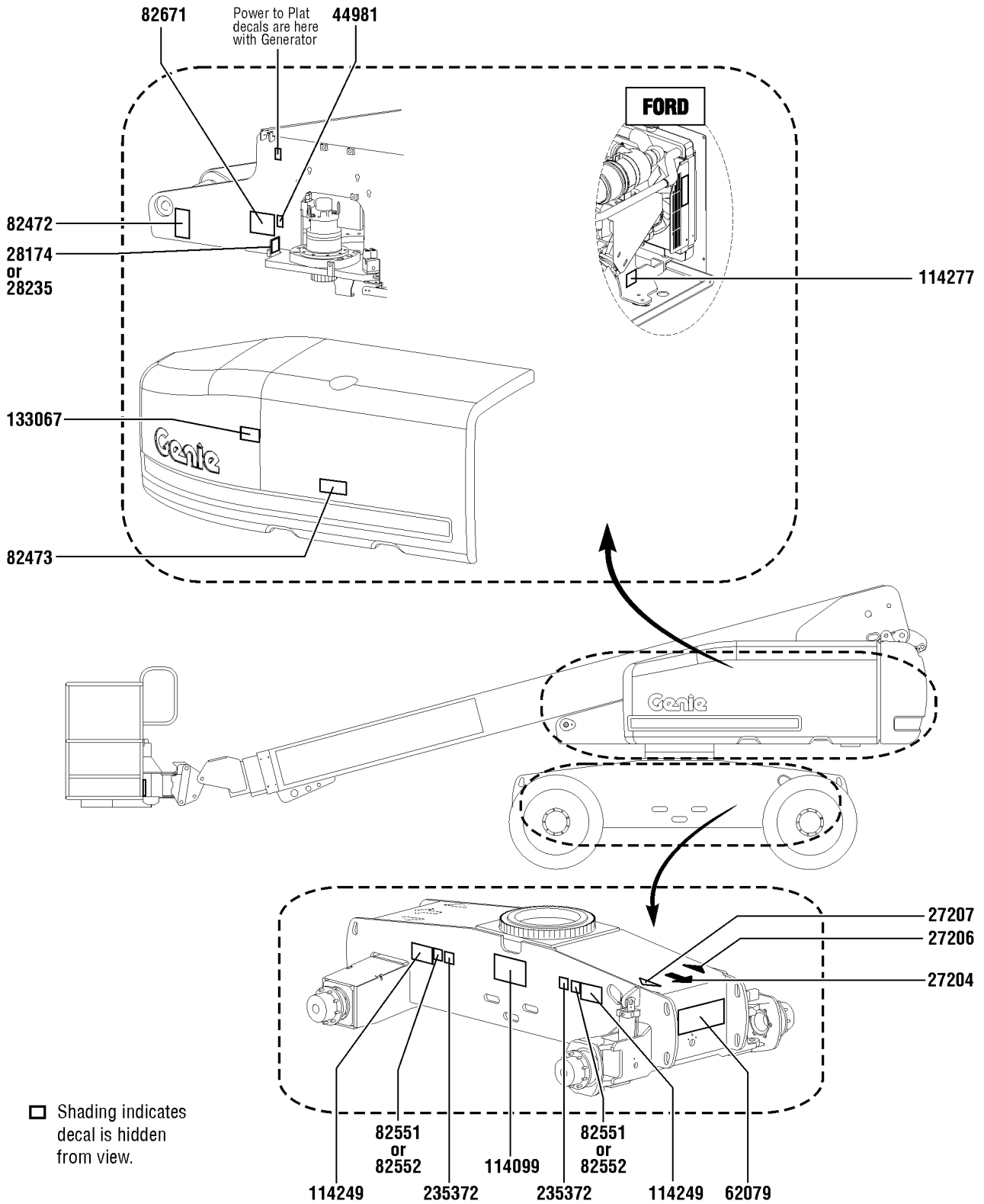
113.1 S-65 Decals with Symbol, Hydraulic Tank Side (ANSI & CE)



113.1 S-65 Decals with Symbol, Hydraulic Tank Side (ANSI & CE)

Item	Part No.	Description	Qty.
1	27205	DECAL,ARROW YELLOW LRG 9".....	1
2	27206	DECAL,TRIANGLE,BLUE.....	1
3	27207	DECAL,TRIANGLE,YELLOW.....	1
4	28158	DECAL,LABEL,UNLEADED GAS ONLY.....	1
5	28159	DECAL,DIESEL.....	1
6	28160	DECAL,LABEL,LIQUID PROPANE..... <i>Option, LPG tank</i>	1
7	52966	DECAL,COSMETIC,4 X 2.....	1
8	52967	DECAL,COSMETIC,4 X 4.....	1
9	82240	DECAL,LABEL,105 DB.....	1
10	82472	DECAL,WARNING,CRUSHING HAZARD.....	1
11	82481	DECAL,SYMBOL-BATTERY SAFETY.....	1
12	82487	DECAL,SYMBOL-READ THE MANUAL.....	1
13	82551	DECAL,LABEL,TIRE PRESSURE S60.....	2
14	82552	DECAL,LABEL,TIRE PRESS HF S60..... <i>Option, hi-floatation tires</i>	2
15	114099	DECAL,LABEL,TRANSPORT DIAGRAM.....	1
16	114249	DECAL,LABEL,TIPOVER,TIRES,SYMB.	2
17	114251	DECAL,LABEL,NO SMOKING,SYMB.....	1
18	114465	DECAL GROUND CONTROL BOX.....	1
19	133067	DECAL,DANGER,ELEC.HAZ.STAY CLR.....	1
20	133413	DECAL,EMERGENCY LOWERING..... <i>CE only</i>	1
21	235372	DECAL,LABEL,WHEEL LOAD S65.....	2

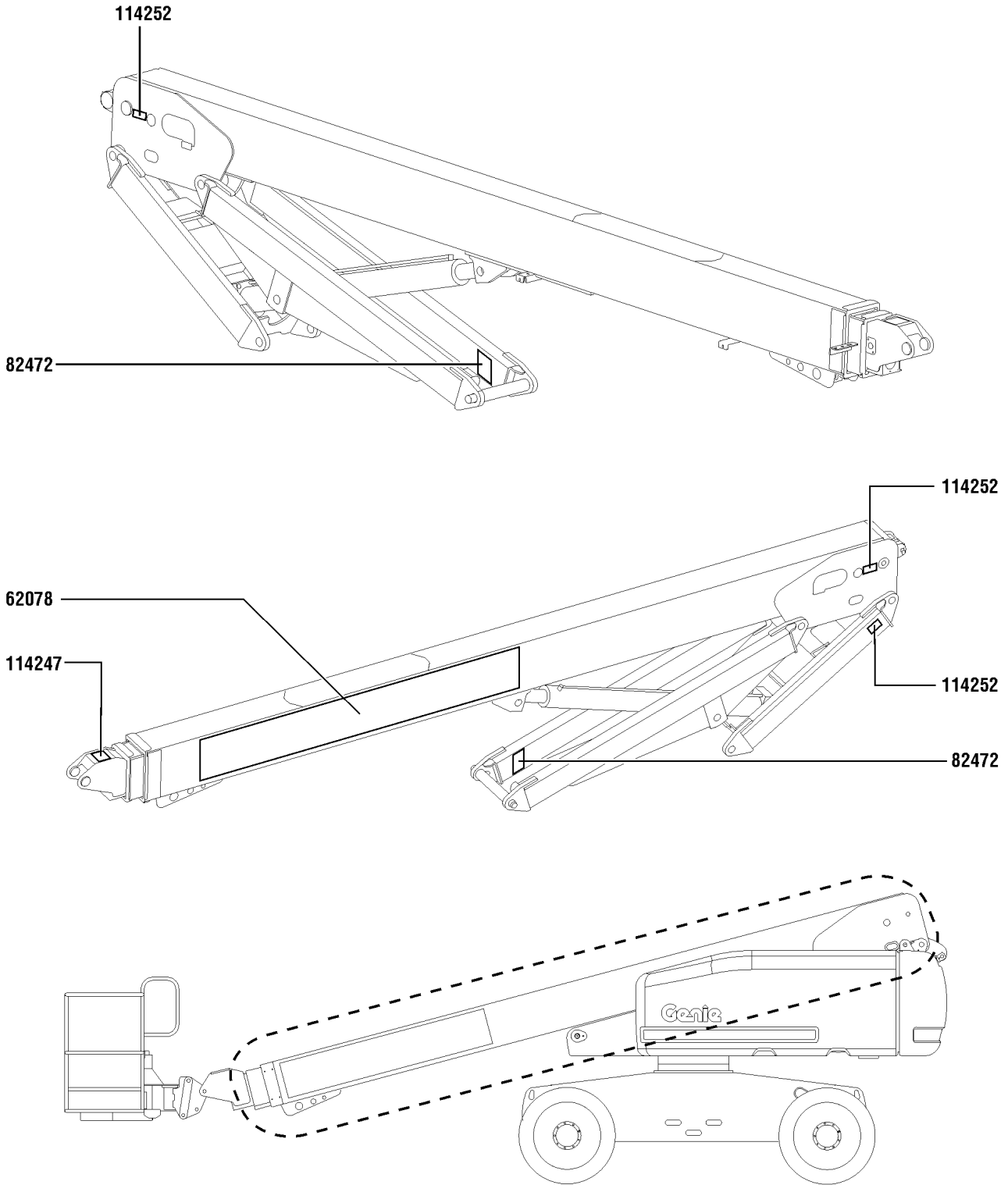
114.1 S-65 Decals with Symbol, Engine Side (ANSI & CE)



114.1 S-65 Decals with Symbol, Engine Side (ANSI & CE)

Item	Part No.	Description	Qty.
1	27204	DECAL,ARROW BLUE.....	1
2	27206	DECAL,TRIANGLE,BLUE.....	1
3	27207	DECAL,TRIANGLE,YELLOW.....	1
4	28174	DECAL,POWER TO PLATFORM 230V.....	1
5	28235	DECAL,POWER TO PLATFORM 115V.....	1
6	44981	DECAL,LABEL,AIRLINE 110 PSI..... <i>Option, airline to plat</i>	1
7	62079	DECAL,COSMETIC,S65.....	1
8	82472	DECAL,WARNING,CRUSHING HAZARD.....	1
9	82473	DECAL,SYMBOL-COMP ACCESS.....	1
10	82551	DECAL,LABEL,TIRE PRESSURE S60.....	2
11	82552	DECAL,LABEL,TIRE PRESS HF S60..... <i>Option, hi-floatation tires</i>	2
12	82671	DECAL,LABEL,WELD LINE INST,SYM.....	1
13	114099	DECAL,LABEL,TRANSPORT DIAGRAM.....	1
14	114249	DECAL,LABEL,TIPOVER,TIRES,SYMB.2	
15	114277	DECAL,LABEL,BELT ROUTING DSG.....	1
16	133067	DECAL,DANGER,ELEC.HAZ.STAY CLR.....	1
17	235372	DECAL,LABEL,WHEEL LOAD S65.....	2

115.1 S-65 Decals with Symbol, Boom (ANSI & CE)

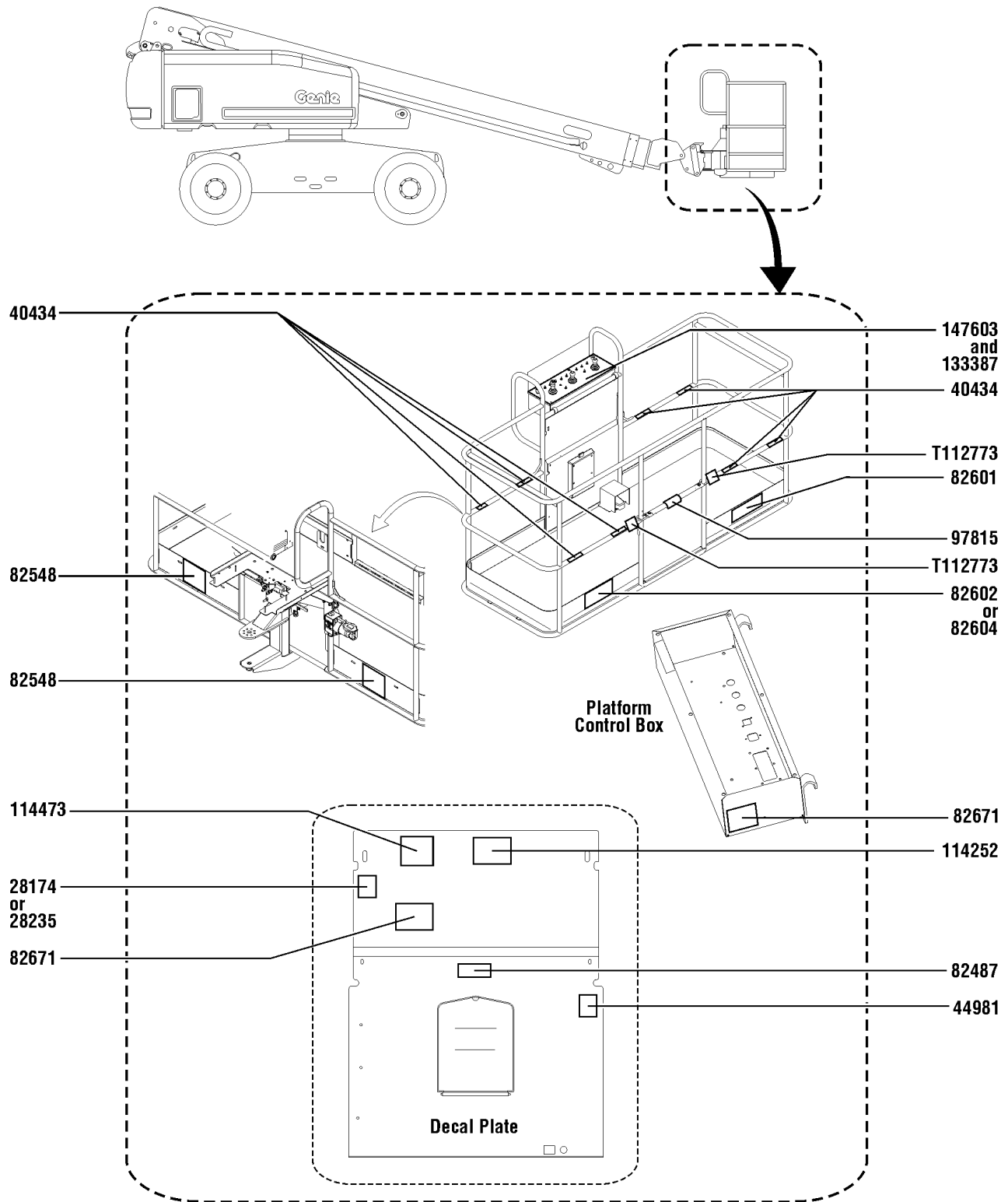


115.1 S-65 Decals with Symbol, Boom (ANSI & CE)

Item	Part No.	Description	Qty.
1	62078	DECAL,COSMETIC,GENIE S65.....1	
2	82472	DECAL,WARNING,CRUSHING HAZARD.....2	
3	114247	DECAL,LABEL,FALL HAZARD***1	
4	114252	DECAL,LABEL,TIP OVER LMT SWTCH.....3	



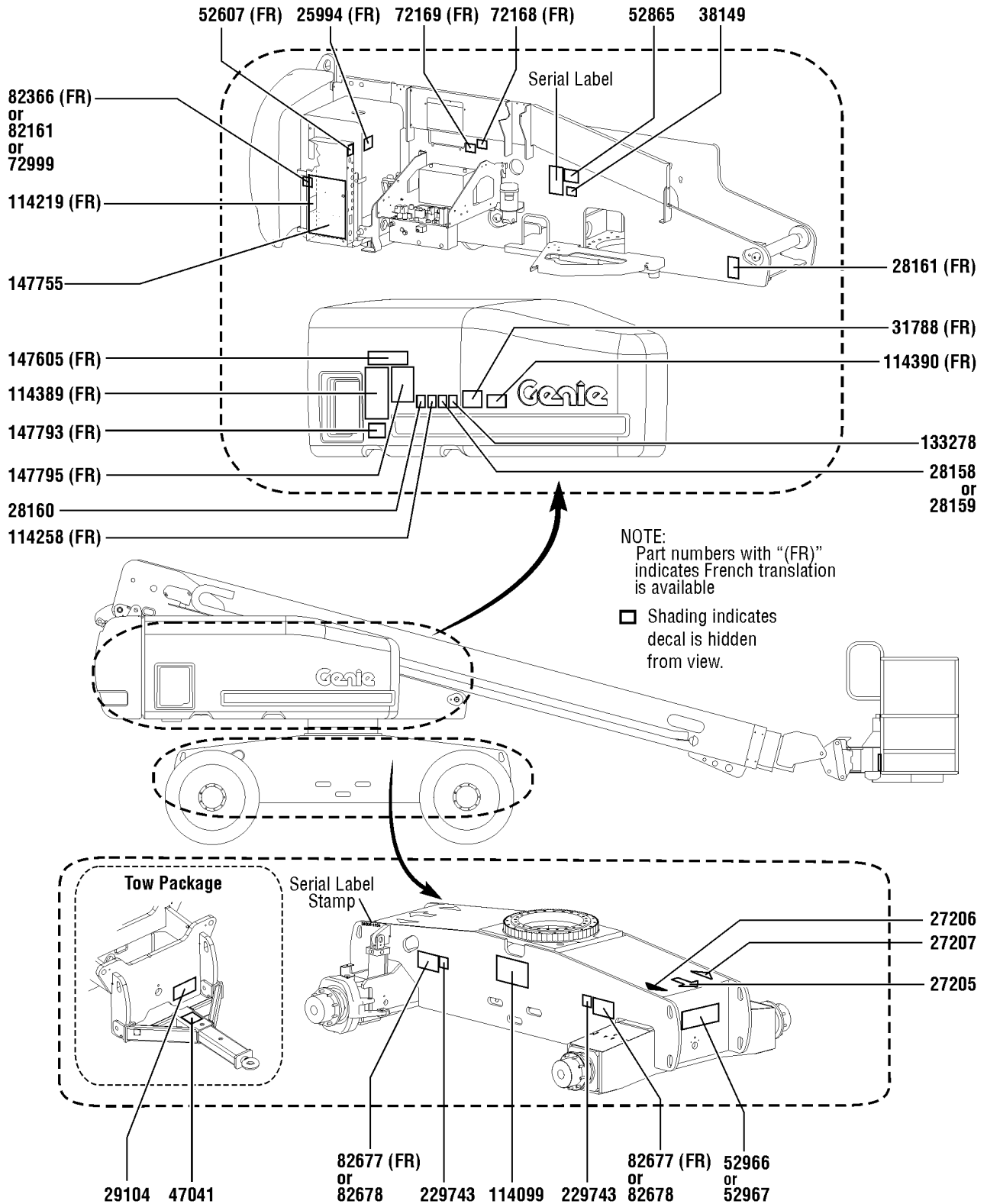
116.1 S-65 Decals with Symbol, Platform (ANSI & CE)



116.1 S-65 Decals with Symbol, Platform (ANSI & CE)

Item	Part No.	Description	Qty.
1	28174	DECAL,POWER TO PLATFORM 230V.....	1
2	28235	DECAL,POWER TO PLATFORM 115V.....	1
3	40434	DECAL,LANYARD ANCHORAGE POINT.....	8
4	44981	DECAL,LABEL,AIRLINE 110 PSI..... <i>Option, airline to plat</i>	1
5	82487	DECAL,SYMBOL-READ THE MANUAL.....	1
6	82548	DECAL,WARN,CRUSH HAZARD PLAT.....	2
7	82601	DECAL,LABEL,MAX CAPACITY***.....	1
8	82602	DECAL,DANGER,MAX SIDE FRC,667N..... <i>ANSI only</i>	1
9	82604	DECAL,DANGER,SIDE FRC 400N..... <i>CE only</i>	1
10	82671	DECAL,LABEL,WELD LINE INST,SYM..... <i>Option, weld cable line</i>	2
11	97815	DECAL,LABEL,LOWER MIDRAIL....	1
12	114252	DECAL,LABEL,TIP OVER LMT SWTCH.....	1
13	114473	DECAL,DANGER,TIPOVER,TILT,SYM.	1
14	133387	DECAL,DRIVE ENABLE PATCH....	1
15	147603	DECAL, PLAT CNTL PNL.....	1
16	T112773	TAPE, PROTECTIVE MASK.....	2

117.1 S-60X Decals with Word, Hydraulic Tank Side (ANSI)

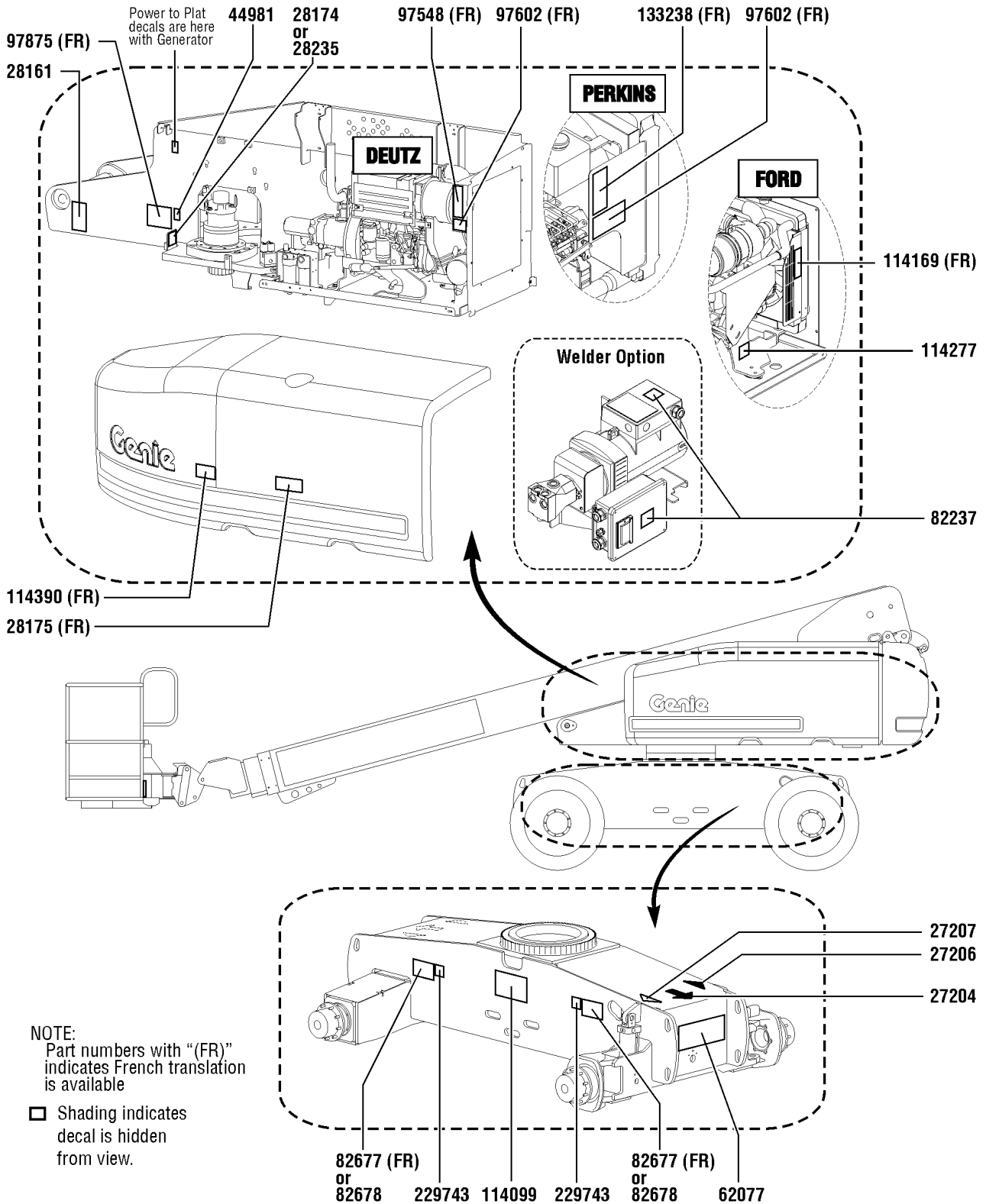


117.1 S-60X Decals with Word, Hydraulic Tank Side (ANSI)

Item	Part No.	Description	Qty.	Item	Part No.	Description	Qty.
1	25994	DECAL,NOTICE,SHUTOFF VALVES.....	1	26	114258	DECAL,DANGER,NO SMOKING.....	1
2	27205	DECAL,ARROW YELLOW LRG 9".....	1	27	114389	DECAL,DANGER,GENERAL SAFETY.....	1
3	27206	DECAL,TRIANGLE,BLUE.....	1	28	114390	DECAL,DANGER,ELECT HAZARD***.....	1
4	27207	DECAL,TRIANGLE,YELLOW.....	1	29	133278	DECAL,LOW/ULTRA LOW SULFR FUEL.....	1
5	28158	DECAL,LABEL,UNLEADED GAS ONLY.....	1			<i>Diesel models only</i>	
6	28159	DECAL,DIESEL.....	1	30	147605	DECAL,INST PLAT CAP 60X.....	1
7	28160	DECAL,LABEL,LIQUID PROPANE.....	1	31	147755	DECAL,GR CNTL PNL 60X 80X.....	1
		<i>Option, LPG tank</i>		32	147793	DANGER, TIPOVR, MAX CAP.....	1
8	28161	DECAL,WARN,CRUSH HAZARD HAND.....	1	33	147795	DECAL, OPER INST 6080X GRD....	1
9	29104	DECAL,TOWING INSTRUCTIONS.....	1	34	229743	DECAL,LABEL,WHEEL LOAD S60/60X.....	2
		<i>Option, tow package</i>					
10	31788	DECAL,DANGER,BATTERY SAFETY***.....	1				
11	38149	DECAL,LABEL,PATENTS.....	1				
12	47041	DECAL,CAUTION,TOWING SPEED.....	1				
		<i>Option, tow package</i>					
13	52607	DECAL,LABEL,TEST***.....	1				
		<i>Ford only</i>					
14	52865	DECAL,ANNUAL INSP***.....	1				
15	52966	DECAL,COSMETIC,4 X 2.....	1				
16	52967	DECAL,COSMETIC,4 X 4.....	1				
17	72168	DECAL,LABEL,STARTER BATTERY.....	1				
18	72169	DECAL,LABEL,CONTROLS BATTERY.....	1				
19	72999	DECAL,LABEL,PETRO CANADA***.....	1				
20	82161	DECAL,LABEL,UCON HYDROLUBE.....	1				
21	82366	DECAL,CHEVRON RANDO HD.....	1				
22	82677	DECAL,DANGER/LABEL,TIRE SPECS.....	2				
23	82678	DECAL,DANGER,HI-FLOAT TIRE 60*.....	2				
		<i>Option, hi-floatation tires</i>					
24	114099	DECAL,LABEL,TRANSPORT DIAGRAM.....	1				
25	114219	DECAL,LABEL,RELAYS,S60&65.....	1				



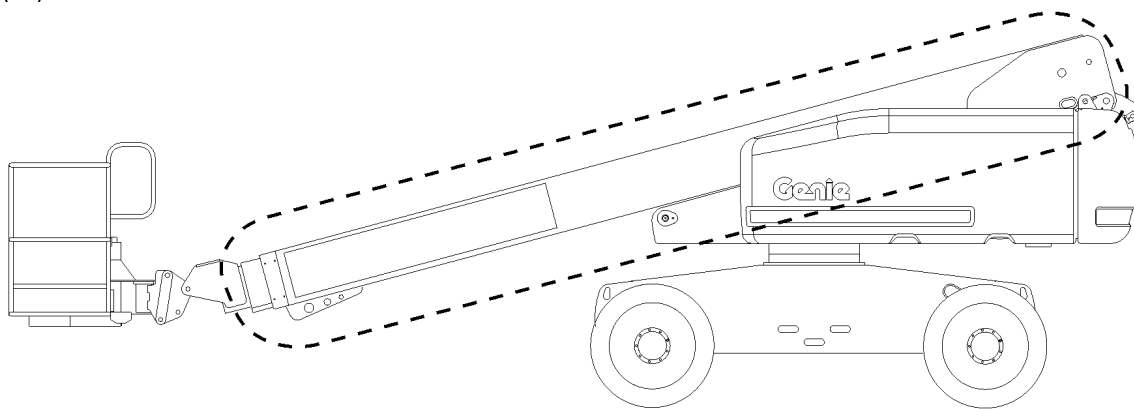
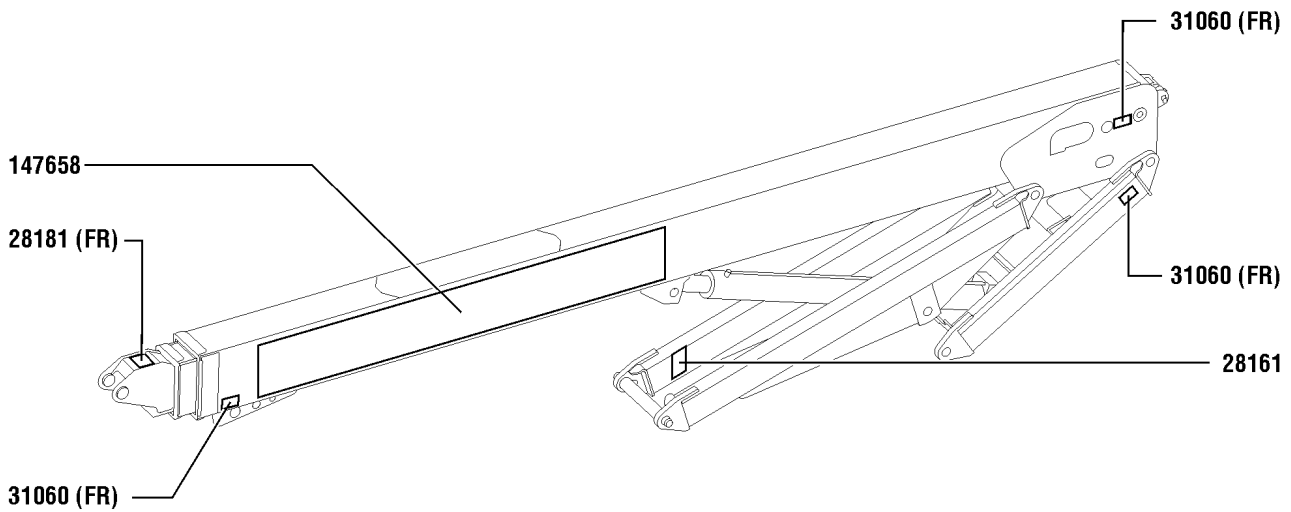
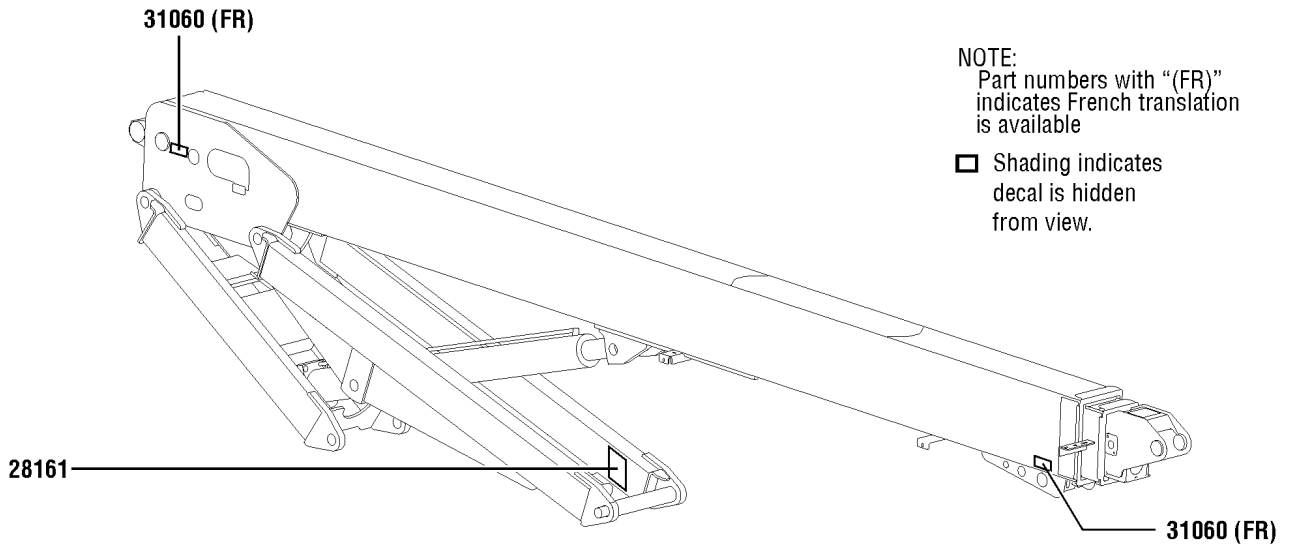
118.1 S-60X Decals with Word, Engine Side (ANSI)



118.1 S-60X Decals with Word, Engine Side (ANSI)

Item	Part No.	Description	Qty.
1	27204	DECAL,ARROW BLUE.....	1
2	27206	DECAL,TRIANGLE,BLUE.....	1
3	27207	DECAL,TRIANGLE,YELLOW.....	1
4	28161	DECAL,WARN,CRUSH HAZARD HAND.....	1
5	28174	DECAL,POWER TO PLATFORM 230V.....	1
6	28175	DECAL,COMPARTMENT ACCESS.....	1
7	28235	DECAL,POWER TO PLATFORM 115V.....	1
8	44981	DECAL,LABEL,AIRLINE 110 PSI..... <i>Option, airline to plat</i>	1
9	62077	DECAL,COSMETIC,S60.....	1
10	82237	DECAL,DANGER,HIGH VOLTAGE..... <i>Option, welder</i>	2
11	82677	DECAL,DANGER/LABEL,TIRE SPECS.....	2
12	82678	DECAL,DANGER,HI-FLOAT TIRE 60*..... <i>Option, hi-floatation tires</i>	2
13	97548	DECAL,ENGINE SPEC,DEUTZ 2011.....	1
14	97602	DECAL,EXPLOSION HAZARD.....	1
15	97875	DECAL,WARN.WELD LINE INST.WORD..... <i>Option, weld cable line</i>	1
16	114099	DECAL,LABEL,TRANSPORT DIAGRAM.....	1
17	114169	DECAL,FORD ENGINE SPEC DSG423.....	1
18	114277	DECAL,LABEL,BELT ROUTING DSG.....	1
19	114390	DECAL,DANGER,ELECT HAZARD***.....	1
20	133238	DECAL,ENGINE SPEC,PERKINS***.....	1
21	229743	DECAL,LABEL,WHEEL LOAD S60/60X.....	2

119.1 S-60X Decals with Word, Boom (ANSI)

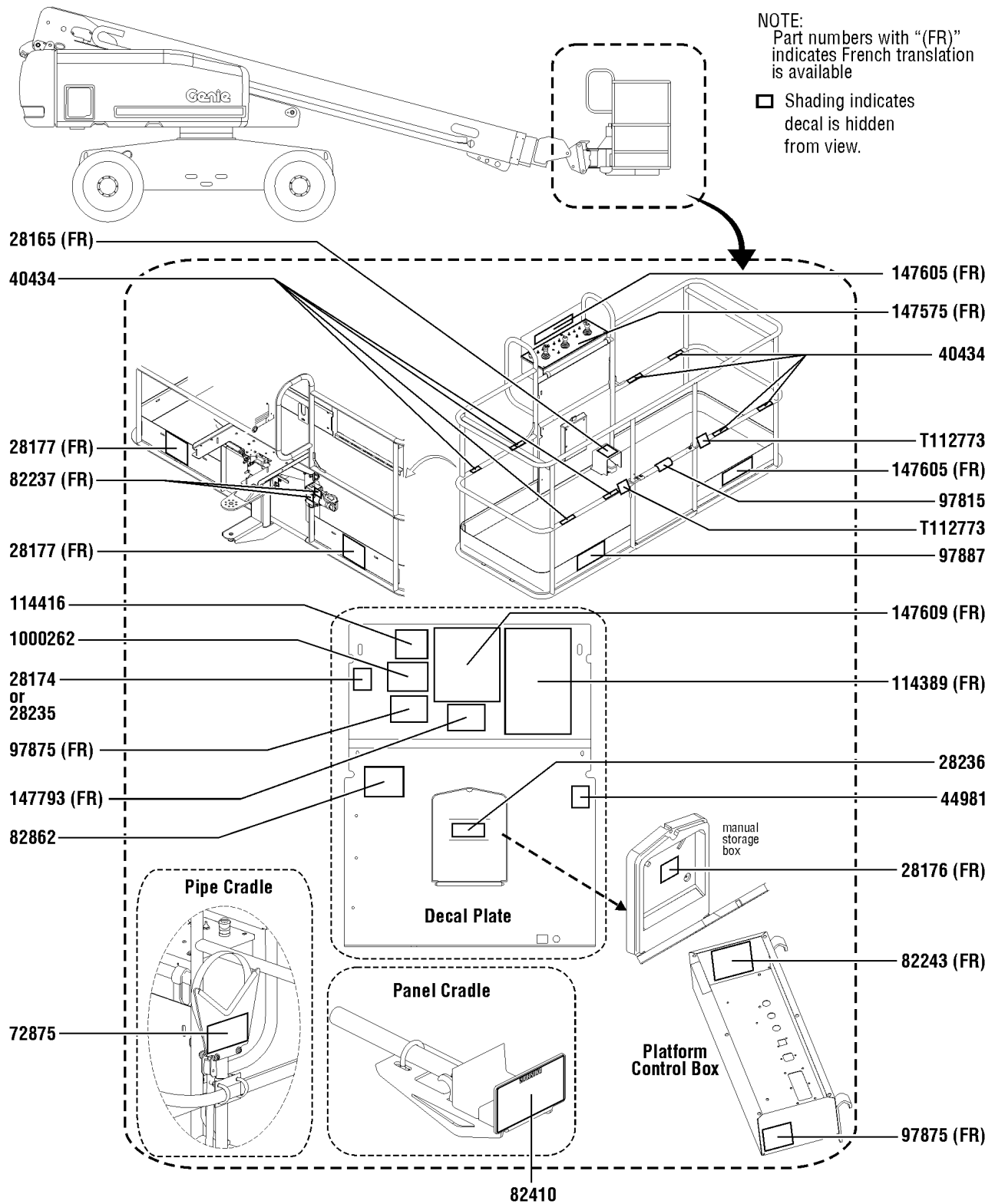


119.1 S-60X Decals with Word, Boom (ANSI)

Item	Part No.	Description	Qty.
1	28161	DECAL,WARN,CRUSH HAZARD HAND.....	2
2	28181	DECAL,WARN,FALL HAZARD.....	1
3	31060	DECAL,DANGER DO NOT ALTER SWTC.....	5
4	147658	DECAL,COSM GENIE S60X.....	1



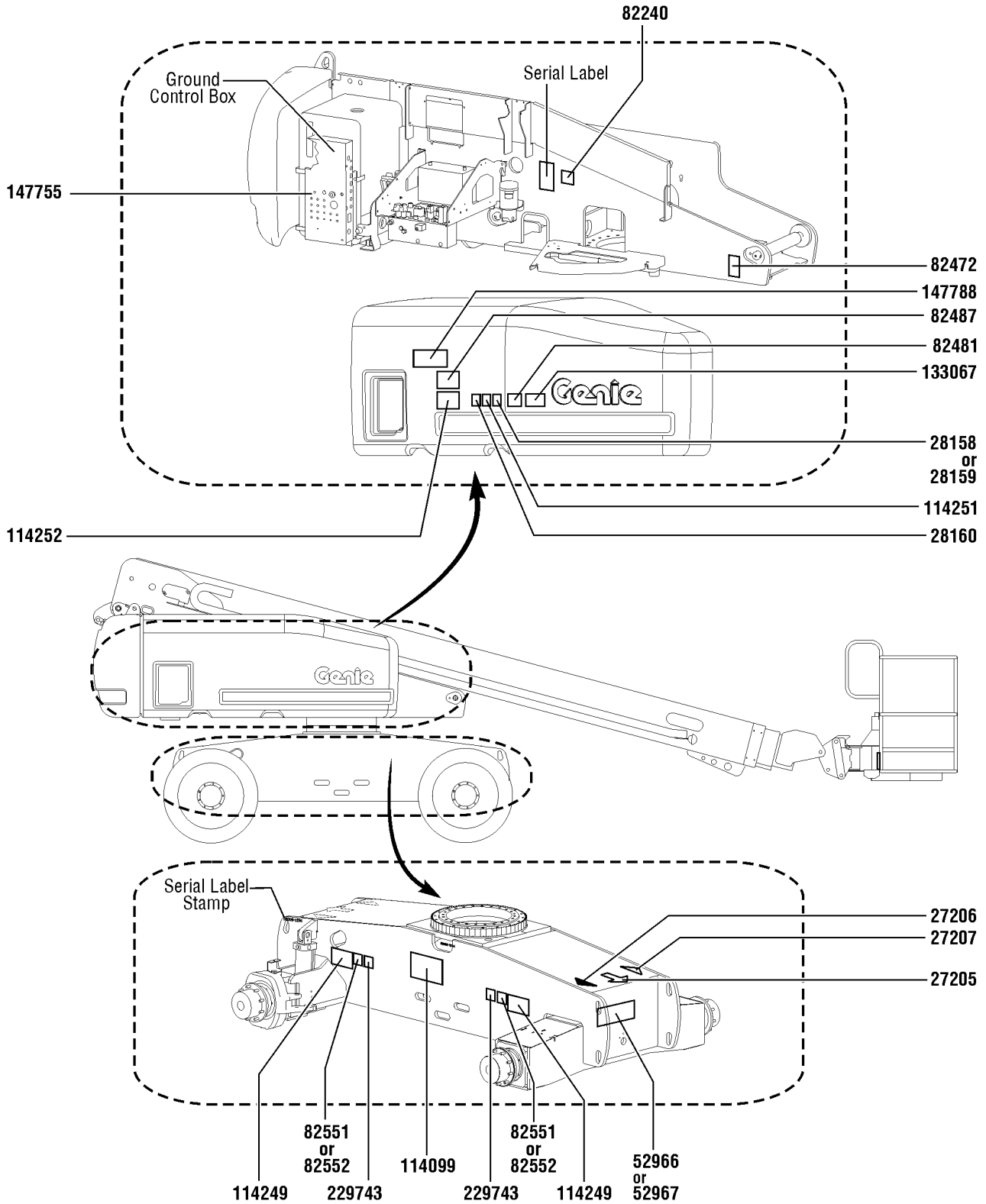
120.1 S-60X Decals with Word, Platform (ANSI)



120.1 S-60X Decals with Word, Platform (ANSI)

Item	Part No.	Description	Qty.
1	28165	DECAL,INSTRUCT,FOOTSWITCH OPER.....	1
2	28174	DECAL,POWER TO PLATFORM 230V.....	1
3	28176	DECAL,LABEL,MANUAL NOT HERE.....	1
4	28177	DECAL,WARN,CRUSH HAZARD PLAT.....	2
5	28235	DECAL,POWER TO PLATFORM 115V.....	1
6	28236	DECAL,WARN,IMPROPER OPERATION.....	1
7	40434	DECAL,LANYARD ANCHORAGE POINT.....	8
8	44981	DECAL,LABEL,AIRLINE 110 PSI..... <i>Option, airline to plat</i>	1
9	72875	DECAL,WARNING,PIPE CRADLE,BOOM..... <i>Option, pipe cradle</i>	2
10	82237	DECAL,DANGER,HIGH VOLTAGE..... <i>Option, welder</i>	2
11	82243	DECAL FAULT CODE.....	1
12	82410	DECAL,WARNING,PANEL CRADLE..... <i>Option, panel cradle</i>	2
13	82862	DECAL,FIRE EXTINGUISHER..... <i>Option, welder</i>	1
14	97815	DECAL,LABEL,LOWER MIDRAIL....	1
15	97875	DECAL,WARN.WELD LINE INST.WORD..... <i>Option, weld cable line</i>	2
16	97887	DECAL,INSTR,MAX SIDE FRC,ANSI.....	1
17	114389	DECAL,DANGER,GENERAL SAFETY.....	1
18	114416	DECAL,DANGER,TIPOVER,TILT.....	1
19	147575	DECAL, PLAT CNTL PNL 60X 80X.....	1
20	147605	DECAL,INST PLAT CAP 60X.....	2
21	147609	DECAL, INST, OPER INST 60X PLT.....	1
22	147793	DANGER, TIPOVR, MAX CAP.....	1
23	1000262	DECAL,DANGER,TIP OVER,PLAT.....	1
24	T112773	TAPE, PROTECTIVE MASK.....	2

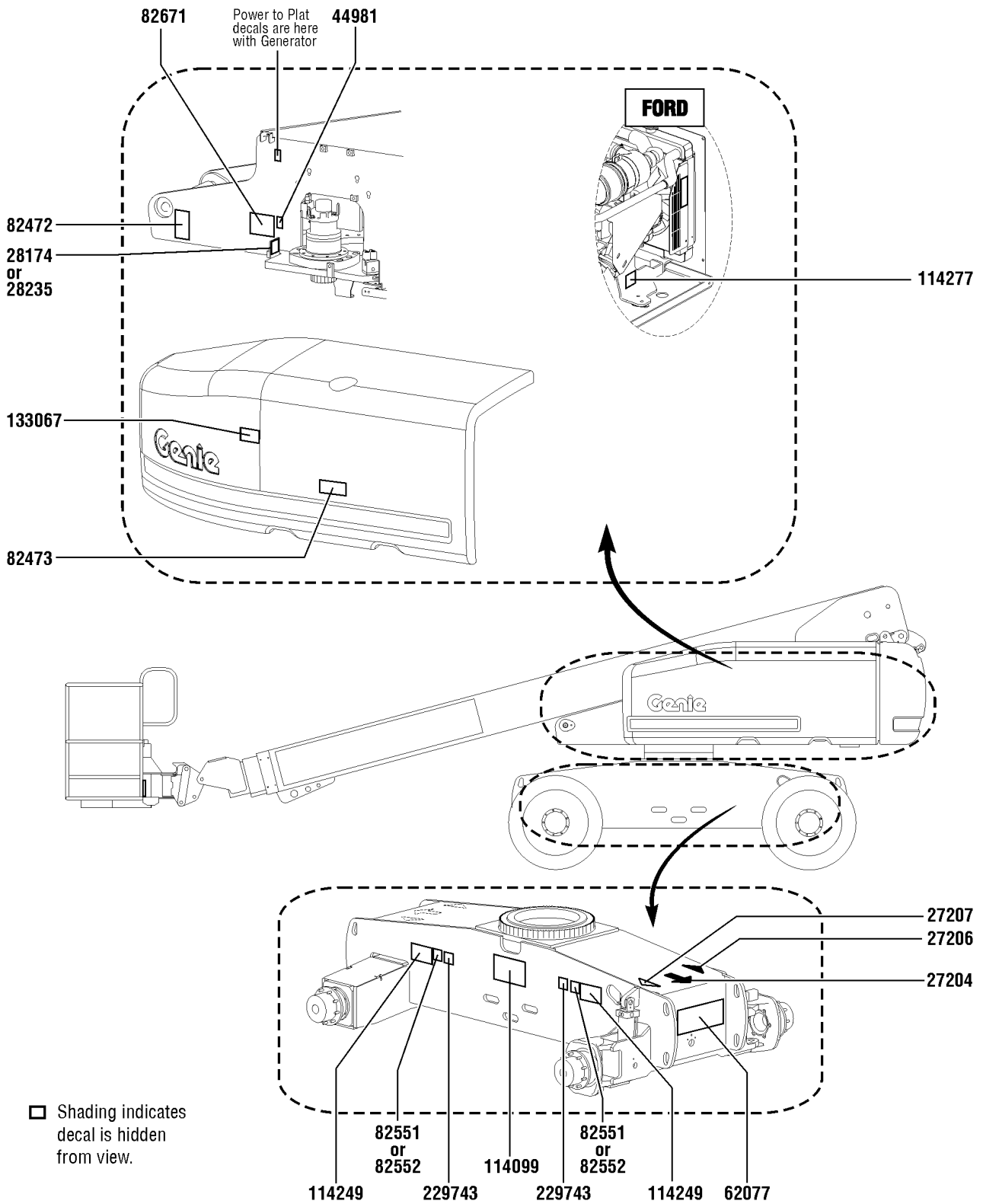
121.1 S-60X Decals with Symbol, Hydraulic Tank Side (ANSI)



121.1 S-60X Decals with Symbol, Hydraulic Tank Side (ANSI)

Item	Part No.	Description	Qty.
1	27205	DECAL,ARROW YELLOW LRG 9".....	1
2	27206	DECAL,TRIANGLE,BLUE.....	1
3	27207	DECAL,TRIANGLE,YELLOW.....	1
4	28158	DECAL,LABEL,UNLEADED GAS ONLY.....	1
5	28159	DECAL,DIESEL.....	1
6	28160	DECAL,LABEL,LIQUID PROPANE..... <i>Option, LPG tank</i>	1
7	52966	DECAL,COSMETIC,4 X 2.....	1
8	52967	DECAL,COSMETIC,4 X 4.....	1
9	82240	DECAL,LABEL,105 DB.....	1
10	82472	DECAL,WARNING,CRUSHING HAZARD.....	1
11	82481	DECAL,SYMBOL-BATTERY SAFETY.....	1
12	82551	DECAL,LABEL,TIRE PRESSURE S60.....	2
13	82552	DECAL,LABEL,TIRE PRESS HF S60..... <i>Option, hi-floatation tires</i>	2
14	114099	DECAL,LABEL,TRANSPORT DIAGRAM.....	1
15	114249	DECAL,LABEL,TIPOVER,TIRES,SYMB.	2
16	114251	DECAL,LABEL,NO SMOKING,SYMB.....	1
17	114252	DECAL,LABEL,TIP OVER LMT SWTCH.....	1
18	133067	DECAL,DANGER,ELEC.HAZ.STAY CLR.....	1
19	147755	DECAL,GR CNTL PNL 60X 80X.....	1
20	147788	DECAL,INST PLAT CAPACITY,SYM.....	1
21	229743	DECAL,LABEL,WHEEL LOAD S60/60X.....	2

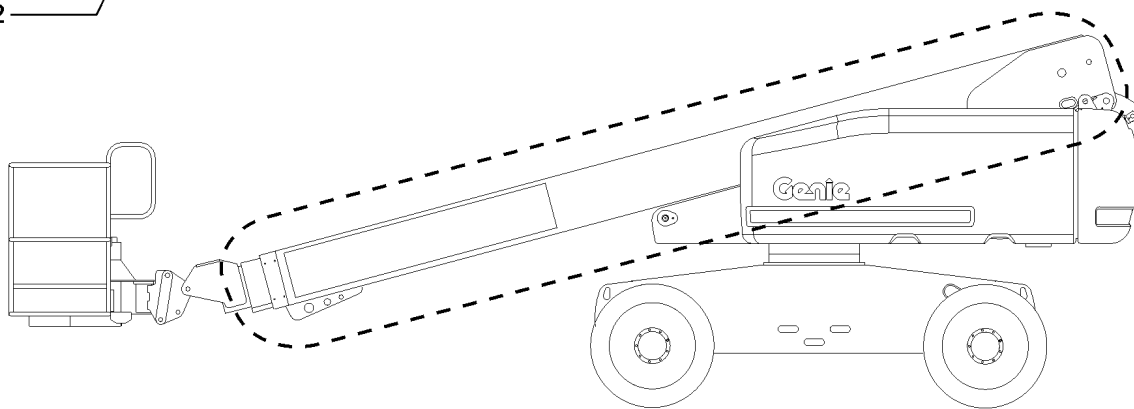
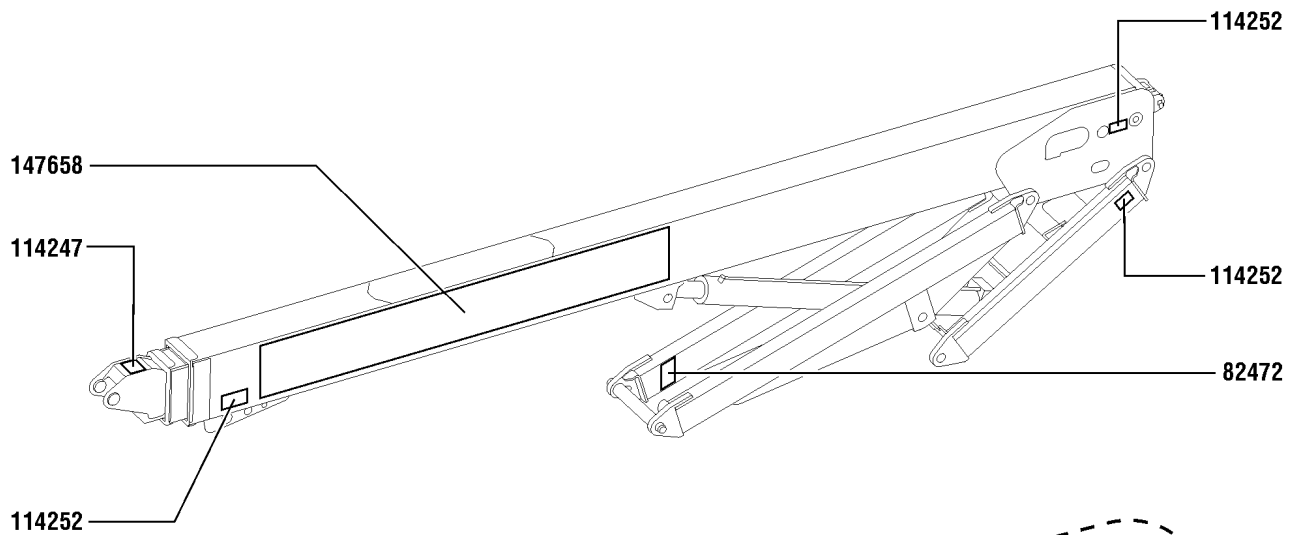
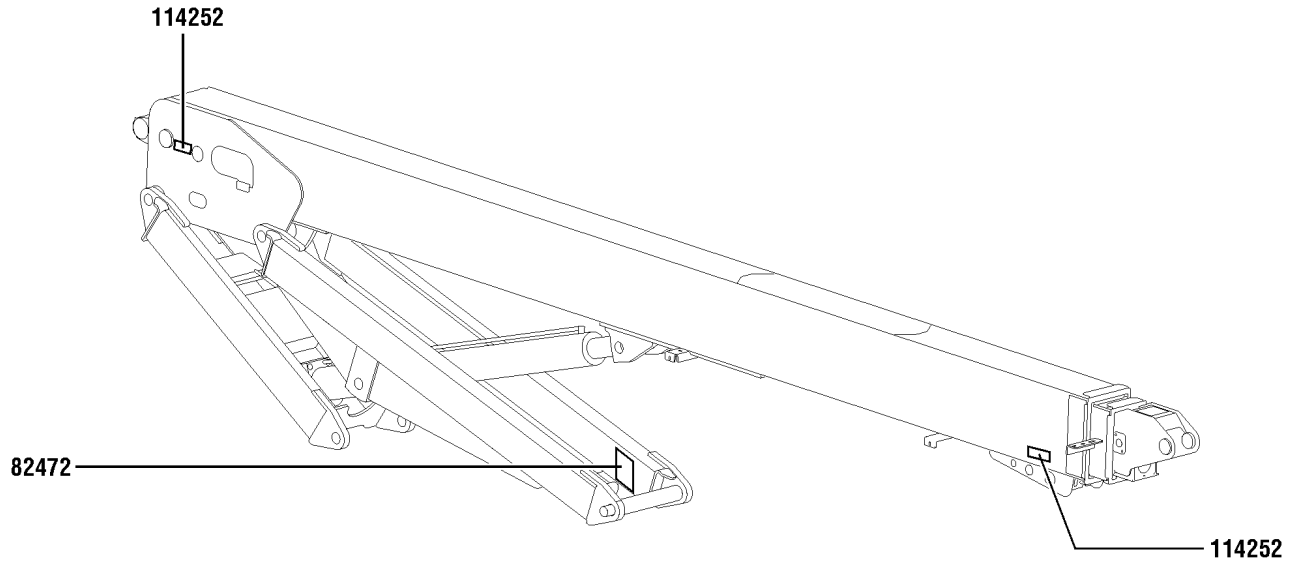
122.1 S-60X Decals with Symbol, Engine Side (ANSI)



122.1 S-60X Decals with Symbol, Engine Side (ANSI)

Item	Part No.	Description	Qty.
1	25235	WELDMENT, NON-OSCILLATING AXLE.....	1
2	27204	DECAL, ARROW BLUE.....	1
3	27206	DECAL, TRIANGLE, BLUE.....	1
4	27207	DECAL, TRIANGLE, YELLOW.....	1
5	28174	DECAL, POWER TO PLATFORM 230V.....	1
6	44981	DECAL, LABEL, AIRLINE 110 PSI..... <i>Option, airline to plat</i>	1
7	62077	DECAL, COSMETIC, S60.....	1
8	82472	DECAL, WARNING, CRUSHING HAZARD.....	1
9	82473	DECAL, SYMBOL-COMP ACCESS.....	1
10	82551	DECAL, LABEL, TIRE PRESSURE S60.....	2
11	82552	DECAL, LABEL, TIRE PRESS HF S60..... <i>Option, hi-floatation tires</i>	2
12	82671	DECAL, LABEL, WELD LINE INST, SYM..... <i>Option, weld cable line</i>	1
13	114099	DECAL, LABEL, TRANSPORT DIAGRAM.....	1
14	114249	DECAL, LABEL, TIPOVER, TIRES, SYMB.2	
15	114277	DECAL, LABEL, BELT ROUTING DSG.....	1
16	133067	DECAL, DANGER, ELEC. HAZ. STAY CLR.....	1
17	229743	DECAL, LABEL, WHEEL LOAD S60/60X.....	2

123.1 S-60X Decals with Symbol, Boom (ANSI)

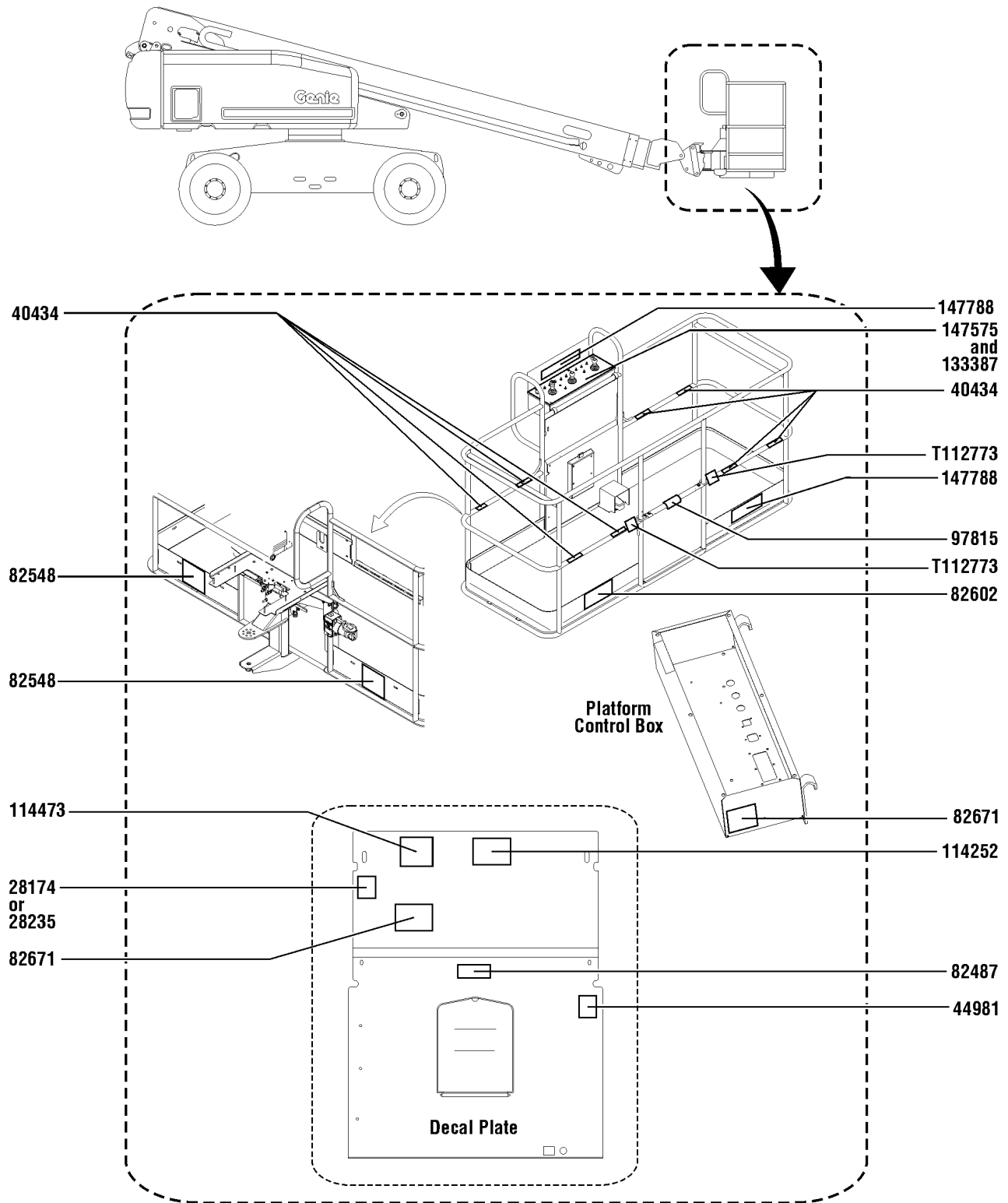


123.1 S-60X Decals with Symbol, Boom (ANSI)

Item	Part No.	Description	Qty.
1	82472	DECAL,WARNING,CRUSHING HAZARD.....	2
2	114247	DECAL,LABEL,FALL HAZARD***	1
3	114252	DECAL,LABEL,TIP OVER LMT SWTCH.....	5
4	147658	DECAL,COSM GENIE S60X.....	1



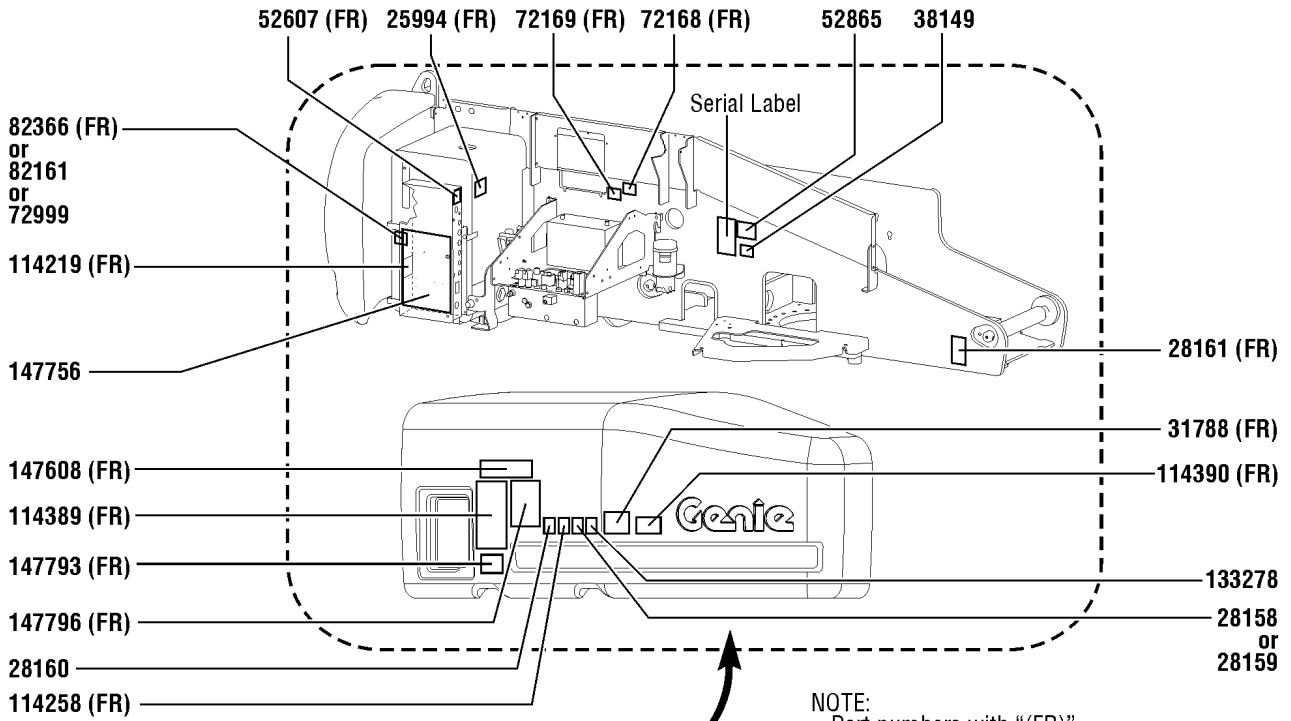
124.1 S-60X Decals with Symbol, Platform (ANSI)



124.1 S-60X Decals with Symbol, Platform (ANSI)

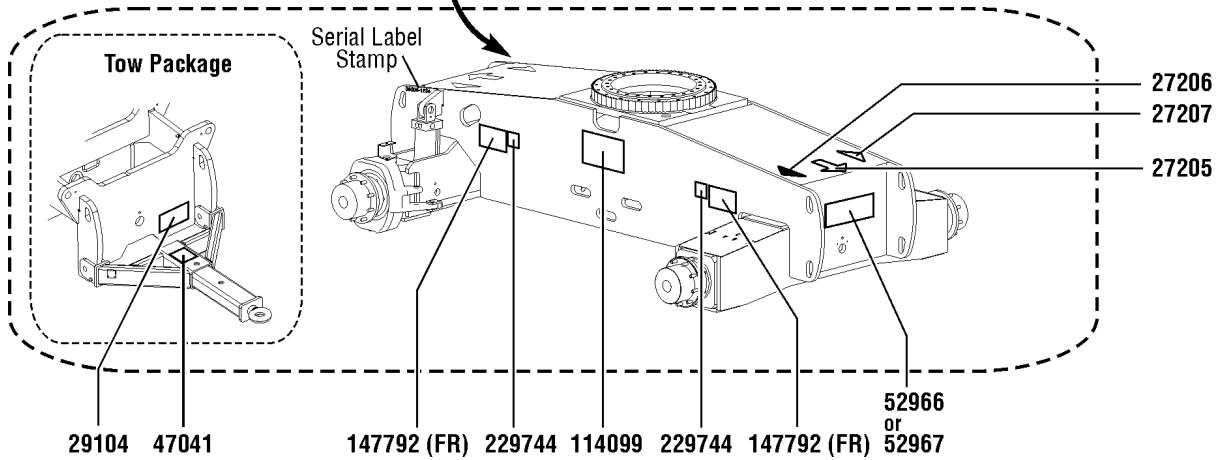
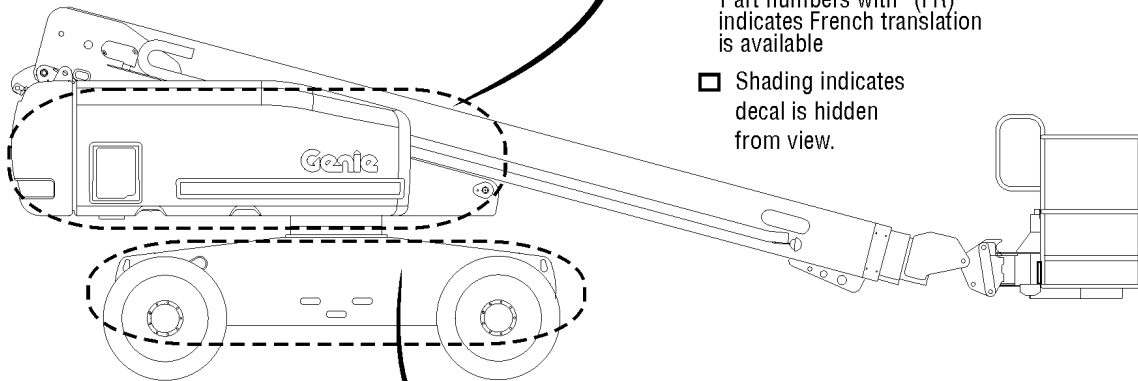
Item	Part No.	Description	Qty.
1	28174	DECAL,POWER TO PLATFORM 230V.....	1
2	28235	DECAL,POWER TO PLATFORM 115V.....	1
3	40434	DECAL,LANYARD ANCHORAGE POINT.....	8
4	44981	DECAL,LABEL,AIRLINE 110 PSI..... <i>Option, airline to plat</i>	1
5	82487	DECAL,SYMBOL-READ THE MANUAL.....	1
6	82548	DECAL,WARN,CRUSH HAZARD PLAT.....	2
7	82602	DECAL,DANGER,MAX SIDE FRC,667N.....	1
8	82671	DECAL,LABEL,WELD LINE INST,SYM..... <i>Option, weld cable line</i>	2
9	97815	DECAL,LABEL,LOWER MIDRAIL....	1
10	114252	DECAL,LABEL,TIP OVER LMT SWTCH.....	1
11	114473	DECAL,DANGER,TIPOVER,TILT,SYM.	1
12	133387	DECAL,DRIVE ENABLE PATCH.....	1
13	147575	DECAL, PLAT CNTL PNL 60X 80X.....	1
14	147788	DECAL,INST PLAT CAPACITY,SYM.....	2
15	T112773	TAPE, PROTECTIVE MASK.....	2

125.1 S-60XC Decals with Word, Hydraulic Tank Side (ANSI)



NOTE:
Part numbers with "(FR)" indicates French translation is available

☐ Shading indicates decal is hidden from view.

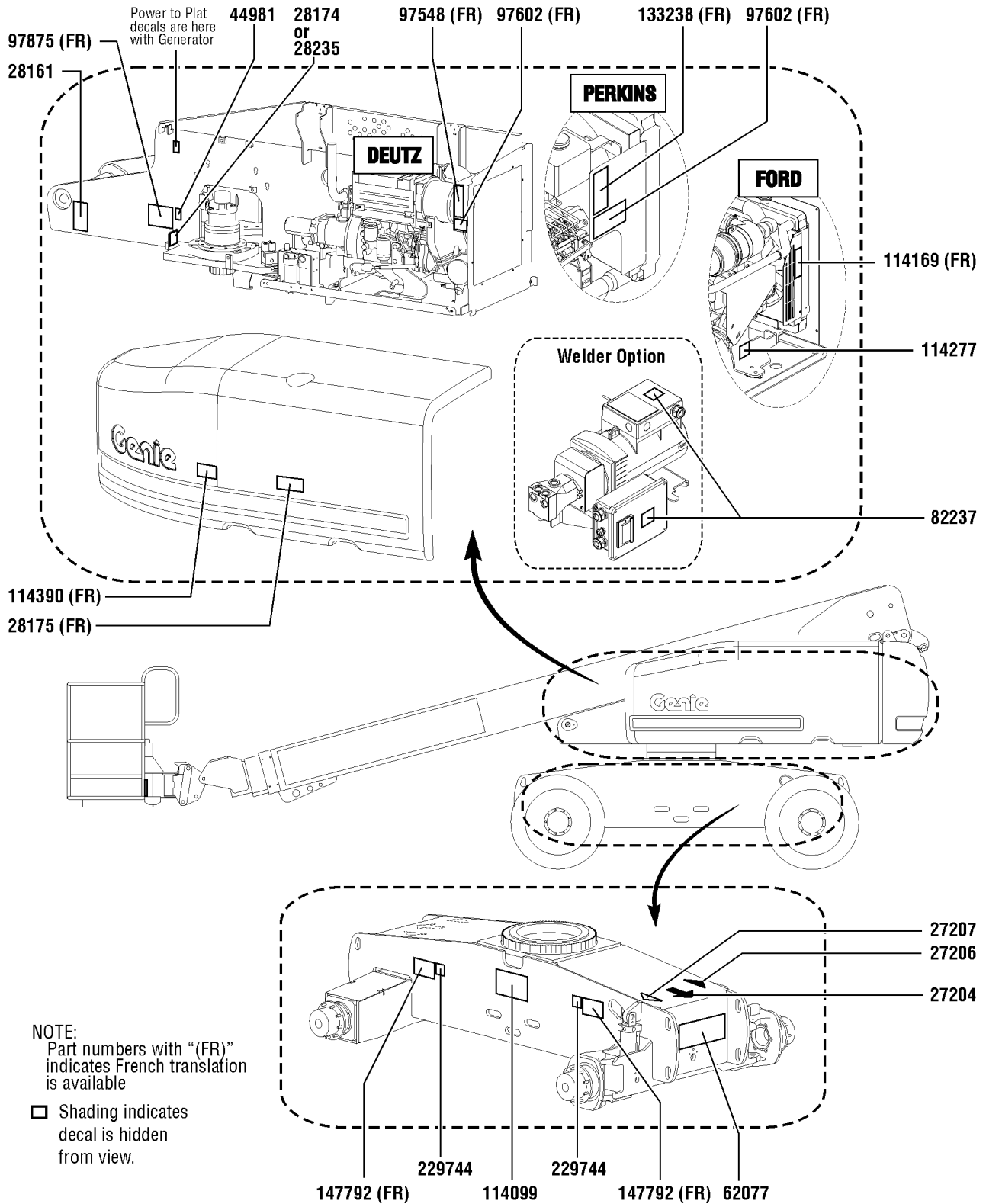


125.1 S-60XC Decals with Word, Hydraulic Tank Side (ANSI)

Item	Part No.	Description	Qty.	Item	Part No.	Description	Qty.
1	25994	DECAL,NOTICE,SHUTOFF VALVES.....	1	27	133278	DECAL,LOW/ULTRA LOW SULFR FUEL..... <i>Diesel models only</i>	1
2	27205	DECAL,ARROW YELLOW LRG 9".....	1	28	147608	DECAL,INST PLAT CAP 60XC.....	1
3	27206	DECAL,TRIANGLE,BLUE.....	1	29	147756	DECAL,GR CNTL PNL 60XC.....	1
4	27207	DECAL,TRIANGLE,YELLOW.....	1	30	147792	DANGER,TIPOVR,TIRES FF ONLY.....	2
5	28158	DECAL,LABEL,UNLEADED GAS ONLY.....	1	31	147793	DANGER, TIPOVR, MAX CAP.....	1
6	28159	DECAL,DIESEL.....	1	32	147796	DECAL, OPER INST 60XC GRD.....	1
7	28160	DECAL,LABEL,LIQUID PROPANE..... <i>Option, LPG tank</i>	1	33	229744	DECAL,LABEL,WHEEL LOAD S60H/XC.....	2
8	28161	DECAL,WARN,CRUSH HAZARD HAND.....	1				
9	29104	DECAL,TOWING INSTRUCTIONS..... <i>Option, tow package</i>	1				
10	31788	DECAL,DANGER,BATTERY SAFETY***.....	1				
11	38149	DECAL,LABEL,PATENTS.....	1				
12	47041	DECAL,CAUTION,TOWING SPEED..... <i>Option, tow package</i>	1				
13	52607	DECAL,LABEL,TEST***..... <i>Ford only</i>	1				
14	52865	DECAL,ANNUAL INSP***.....	1				
15	52966	DECAL,COSMETIC,4 X 2.....	1				
16	52967	DECAL,COSMETIC,4 X 4.....	1				
17	72168	DECAL,LABEL,STARTER BATTERY.....	1				
18	72169	DECAL,LABEL,CONTROLS BATTERY.....	1				
19	72999	DECAL,LABEL,PETRO CANADA***.....	1				
20	82161	DECAL,LABEL,UCON HYDROLUBE.....	1				
21	82366	DECAL,CHEVRON RANDO HD.....	1				
22	114099	DECAL,LABEL,TRANSPORT DIAGRAM.....	1				
23	114219	DECAL,LABEL,RELAYS,S60&65.....	1				
24	114258	DECAL,DANGER,NO SMOKING.....	1				
25	114389	DECAL,DANGER,GENERAL SAFETY.....	1				
26	114390	DECAL,DANGER,ELECT HAZARD***.....	1				



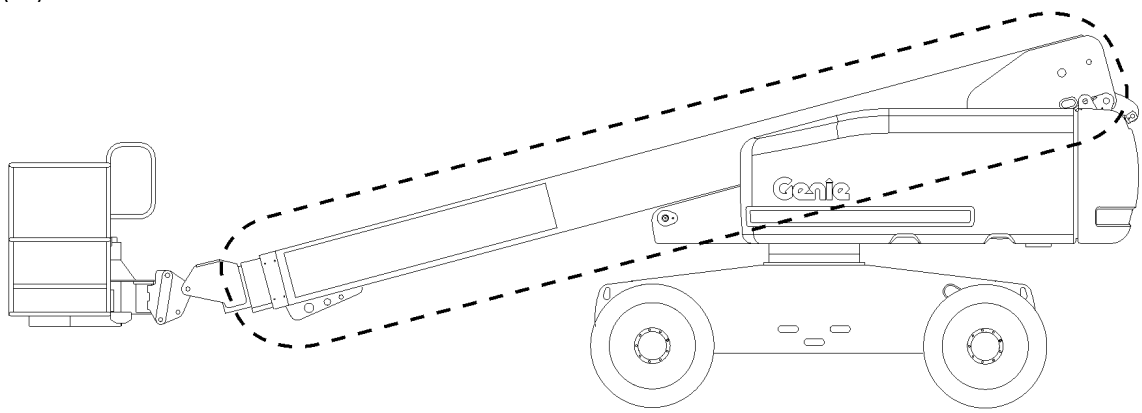
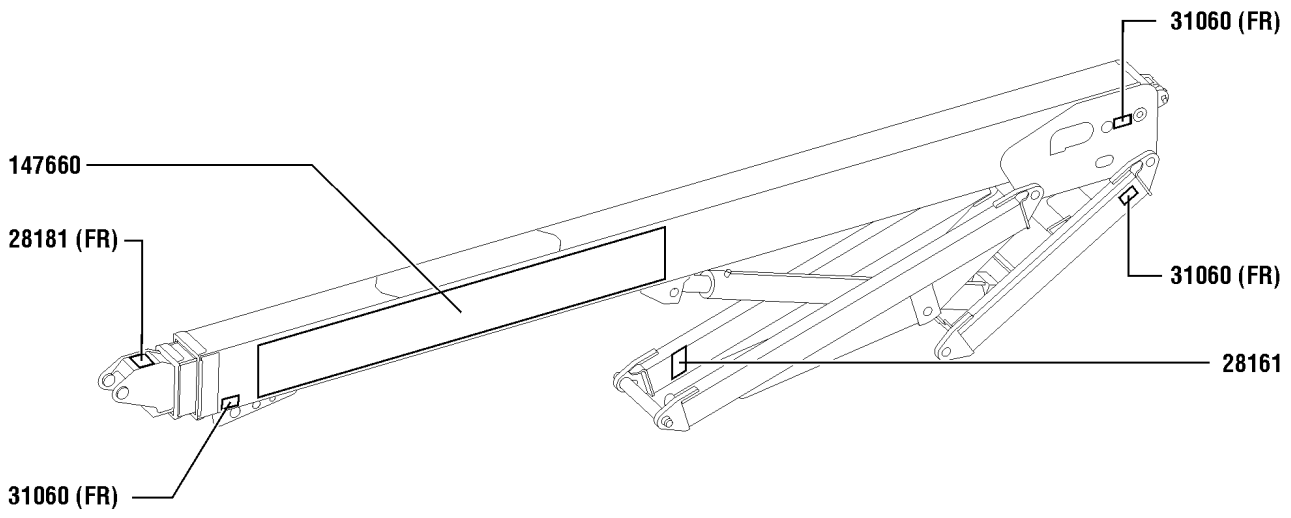
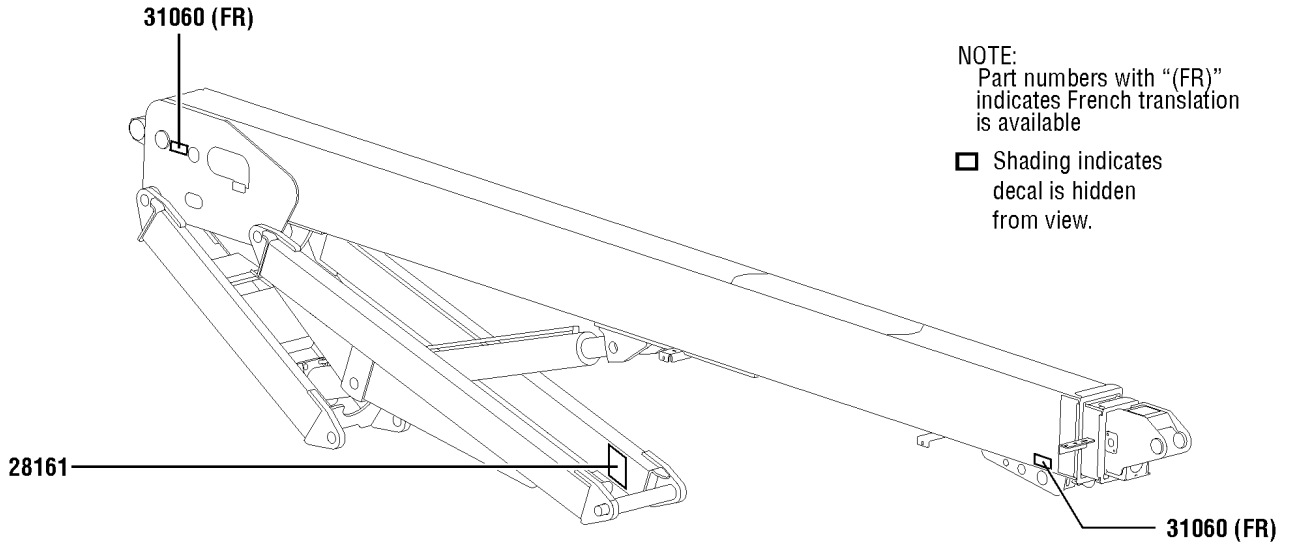
126.1 S-60XC Decals with Word, Engine Side (ANSI)



126.1 S-60XC Decals with Word, Engine Side (ANSI)

Item	Part No.	Description	Qty.
1	27204	DECAL,ARROW BLUE.....	1
2	27206	DECAL,TRIANGLE,BLUE.....	1
3	27207	DECAL,TRIANGLE,YELLOW.....	1
4	28161	DECAL,WARN,CRUSH HAZARD HAND.....	1
5	28174	DECAL,POWER TO PLATFORM 230V.....	1
6	28175	DECAL,COMPARTMENT ACCESS.....	1
7	28235	DECAL,POWER TO PLATFORM 115V.....	1
8	44981	DECAL,LABEL,AIRLINE 110 PSI..... <i>Option, airline to plat</i>	1
9	62077	DECAL,COSMETIC,S60.....	1
10	82237	DECAL,DANGER,HIGH VOLTAGE..... <i>Option, welder</i>	2
11	97548	DECAL,ENGINE SPEC,DEUTZ 2011.....	1
12	97602	DECAL,EXPLOSION HAZARD.....	1
13	97875	DECAL,WARN.WELD LINE INST.WORD..... <i>Option, weld cable line</i>	1
14	114099	DECAL,LABEL,TRANSPORT DIAGRAM.....	1
15	114169	DECAL,FORD ENGINE SPEC DSG423.....	1
16	114277	DECAL,LABEL,BELT ROUTING DSG.....	1
17	114390	DECAL,DANGER,ELECT HAZARD***.....	1
18	133238	DECAL,ENGINE SPEC,PERKINS***.....	1
19	147792	DANGER,TIPOVR,TIRES FF ONLY.....	2
20	229744	DECAL,LABEL,WHEEL LOAD S60H/XC.....	2

127.1 S-60XC Decals with Word, Boom (ANSI)

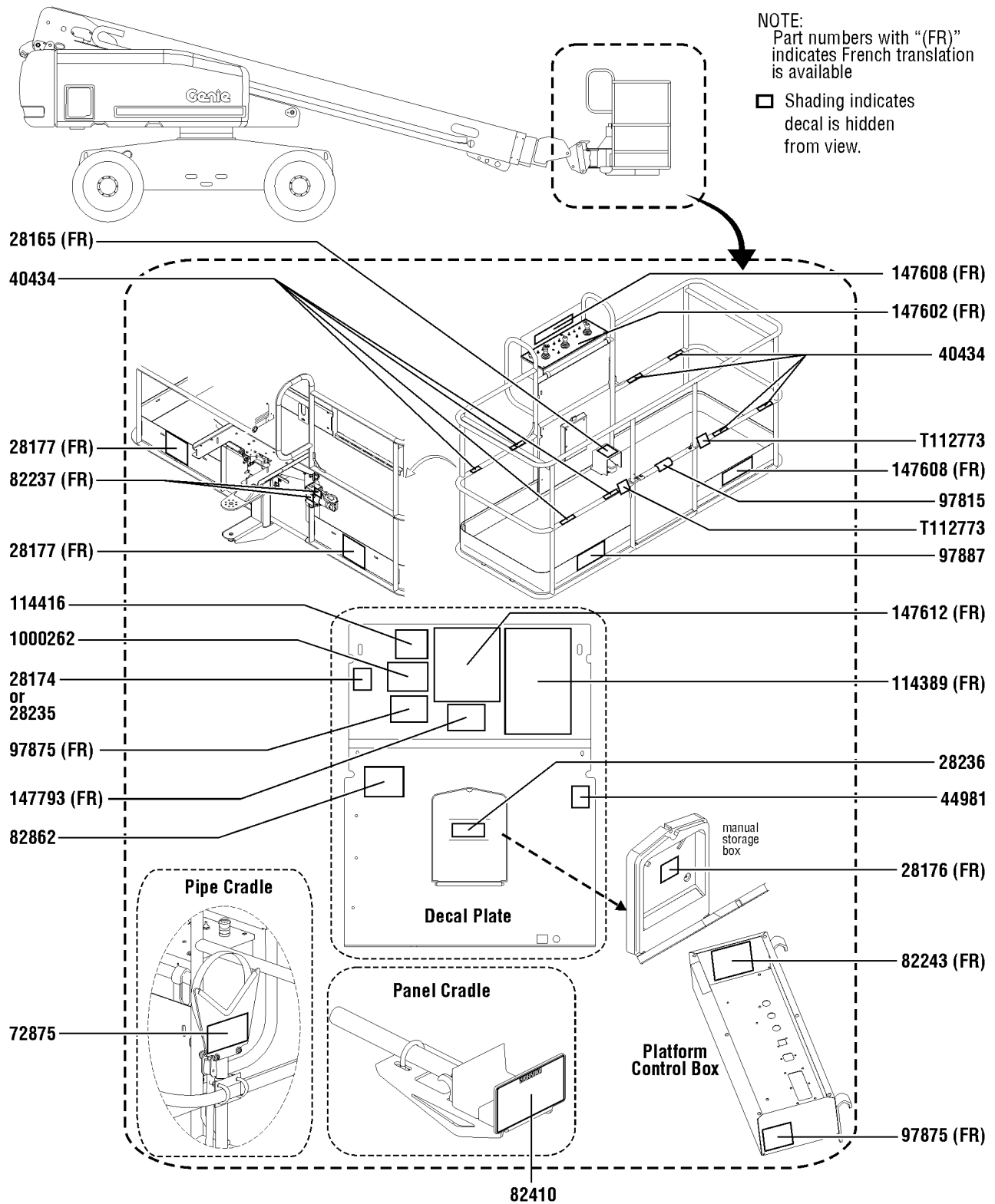


127.1 S-60XC Decals with Word, Boom (ANSI)

Item	Part No.	Description	Qty.
1	28161	DECAL,WARN,CRUSH HAZARD HAND.....	2
2	28181	DECAL,WARN,FALL HAZARD.....	1
3	31060	DECAL,DANGER DO NOT ALTER SWTC.....	5
4	147660	DECAL,COSM GENIE S60XC.....	1



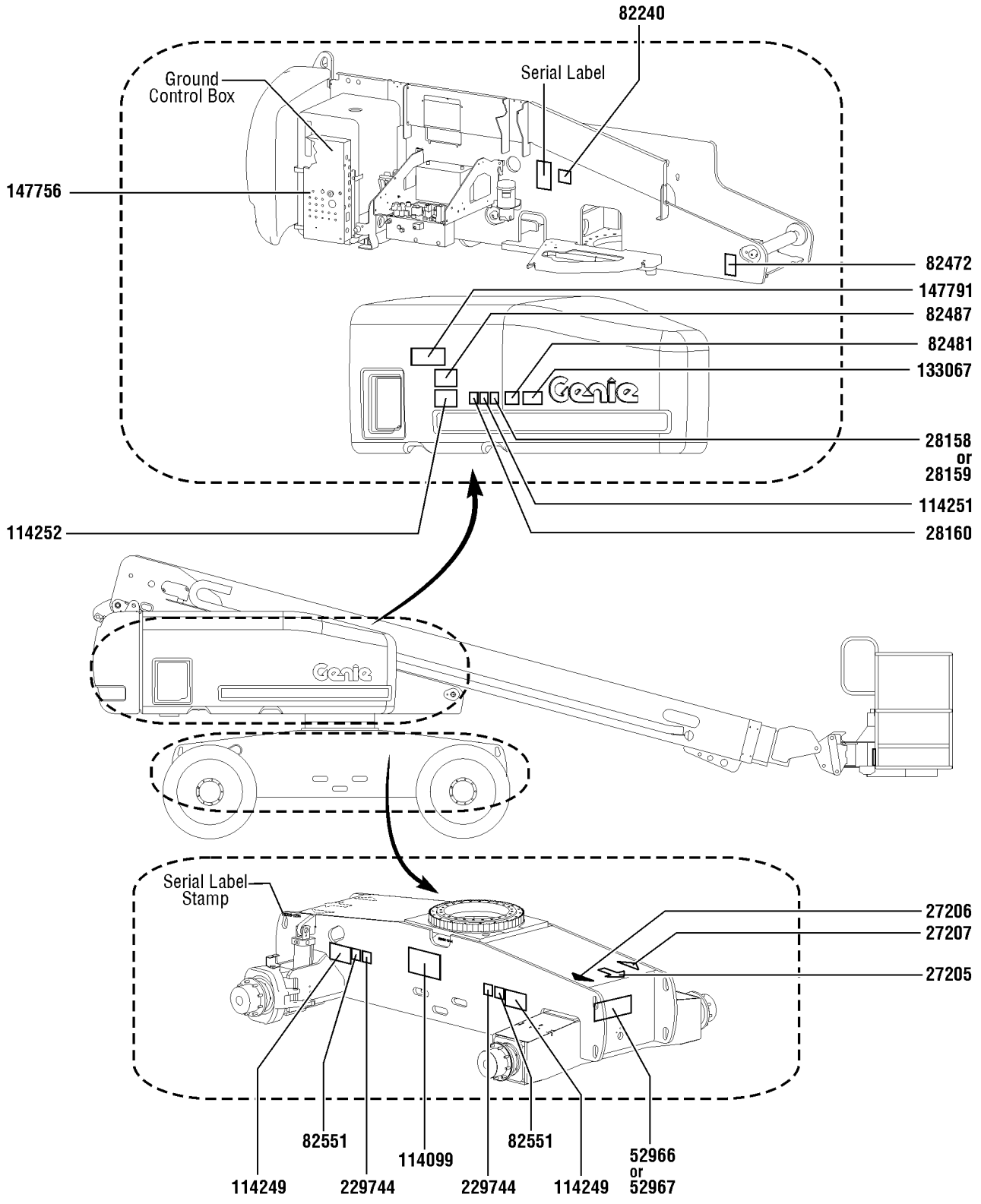
128.1 S-60XC Decals with Word, Platform (ANSI)



128.1 S-60XC Decals with Word, Platform (ANSI)

Item	Part No.	Description	Qty.
1	28165	DECAL,INSTRUCT,FOOTSWITCH OPER.....	1
2	28174	DECAL,POWER TO PLATFORM 230V.....	1
3	28176	DECAL,LABEL,MANUAL NOT HERE.....	1
4	28177	DECAL,WARN,CRUSH HAZARD PLAT.....	2
5	28235	DECAL,POWER TO PLATFORM 115V.....	1
6	28236	DECAL,WARN,IMPROPER OPERATION.....	1
7	40434	DECAL,LANYARD ANCHORAGE POINT.....	8
8	44981	DECAL,LABEL,AIRLINE 110 PSI..... <i>Option, airline to plat</i>	1
9	72875	DECAL,WARNING,PIPE CRADLE,BOOM..... <i>Option, pipe cradle</i>	2
10	82237	DECAL,DANGER,HIGH VOLTAGE..... <i>Option, welder</i>	2
11	82243	DECAL FAULT CODE.....	1
12	82410	DECAL,WARNING,PANEL CRADLE..... <i>Option, panel cradle</i>	2
13	82862	DECAL,FIRE EXTINGUISHER..... <i>Option, welder</i>	1
14	97815	DECAL,LABEL,LOWER MIDRAIL....	1
15	97875	DECAL,WARN.WELD LINE INST.WORD..... <i>Option, weld cable line</i>	2
16	97887	DECAL,INSTR,MAX SIDE FRC,ANSI.....	1
17	114389	DECAL,DANGER,GENERAL SAFETY.....	1
18	114416	DECAL,DANGER,TIPOVER,TILT.....	1
19	147602	DECAL, PLAT CNTL PNL 60XC.....	1
20	147608	DECAL,INST PLAT CAP 60XC.....	2
21	147612	DECAL,INST OPER INST 60XC.....	1
22	147793	DANGER, TIPOVR, MAX CAP.....	1
23	1000262	DECAL,DANGER,TIP OVER,PLAT.....	1
24	T112773	TAPE, PROTECTIVE MASK.....	2

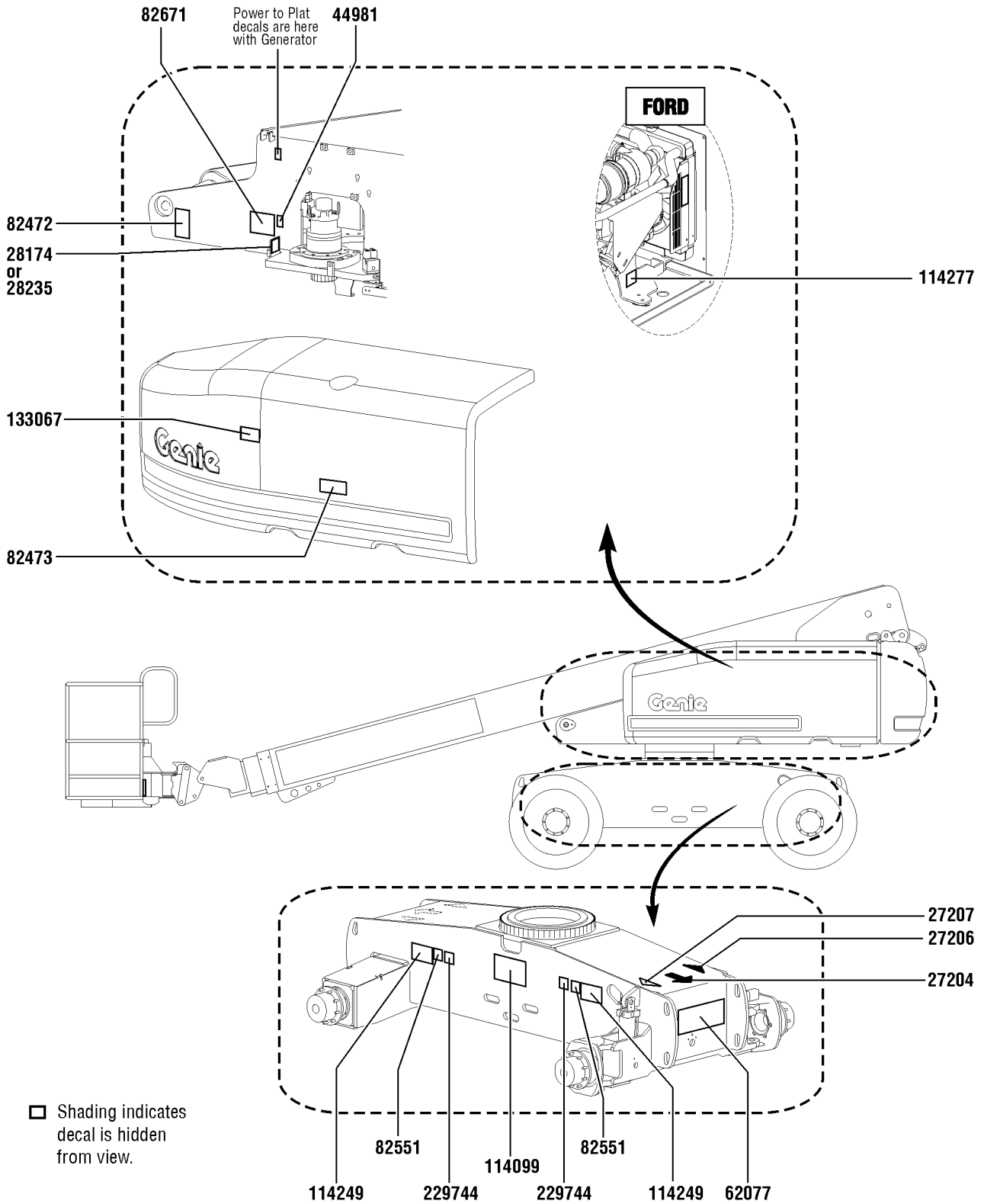
129.1 S-60XC Decals with Symbol, Hydraulic Tank Side (ANSI)



129.1 S-60XC Decals with Symbol, Hydraulic Tank Side (ANSI)

Item	Part No.	Description	Qty.
1	27205	DECAL,ARROW YELLOW LRG 9".....	1
2	27206	DECAL,TRIANGLE,BLUE.....	1
3	27207	DECAL,TRIANGLE,YELLOW.....	1
4	28158	DECAL,LABEL,UNLEADED GAS ONLY.....	1
5	28159	DECAL,DIESEL.....	1
6	28160	DECAL,LABEL,LIQUID PROPANE..... <i>Option, LPG tank</i>	1
7	52966	DECAL,COSMETIC,4 X 2.....	1
8	52967	DECAL,COSMETIC,4 X 4.....	1
9	82240	DECAL,LABEL,105 DB.....	1
10	82472	DECAL,WARNING,CRUSHING HAZARD.....	1
11	82481	DECAL,SYMBOL-BATTERY SAFETY.....	1
12	82487	DECAL,SYMBOL-READ THE MANUAL.....	1
13	82551	DECAL,LABEL,TIRE PRESSURE S60.....	2
14	114099	DECAL,LABEL,TRANSPORT DIAGRAM.....	1
15	114249	DECAL,LABEL,TIPOVER,TIRES,SYMB.	1
16	114251	DECAL,LABEL,NO SMOKING,SYMB.....	1
17	114252	DECAL,LABEL,TIP OVER LMT SWTCH.....	1
18	114349	OPT,COSM DECAL,NES S105.....	1
19	133067	DECAL,DANGER,ELEC.HAZ.STAY CLR.....	1
20	147756	DECAL,GR CNTL PNL 60XC.....	1
21	147791	DECAL,INST PLAT CAP 60XC SYM.....	1
22	229744	DECAL,LABEL,WHEEL LOAD S60H/XC.....	2

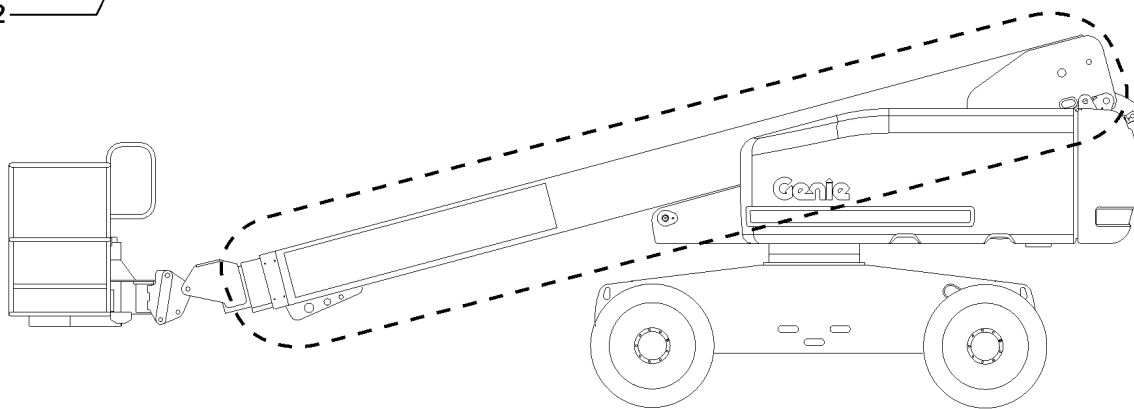
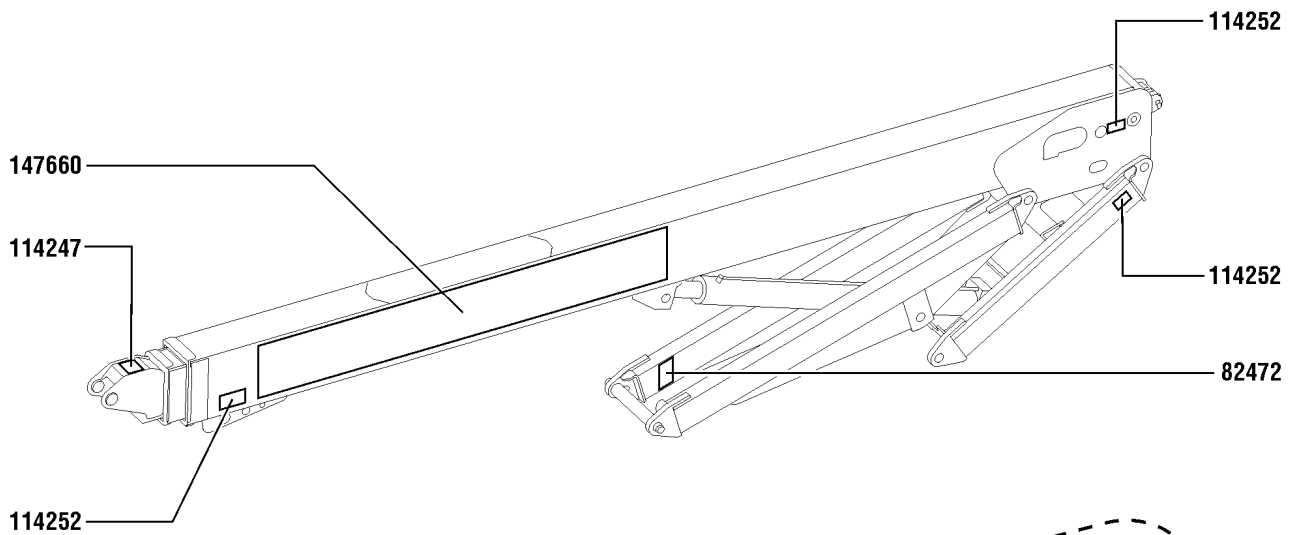
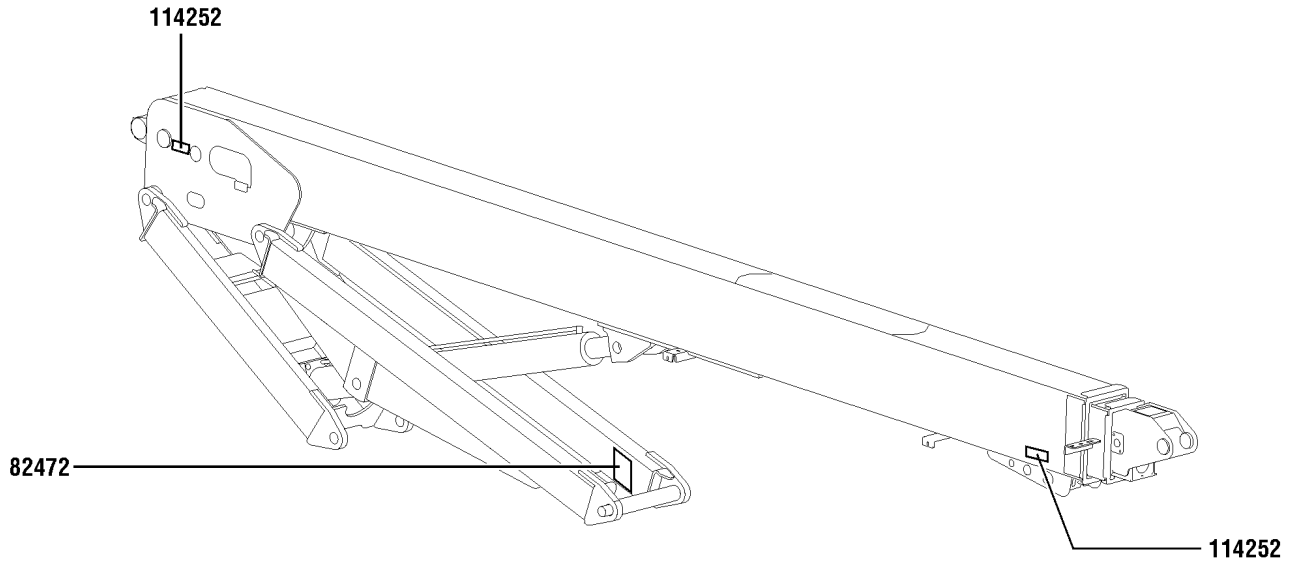
130.1 S-60XC Decals with Symbol, Engine Side (ANSI)



130.1 S-60XC Decals with Symbol, Engine Side (ANSI)

Item	Part No.	Description	Qty.
1	27204	DECAL,ARROW BLUE.....	1
2	27206	DECAL,TRIANGLE,BLUE.....	1
3	27207	DECAL,TRIANGLE,YELLOW.....	1
4	28174	DECAL,POWER TO PLATFORM 230V.....	1
5	28235	DECAL,POWER TO PLATFORM 115V.....	1
6	44981	DECAL,LABEL,AIRLINE 110 PSI..... <i>Option, airline to plat</i>	1
7	62077	DECAL,COSMETIC,S60.....	1
8	82472	DECAL,WARNING,CRUSHING HAZARD.....	1
9	82473	DECAL,SYMBOL-COMP ACCESS.....	1
10	82551	DECAL,LABEL,TIRE PRESSURE S60.....	2
11	82671	DECAL,LABEL,WELD LINE INST,SYM..... <i>Option, weld cable line</i>	1
12	114099	DECAL,LABEL,TRANSPORT DIAGRAM.....	1
13	114219	DECAL,LABEL,RELAYS,S60&65.....	1
14	114249	DECAL,LABEL,TIPOVER,TIRES,SYMB.	1
15	114277	DECAL,LABEL,BELT ROUTING DSG.....	1
16	133067	DECAL,DANGER,ELEC.HAZ.STAY CLR.....	1
17	229744	DECAL,LABEL,WHEEL LOAD S60H/XC.....	2

131.1 S-60XC Decals with Symbol, Boom (ANSI)

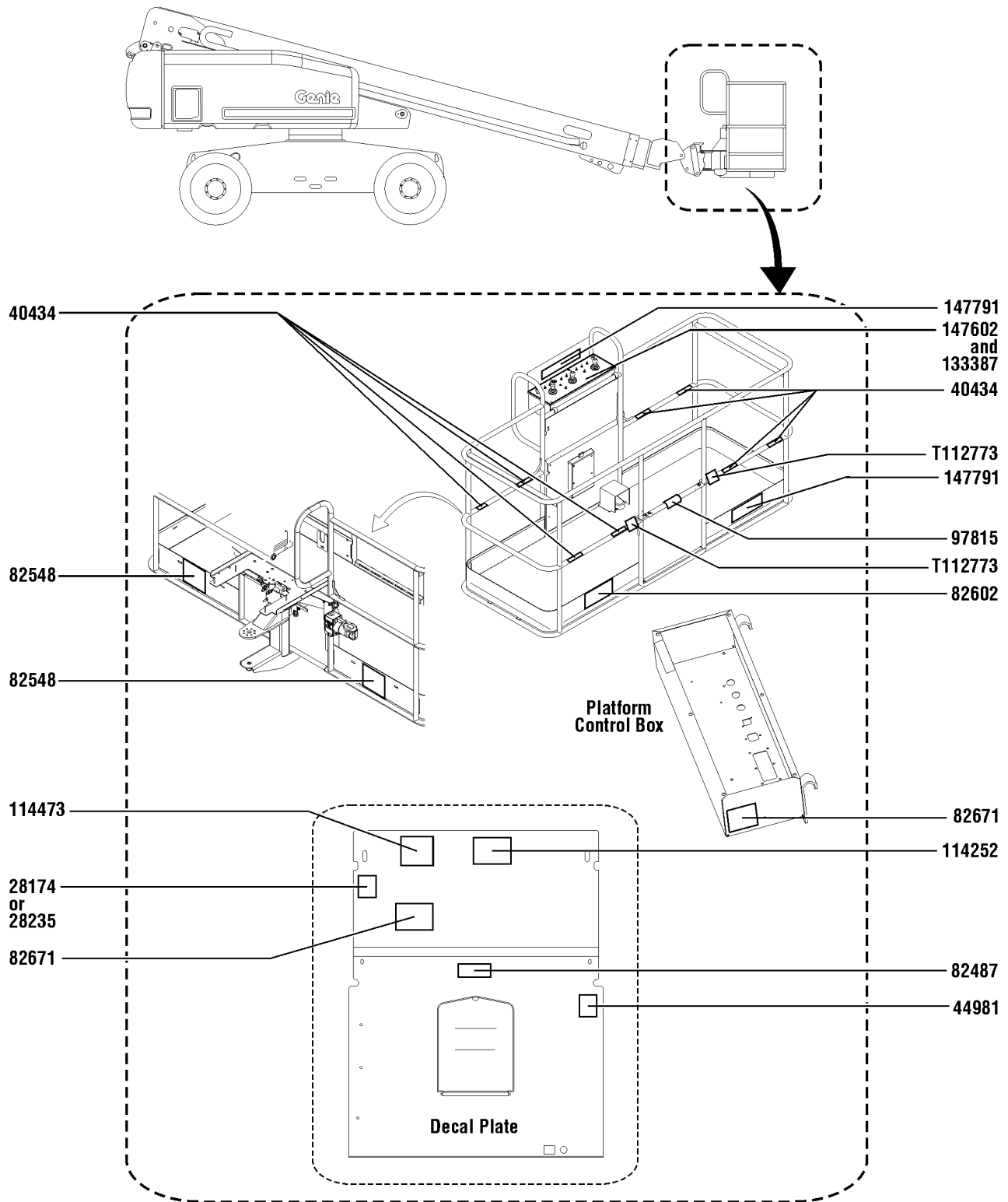


131.1 S-60XC Decals with Symbol, Boom (ANSI)

Item	Part No.	Description	Qty.
1	82472	DECAL,WARNING,CRUSHING HAZARD.....	2
2	114247	DECAL,LABEL,FALL HAZARD***	1
3	114252	DECAL,LABEL,TIP OVER LMT SWTCH.....	5
4	147660	DECAL,COSM GENIE S60XC.....	1



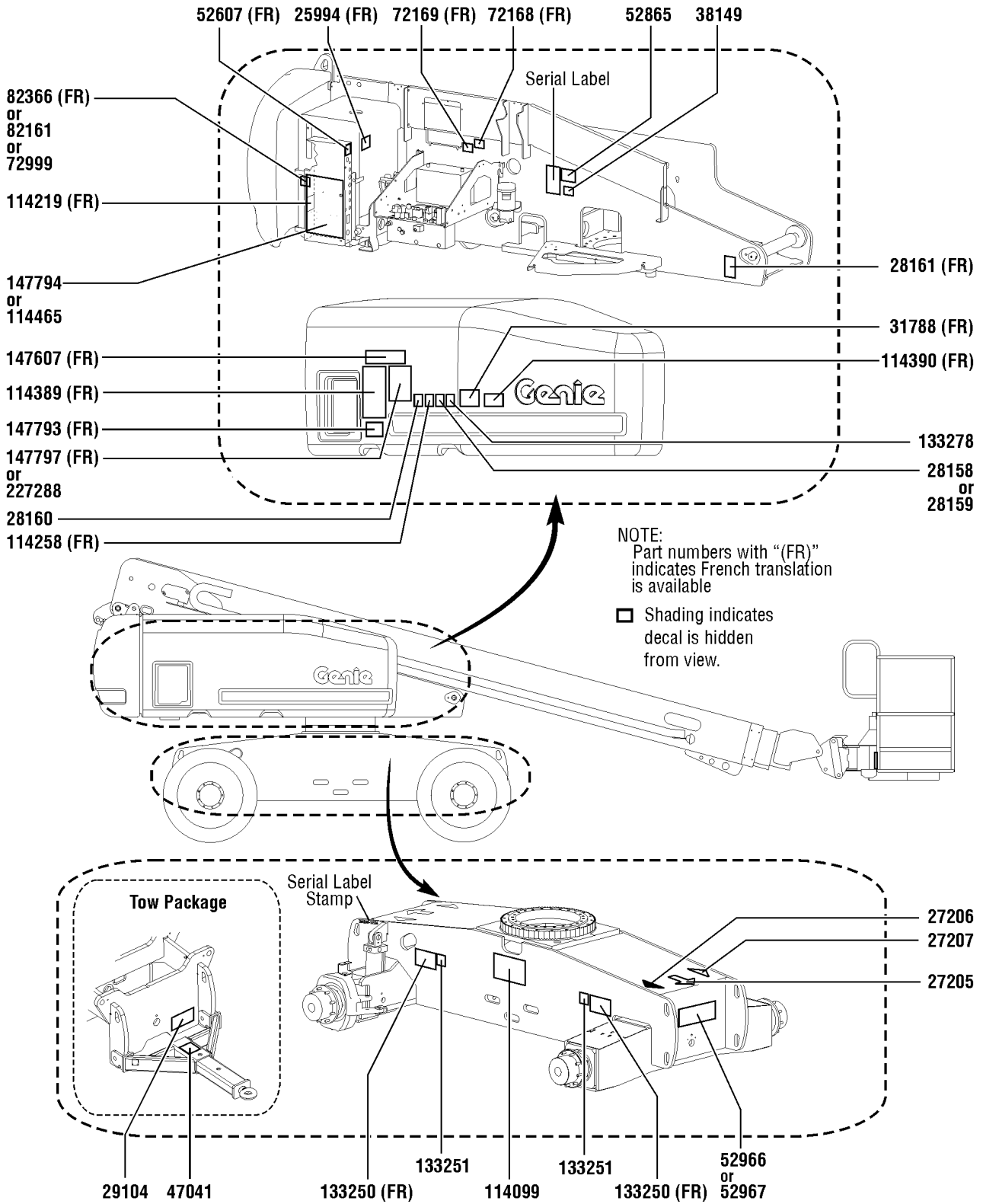
132.1 S-60XC Decals with Symbol, Platform (ANSI)



132.1 S-60XC Decals with Symbol, Platform (ANSI)

Item	Part No.	Description	Qty.
1	28174	DECAL,POWER TO PLATFORM 230V.....	1
2	28235	DECAL,POWER TO PLATFORM 115V.....	1
3	40434	DECAL,LANYARD ANCHORAGE POINT.....	8
4	44981	DECAL,LABEL,AIRLINE 110 PSI..... <i>Option, airline to plat</i>	1
5	82487	DECAL,SYMBOL-READ THE MANUAL.....	1
6	82548	DECAL,WARN,CRUSH HAZARD PLAT.....	2
7	82602	DECAL,DANGER,MAX SIDE FRC,667N.....	1
8	82671	DECAL,LABEL,WELD LINE INST,SYM..... <i>Option, weld cable line</i>	2
9	97815	DECAL,LABEL,LOWER MIDRAIL....	1
10	114252	DECAL,LABEL,TIP OVER LMT SWTCH.....	1
11	114473	DECAL,DANGER,TIPOVER,TILT,SYM.	1
12	133387	DECAL,DRIVE ENABLE PATCH.....	1
13	147602	DECAL, PLAT CNTL PNL 60XC.....	1
14	147791	DECAL,INST PLAT CAP 60XC SYM.....	2
15	T112773	TAPE, PROTECTIVE MASK.....	2

133.1 S-60TX Decals with Word, Hydraulic Tank Side (ANSI & Australia)

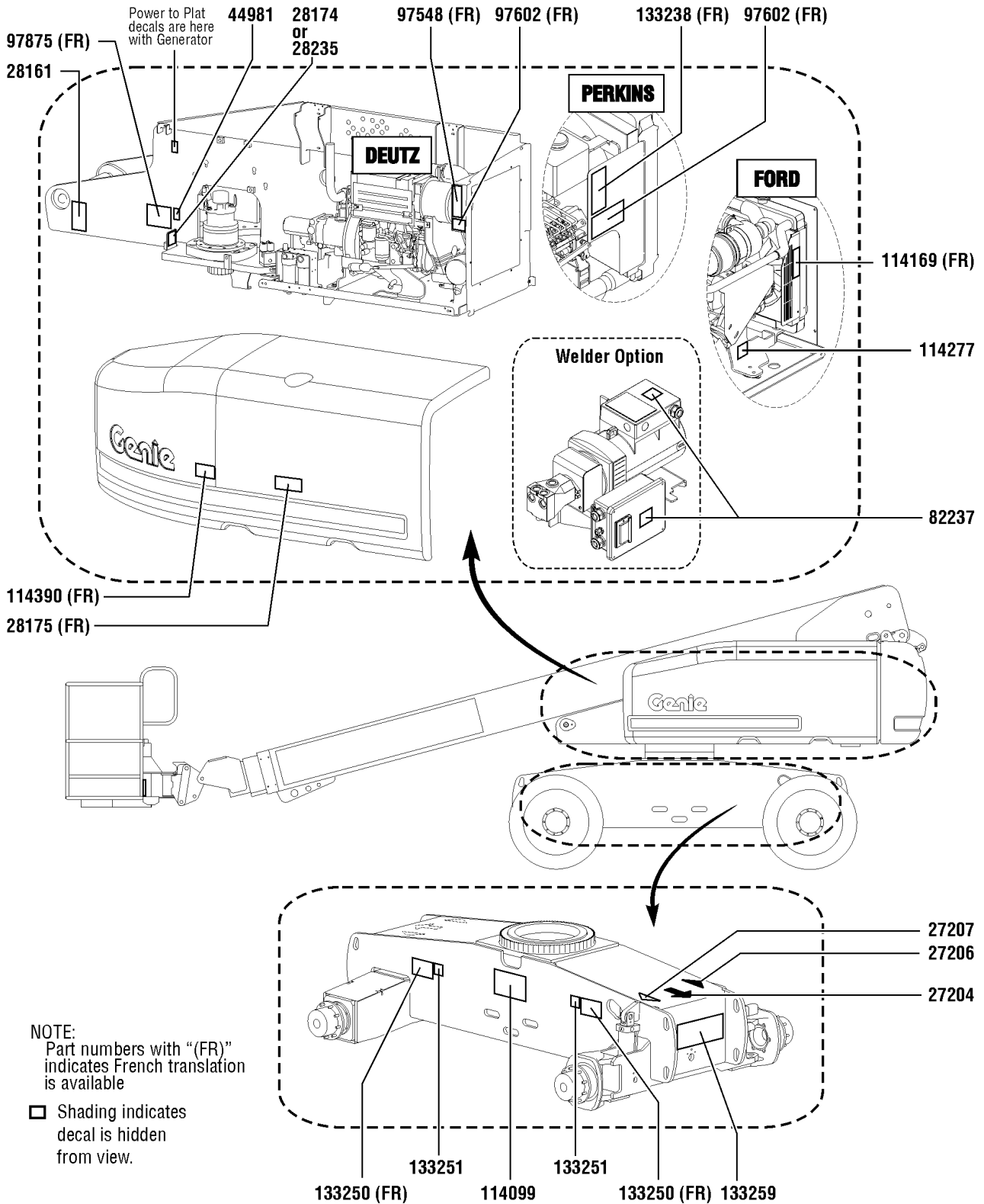


133.1 S-60TX Decals with Word, Hydraulic Tank Side (ANSI & Australia)

Item	Part No.	Description	Qty.	Item	Part No.	Description	Qty.
1	25994	DECAL,NOTICE,SHUTOFF VALVES.....	1	26	114390	DECAL,DANGER,ELECT HAZARD***.....	1
2	27205	DECAL,ARROW YELLOW LRG 9".....	1	27	114465	DECAL GROUND CONTROL BOX.....	1
3	27206	DECAL, TRIANGLE, BLUE.....	1			<i>AUS only</i>	
4	27207	DECAL, TRIANGLE, YELLOW.....	1	28	133250	DECAL,DANGER TIP OVER TRAX.....	2
5	28158	DECAL,LABEL,UNLEADED GAS ONLY.....	1	29	133251	DECAL, WHEEL LOAD S60TRAX...2	
6	28159	DECAL,DIESEL.....	1	30	133278	DECAL,LOW/ULTRA LOW SULFR FUEL.....	1
7	28160	DECAL,LABEL,LIQUID PROPANE.....	1			<i>Diesel models only</i>	
		<i>Option, LPG tank</i>		31	147607	DECAL,INST PLAT CAP 60TRAX....1	
8	28161	DECAL,WARN,CRUSH HAZARD HAND.....	1	32	147793	DANGER, TIPOVR, MAX CAP.....1	
						<i>ANSI only</i>	
9	29104	DECAL,TOWING INSTRUCTIONS.....	1	33	147794	DECAL,GR CNTL PNL 60TX.....1	
		<i>Option, tow package</i>				<i>ANSI only</i>	
10	31788	DECAL,DANGER,BATTERY SAFETY***.....	1	34	147797	DECAL, OPER INST 60TRX GRD...1	
						<i>ANSI only</i>	
11	38149	DECAL,LABEL,PATENTS.....	1	35	227288	DECAL, OPERATING INSTRUCTIONS.....	1
		<i>US only</i>				<i>AUS only</i>	
12	47041	DECAL,CAUTION,TOWING SPEED.....	1				
		<i>Option, tow package</i>					
13	52607	DECAL,LABEL,TEST***.....	1				
		<i>Ford only</i>					
14	52865	DECAL,ANNUAL INSP***.....	1				
		<i>ANSI only</i>					
15	52966	DECAL,COSMETIC,4 X 2.....	1				
16	52967	DECAL,COSMETIC,4 X 4.....	1				
17	72168	DECAL,LABEL,STARTER BATTERY.....	1				
18	72169	DECAL,LABEL,CONTROLS BATTERY.....	1				
19	72999	DECAL,LABEL,PETRO CANADA***.....	1				
20	82161	DECAL,LABEL,UCON HYDROLUBE.....	1				
21	82366	DECAL,CHEVRON RANDO HD....1					
22	114099	DECAL,LABEL,TRANSPORT DIAGRAM.....	1				
23	114219	DECAL,LABEL,RELAYS,S60&65....1					
24	114258	DECAL,DANGER,NO SMOKING....1					
25	114389	DECAL,DANGER,GENERAL SAFETY.....	1				



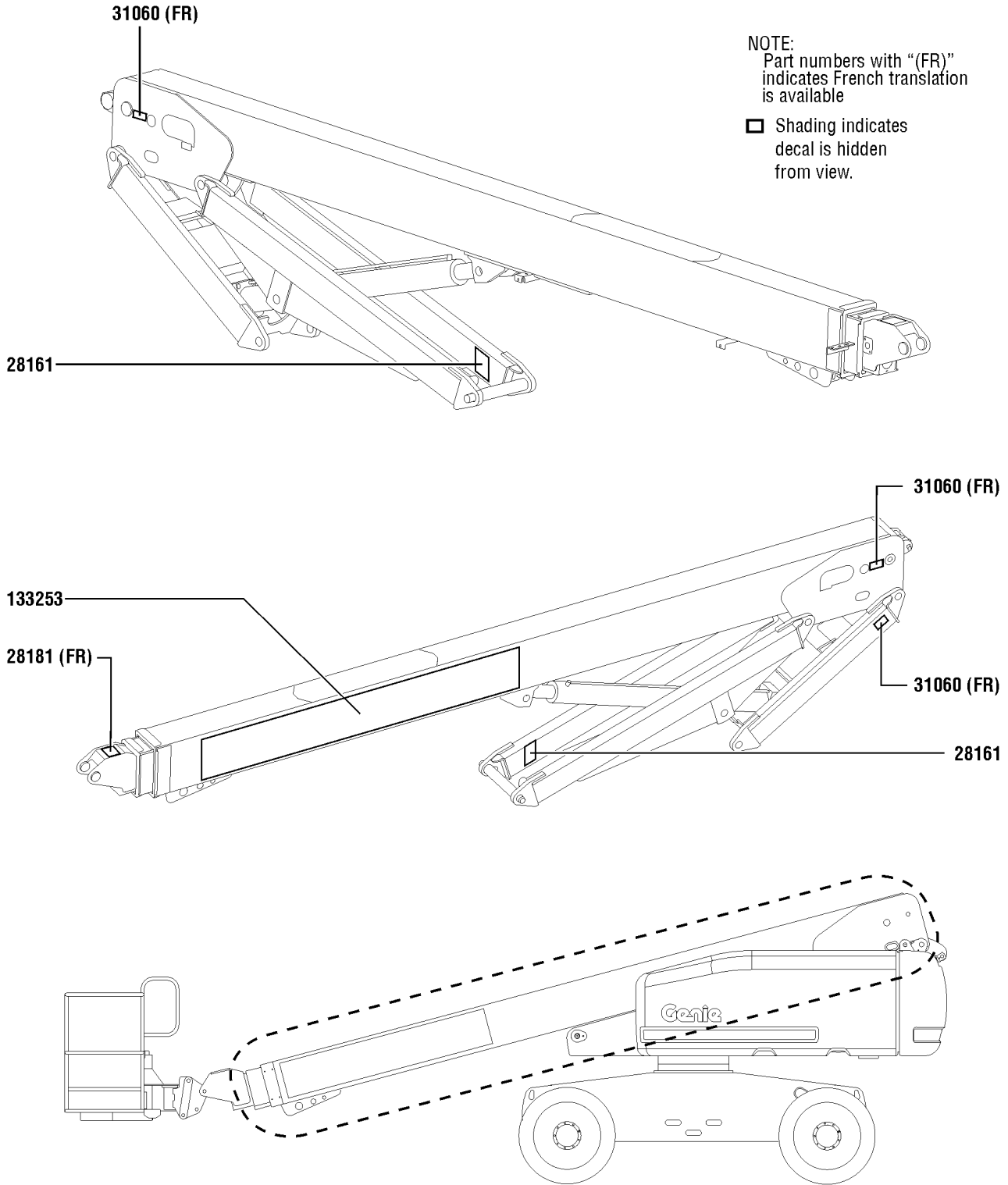
134.1 S-60TX Decals with Word, Engine Side (ANSI & Australia)



134.1 S-60TX Decals with Word, Engine Side (ANSI & Australia)

Item	Part No.	Description	Qty.
1	27204	DECAL,ARROW BLUE.....	1
2	27206	DECAL,TRIANGLE,BLUE.....	1
3	27207	DECAL,TRIANGLE,YELLOW.....	1
4	28161	DECAL,WARN,CRUSH HAZARD HAND.....	1
5	28174	DECAL,POWER TO PLATFORM 230V.....	1
6	28175	DECAL,COMPARTMENT ACCESS.....	1
7	28235	DECAL,POWER TO PLATFORM 115V.....	1
8	44981	DECAL,LABEL,AIRLINE 110 PSI..... <i>Option, airline to plat</i>	1
9	82237	DECAL,DANGER,HIGH VOLTAGE..... <i>Option, welder</i>	2
10	97548	DECAL,ENGINE SPEC,DEUTZ 2011.....	1
11	97602	DECAL,EXPLOSION HAZARD.....	1
12	97875	DECAL,WARN.WELD LINE INST.WORD..... <i>Option, weld cable line</i>	1
13	114099	DECAL,LABEL,TRANSPORT DIAGRAM.....	1
14	114169	DECAL,FORD ENGINE SPEC DSG423.....	1
15	114277	DECAL,LABEL,BELT ROUTING DSG.....	1
16	114390	DECAL,DANGER,ELECT HAZARD***	1
17	133238	DECAL,ENGINE SPEC,PERKINS***	1
18	133250	DECAL,DANGER TIP OVER TRAX.....	2
19	133251	DECAL, WHEEL LOAD S60TRAX...2	
20	133259	DECAL,COSM, S60 TRAX.....	1

135.1 S-60TX Decals with Word, Boom (ANSI & Australia)

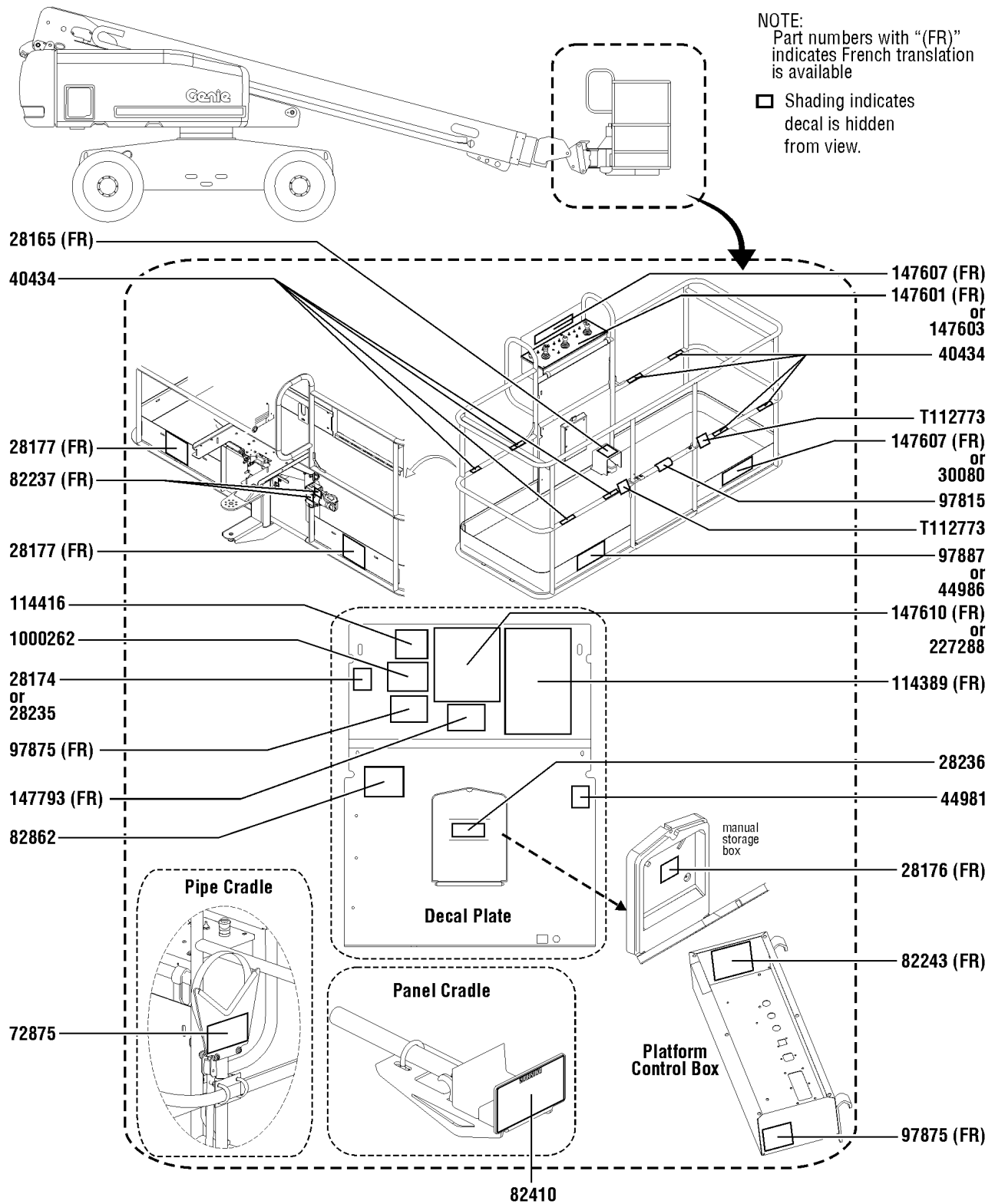


135.1 S-60TX Decals with Word, Boom (ANSI & Australia)

Item	Part No.	Description	Qty.
1	28161	DECAL,WARN,CRUSH HAZARD HAND.....	2
2	28181	DECAL,WARN,FALL HAZARD.....	1
3	31060	DECAL,DANGER DO NOT ALTER SWTC.....	3
4	133253	DECAL,COSM,GENIE S60 TRAX....	1



136.1 S-60TX Decals with Word, Platform (ANSI & Australia)

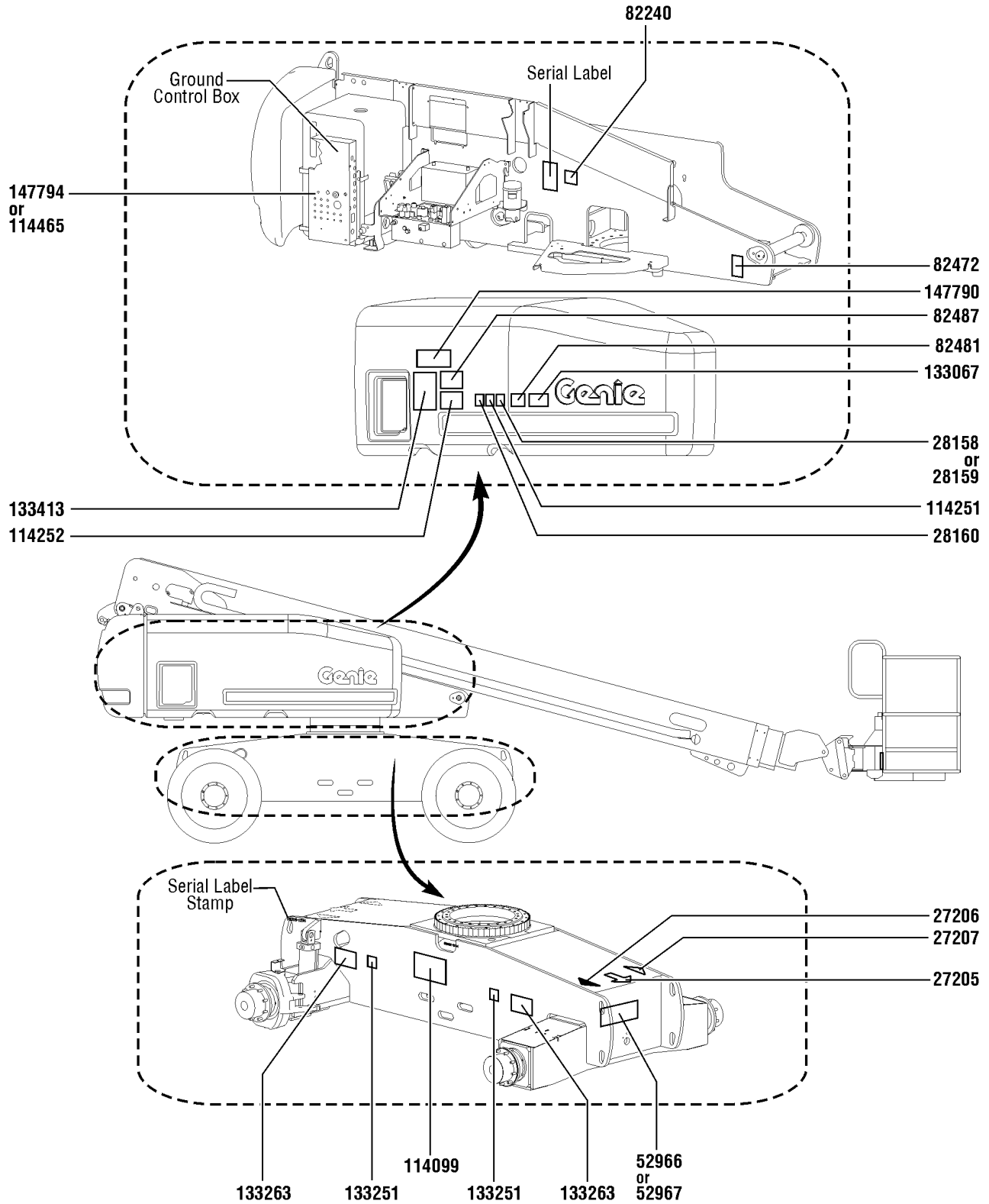


136.1 S-60TX Decals with Word, Platform (ANSI & Australia)

Item	Part No.	Description	Qty.	Item	Part No.	Description	Qty.
1	28165	DECAL,INSTRUCT,FOOTSWITCH OPER.....	1	22	147603	DECAL, PLAT CNTL PNL..... <i>AUS only</i>	1
2	28174	DECAL,POWER TO PLATFORM 230V.....	1	23	147607	DECAL,INST PLAT CAP 60TRAX.... <i>ANSI only</i>	2
3	28176	DECAL,LABEL,MANUAL NOT HERE.....	1	24	147610	DECAL,INST,OPER INST 60TRAX.....	1
4	28177	DECAL,WARN,CRUSH HAZARD PLAT.....	2			<i>ANSI only</i>	
5	28235	DECAL,POWER TO PLATFORM 115V.....	1	25	147793	DANGER, TIPOVR, MAX CAP.....	1
6	28236	DECAL,WARN,IMPROPER OPERATION.....	1			<i>ANSI only</i>	
7	30080	DECAL,NOTICE,MAX LOAD 500 LBS.....	1	26	227288	DECAL, OPERATING INSTRUCTIONS.....	1
		<i>AUS only</i>				<i>AUS only</i>	
8	40434	DECAL,LANYARD ANCHORAGE POINT.....	8	27	1000262	DECAL,DANGER,TIP OVER,PLAT.....	1
9	44981	DECAL,LABEL,AIRLINE 110 PSI..... <i>Option, airline to plat</i>	1	28	T112773	TAPE, PROTECTIVE MASK.....	2
10	44986	DECAL,INSTR,SIDE FRC/WIND,AUS.....	1			<i>AUS only</i>	
		<i>AUS only</i>					
11	72875	DECAL,WARNING,PIPE CRADLE,BOOM.....	2				
		<i>Option, pipe cradle</i>					
12	82237	DECAL,DANGER,HIGH VOLTAGE.....	2				
		<i>Option, welder</i>					
13	82243	DECAL FAULT CODE.....	1				
14	82410	DECAL,WARNING,PANEL CRADLE.....	2				
		<i>Option, panel cradle</i>					
15	82862	DECAL,FIRE EXTINGUISHER.....	1				
		<i>Option, welder</i>					
16	97815	DECAL,LABEL,LOWER MIDRAIL....	1				
17	97875	DECAL,WARN.WELD LINE INST.WORD.....	2				
		<i>Option, weld cable line</i>					
18	97887	DECAL,INSTR,MAX SIDE FRC,ANSI.....	1				
		<i>ANSI only</i>					
19	114389	DECAL,DANGER,GENERAL SAFETY.....	1				
20	114416	DECAL,DANGER,TIPOVER,TILT....	1				
21	147601	DECAL, PLAT CNTL PNL 60TX.....	1				
		<i>ANSI only</i>					



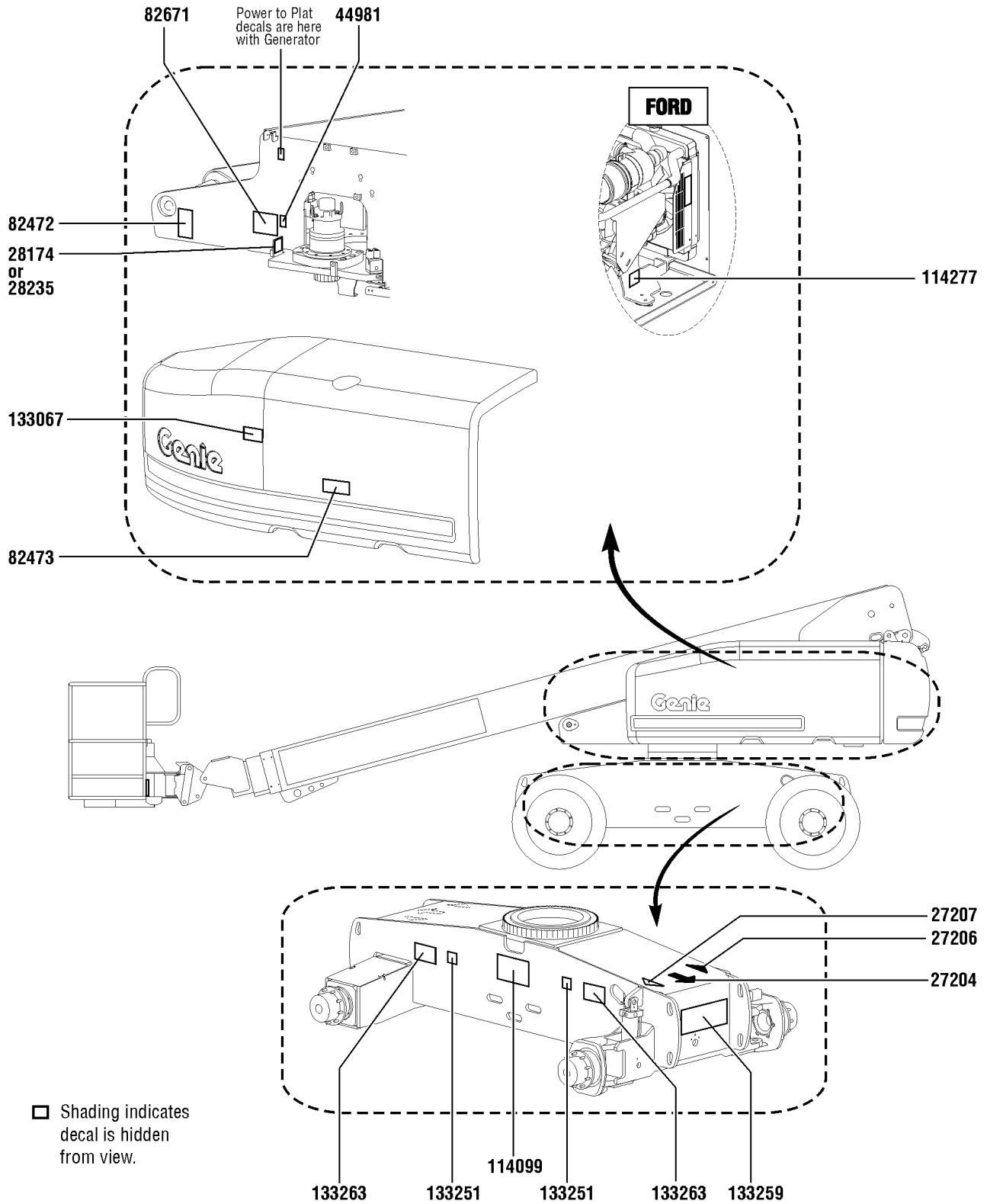
137.1 S-60TX Decals with Symbol, Hydraulic Tank Side (ANSI & CE)



137.1 S-60TX Decals with Symbol, Hydraulic Tank Side (ANSI & CE)

Item	Part No.	Description	Qty.
1	27205	DECAL,ARROW YELLOW LRG 9".....	1
2	27206	DECAL,TRIANGLE,BLUE.....	1
3	27207	DECAL,TRIANGLE,YELLOW.....	1
4	28158	DECAL,LABEL,UNLEADED GAS ONLY.....	1
5	28159	DECAL,DIESEL.....	1
6	28160	DECAL,LABEL,LIQUID PROPANE..... <i>Option, LPG tank</i>	1
7	52966	DECAL,COSMETIC,4 X 2.....	1
8	52967	DECAL,COSMETIC,4 X 4.....	1
9	82240	DECAL,LABEL,105 DB.....	1
10	82472	DECAL,WARNING,CRUSHING HAZARD.....	1
11	82481	DECAL,SYMBOL-BATTERY SAFETY.....	1
12	82487	DECAL,SYMBOL-READ THE MANUAL.....	1
13	114099	DECAL,LABEL,TRANSPORT DIAGRAM.....	1
14	114251	DECAL,LABEL,NO SMOKING,SYMB.....	1
15	114252	DECAL,LABEL,TIP OVER LMT SWTCH.....	1
16	114465	DECAL GROUND CONTROL BOX..... <i>CE only</i>	1
17	133067	DECAL,DANGER,ELEC.HAZ.STAY CLR.....	1
18	133251	DECAL, WHEEL LOAD S60TRAX...2	
19	133263	DECAL,LABEL,TIPOVER,TRAX,SYMB.2	
20	133413	DECAL,EMERGENCY LOWERING..... <i>CE only</i>	1
21	147790	DECAL,INST PLAT CAP 60TRAX SYM..... <i>ANSI only</i>	1
22	147794	DECAL,GR CNTL PNL 60TX..... <i>ANSI only</i>	1

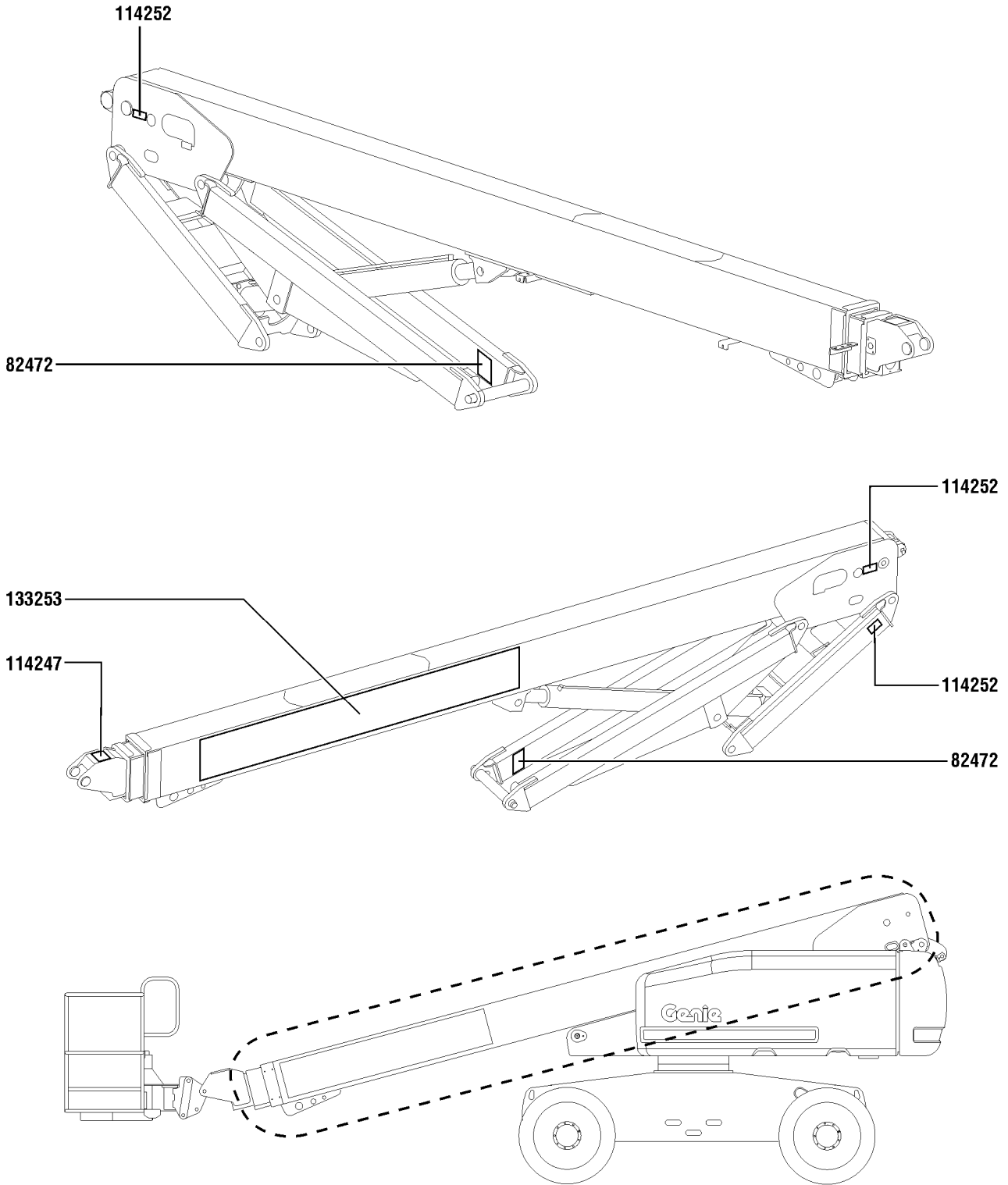
138.1 S-60TX Decals with Symbol, Engine Side (ANSI & CE)



138.1 S-60TX Decals with Symbol, Engine Side (ANSI & CE)

Item	Part No.	Description	Qty.
1	27204	DECAL,ARROW BLUE.....	1
2	27206	DECAL,TRIANGLE,BLUE.....	1
3	27207	DECAL,TRIANGLE,YELLOW.....	1
4	28174	DECAL,POWER TO PLATFORM 230V.....	1
5	28235	DECAL,POWER TO PLATFORM 115V.....	1
6	44981	DECAL,LABEL,AIRLINE 110 PSI..... <i>Option, airline to plat</i>	1
7	82472	DECAL,WARNING,CRUSHING HAZARD.....	1
8	82473	DECAL,SYMBOL-COMP ACCESS.....	1
9	82671	DECAL,LABEL,WELD LINE INST,SYM..... <i>Option, weld cable line</i>	1
10	114099	DECAL,LABEL,TRANSPORT DIAGRAM.....	1
11	114277	DECAL,LABEL,BELT ROUTING DSG.....	1
12	133067	DECAL,DANGER,ELEC.HAZ.STAY CLR.....	1
13	133251	DECAL, WHEEL LOAD S60TRAX...2	
14	133259	DECAL,COSM, S60 TRAX.....	1
15	133263	DECAL,LABEL,TIPOVER,TRAX,SYMB.2	

139.1 S-60TX Decals with Symbol, Boom (ANSI & CE)

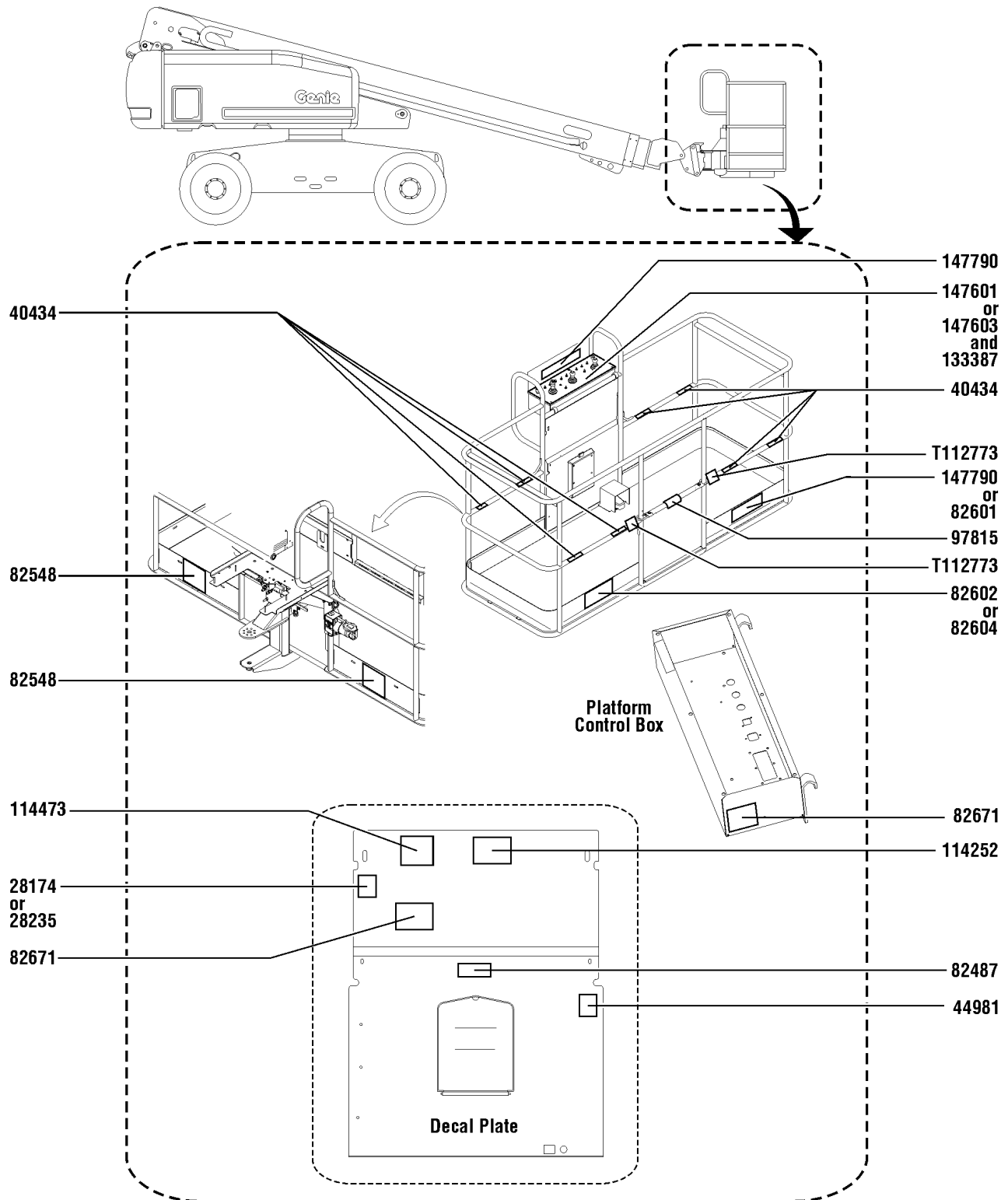


139.1 S-60TX Decals with Symbol, Boom (ANSI & CE)

Item	Part No.	Description	Qty.
1	82472	DECAL,WARNING,CRUSHING HAZARD.....	2
2	114247	DECAL,LABEL,FALL HAZARD***	1
3	114252	DECAL,LABEL,TIP OVER LMT SWTCH.....	3
4	133253	DECAL,COSM,GENIE S60 TRAX....	1



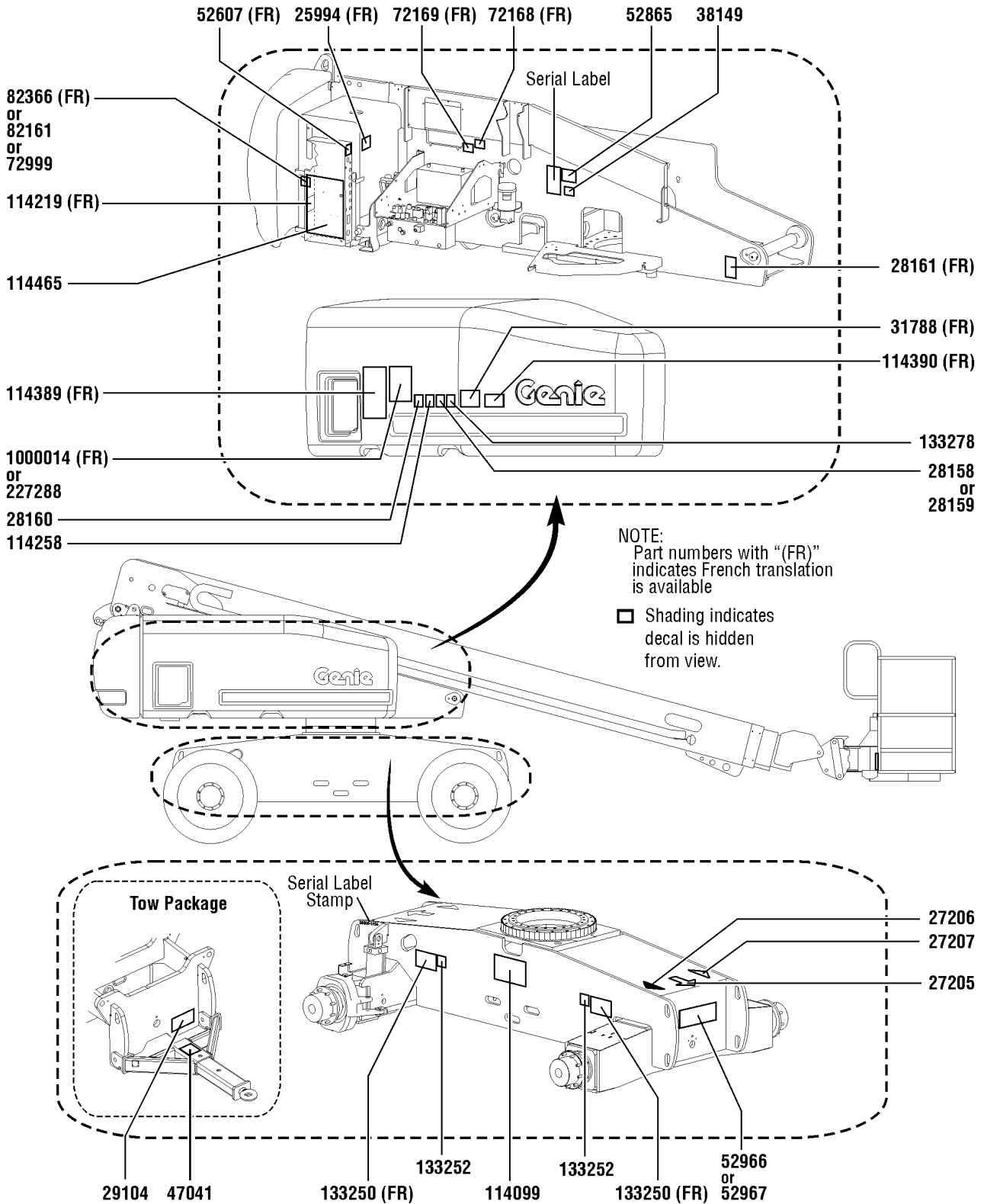
140.1 S-60TX Decals with Symbol, Platform (ANSI & CE)



140.1 S-60TX Decals with Symbol, Platform (ANSI & CE)

Item	Part No.	Description	Qty.
1	28174	DECAL,POWER TO PLATFORM 230V.....	1
2	28235	DECAL,POWER TO PLATFORM 115V.....	1
3	40434	DECAL,LANYARD ANCHORAGE POINT.....	8
4	44981	DECAL,LABEL,AIRLINE 110 PSI..... <i>Option, airline to plat</i>	1
5	82487	DECAL,SYMBOL-READ THE MANUAL.....	1
6	82548	DECAL,WARN,CRUSH HAZARD PLAT.....	2
7	82601	DECAL,LABEL,MAX CAPACITY***..... <i>CE only</i>	1
8	82602	DECAL,DANGER,MAX SIDE FRC,667N.....	1
9	82604	DECAL,DANGER,SIDE FRC 400N.....	1
10	82671	DECAL,LABEL,WELD LINE INST,SYM..... <i>Option, weld cable line</i>	2
11	97815	DECAL,LABEL,LOWER MIDRAIL....	1
12	114252	DECAL,LABEL,TIP OVER LMT SWTCH.....	1
13	114473	DECAL,DANGER,TIPOVER,TILT,SYM.	1
14	133387	DECAL,DRIVE ENABLE PATCH....	1
15	147601	DECAL, PLAT CNTL PNL 60TX..... <i>ANSI only</i>	1
16	147603	DECAL, PLAT CNTL PNL..... <i>CE only</i>	1
17	147790	DECAL,INST PLAT CAP 60TRAX SYM..... <i>ANSI only</i>	2
18	T112773	TAPE, PROTECTIVE MASK.....	2

141.1 S-65TX Decals with Word, Hydraulic Tank Side (ANSI & Australia)

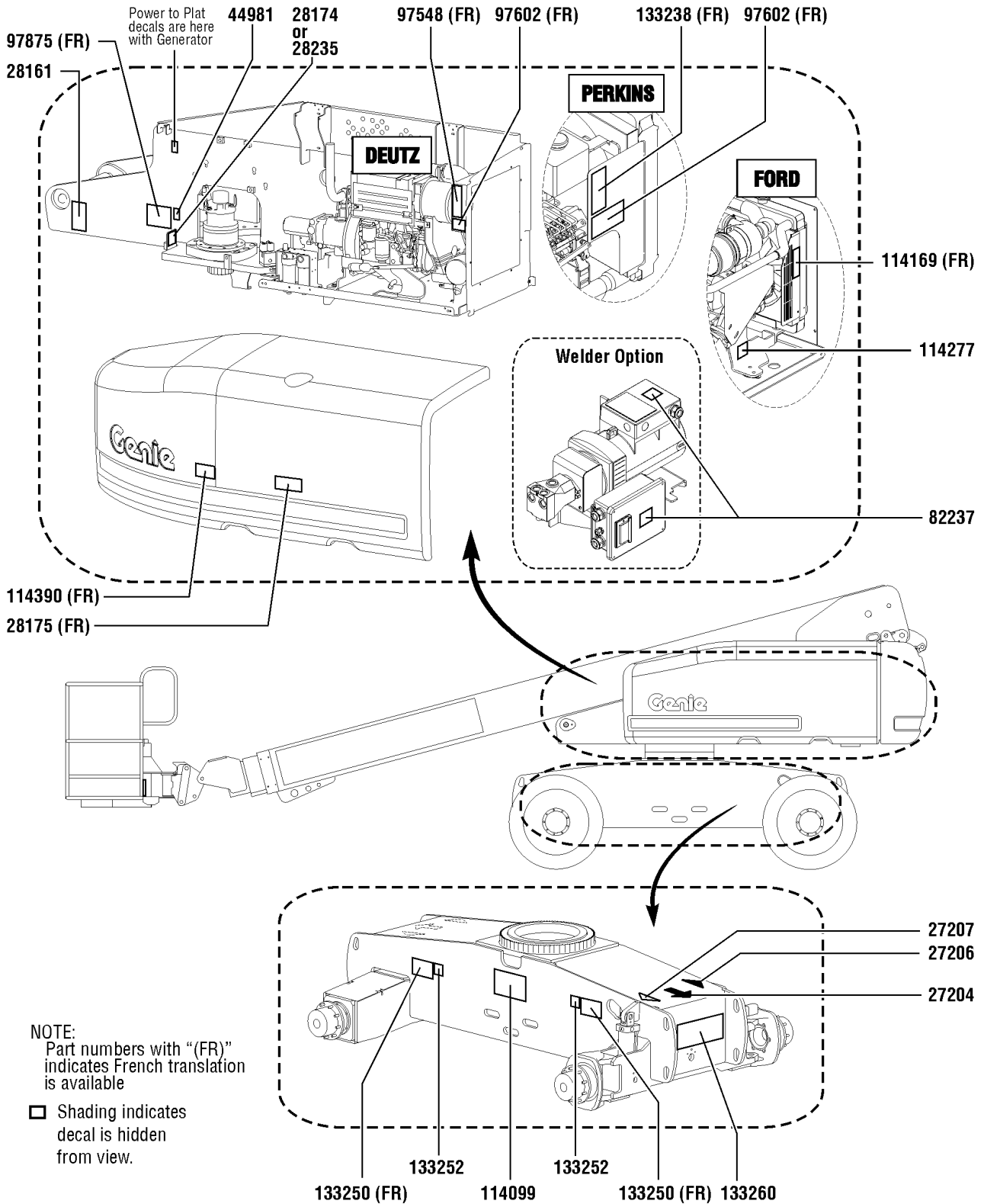


141.1 S-65TX Decals with Word, Hydraulic Tank Side (ANSI & Australia)

Item	Part No.	Description	Qty.	Item	Part No.	Description	Qty.
1	25994	DECAL,NOTICE,SHUTOFF VALVES.....	1	26	114390	DECAL,DANGER,ELECT HAZARD***.....	1
2	27205	DECAL,ARROW YELLOW LRG 9".....	1	27	114465	DECAL GROUND CONTROL BOX.....	1
3	27206	DECAL, TRIANGLE, BLUE.....	1	28	133250	DECAL,DANGER TIP OVER TRAX.....	2
4	27207	DECAL, TRIANGLE, YELLOW.....	1	29	133252	DECAL, WHEEL LOAD S65 TRAX.....	2
5	28158	DECAL,LABEL,UNLEADED GAS ONLY.....	1	30	133278	DECAL,LOW/ULTRA LOW SULFR FUEL..... <i>Diesel models only</i>	1
6	28159	DECAL,DIESEL.....	1	31	227288	DECAL, OPERATING INSTRUCTIONS.....	1
7	28160	DECAL,LABEL,LIQUID PROPANE..... <i>Option, LPG tank</i>	1	32	1000014	DECAL,NOTICE,OPER INST.S60....	1
8	28161	DECAL,WARN,CRUSH HAZARD HAND.....	1				
9	29104	DECAL,TOWING INSTRUCTIONS..... <i>Option, tow package</i>	1				
10	31788	DECAL,DANGER,BATTERY SAFETY***.....	1				
11	38149	DECAL,LABEL,PATENTS..... <i>US only</i>	1				
12	47041	DECAL,CAUTION,TOWING SPEED..... <i>Option, tow package</i>	1				
13	52607	DECAL,LABEL,TEST***..... <i>Ford only</i>	1				
14	52865	DECAL,ANNUAL INSP***..... <i>ANSI only</i>	1				
15	52966	DECAL,COSMETIC,4 X 2.....	1				
16	52967	DECAL,COSMETIC,4 X 4.....	1				
17	72168	DECAL,LABEL,STARTER BATTERY.....	1				
18	72169	DECAL,LABEL,CONTROLS BATTERY.....	1				
19	72999	DECAL,LABEL,PETRO CANADA***.....	1				
20	82161	DECAL,LABEL,UCON HYDROLUBE.....	1				
21	82366	DECAL,CHEVRON RANDO HD.....	1				
22	114099	DECAL,LABEL,TRANSPORT DIAGRAM.....	1				
23	114219	DECAL,LABEL,RELAYS,S60&65.....	1				
24	114258	DECAL,DANGER,NO SMOKING.....	1				
25	114389	DECAL,DANGER,GENERAL SAFETY.....	1				



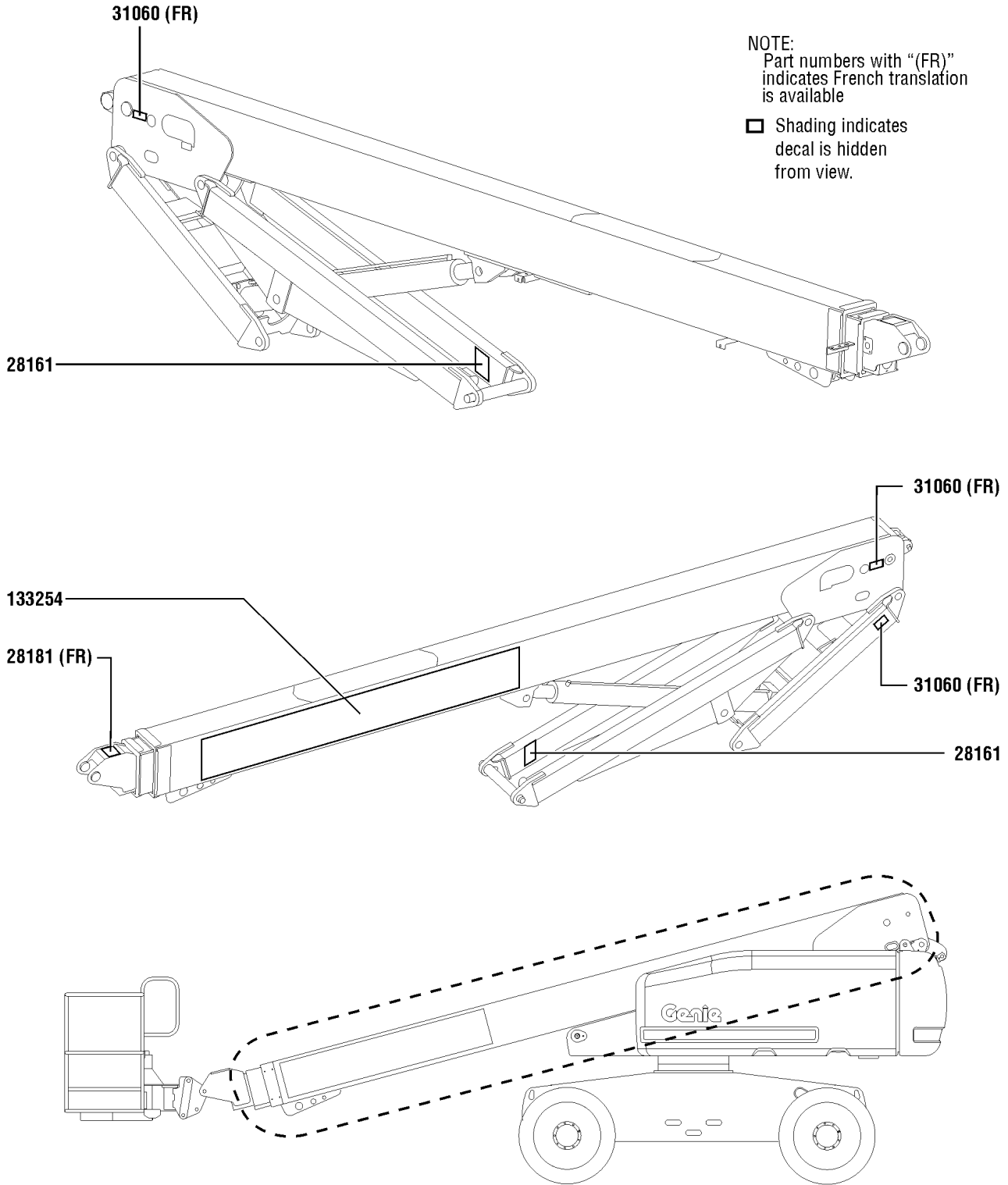
142.1 S-65TX Decals with Word, Engine Side (ANSI & Australia)



142.1 S-65TX Decals with Word, Engine Side (ANSI & Australia)

Item	Part No.	Description	Qty.
1	27204	DECAL,ARROW BLUE.....	1
2	27206	DECAL,TRIANGLE,BLUE.....	1
3	27207	DECAL,TRIANGLE,YELLOW.....	1
4	28161	DECAL,WARN,CRUSH HAZARD HAND.....	1
5	28174	DECAL,POWER TO PLATFORM 230V.....	1
6	28175	DECAL,COMPARTMENT ACCESS.....	1
7	28235	DECAL,POWER TO PLATFORM 115V.....	1
8	44981	DECAL,LABEL,AIRLINE 110 PSI..... <i>Option, airline to plat</i>	1
9	82237	DECAL,DANGER,HIGH VOLTAGE..... <i>Option, welder</i>	2
10	97548	DECAL,ENGINE SPEC,DEUTZ 2011.....	1
11	97602	DECAL,EXPLOSION HAZARD.....	1
12	97875	DECAL,WARN.WELD LINE INST.WORD..... <i>Option, weld cable line</i>	1
13	114099	DECAL,LABEL,TRANSPORT DIAGRAM.....	1
14	114169	DECAL,FORD ENGINE SPEC DSG423.....	1
15	114277	DECAL,LABEL,BELT ROUTING DSG.....	1
16	114390	DECAL,DANGER,ELECT HAZARD***	1
17	133238	DECAL,ENGINE SPEC,PERKINS***	1
18	133250	DECAL,DANGER TIP OVER TRAX.....	2
19	133252	DECAL, WHEEL LOAD S65 TRAX.....	2
20	133260	DECAL,COSM, S65 TRAX.....	1

143.1 S-65TX Decals with Word, Boom (ANSI & Australia)

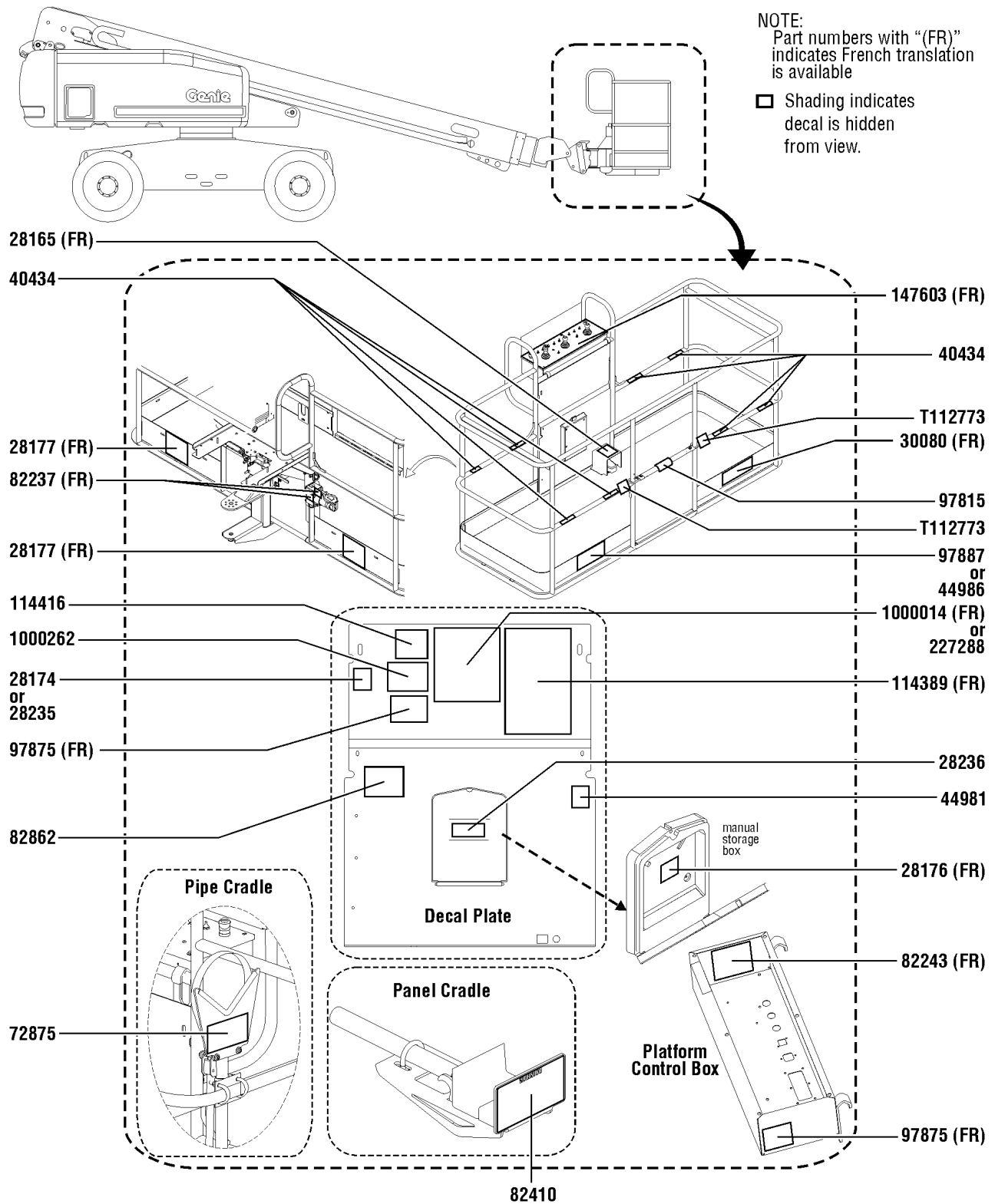


143.1 S-65TX Decals with Word, Boom (ANSI & Australia)

Item	Part No.	Description	Qty.
1	28161	DECAL,WARN,CRUSH HAZARD HAND.....	2
2	28181	DECAL,WARN,FALL HAZARD.....	1
3	31060	DECAL,DANGER DO NOT ALTER SWTC.....	3
4	133254	DECAL, COSM,GENIE S65 TRAX...	1



144.1 S-65TX Decals with Word, Platform (ANSI & Australia)

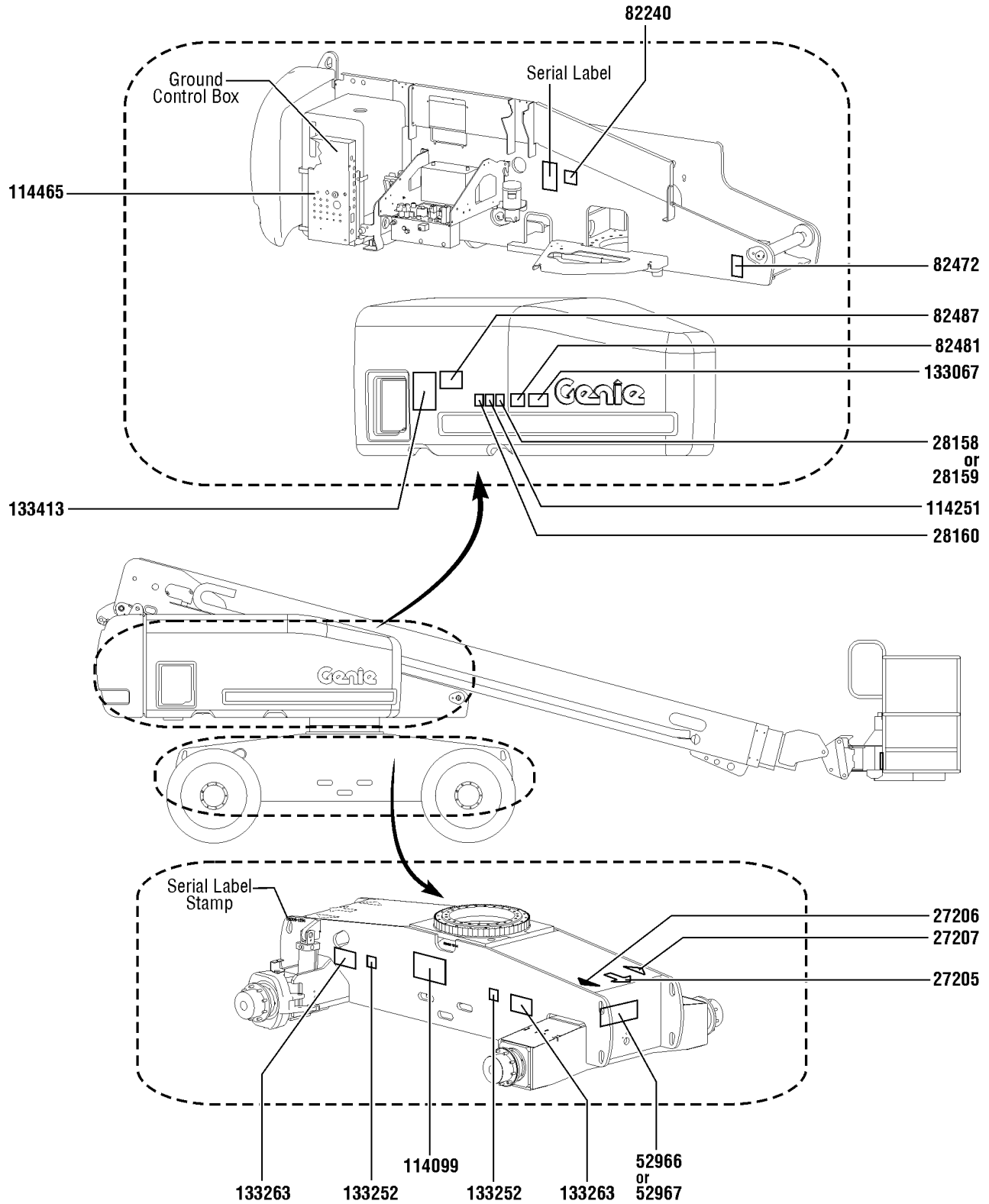


144.1 S-65TX Decals with Word, Platform (ANSI & Australia)

Item	Part No.	Description	Qty.	Item	Part No.	Description	Qty.
1	28165	DECAL,INSTRUCT,FOOTSWITCH OPER.....	1	23	1000014	DECAL,NOTICE,OPER INST.S60....1 <i>ANSI only</i>	1
2	28174	DECAL,POWER TO PLATFORM 230V.....	1	24	1000262	DECAL,DANGER,TIP OVER,PLAT.....	1
3	28176	DECAL,LABEL,MANUAL NOT HERE.....	1	25	T112773	TAPE, PROTECTIVE MASK.....	2
4	28177	DECAL,WARN,CRUSH HAZARD PLAT.....	2				
5	28235	DECAL,POWER TO PLATFORM 115V.....	1				
6	28236	DECAL,WARN,IMPROPER OPERATION.....	1				
7	30080	DECAL,NOTICE,MAX LOAD 500 LBS.....	1				
8	40434	DECAL,LANYARD ANCHORAGE POINT.....	8				
9	44981	DECAL,LABEL,AIRLINE 110 PSI....1 <i>Option, airline to plat</i>	1				
10	44986	DECAL,INSTR,SIDE FRC/WIND,AUS.....1 <i>AUS only</i>	1				
11	72875	DECAL,WARNING,PIPE CRADLE,BOOM.....2 <i>Option, pipe cradle</i>	2				
12	82237	DECAL,DANGER,HIGH VOLTAGE.....2 <i>Option, welder</i>	2				
13	82243	DECAL FAULT CODE.....	1				
14	82410	DECAL,WARNING,PANEL CRADLE.....2 <i>Option, panel cradle</i>	2				
15	82862	DECAL,FIRE EXTINGUISHER.....1 <i>Option, welder</i>	1				
16	97815	DECAL,LABEL,LOWER MIDRAIL....1	1				
17	97875	DECAL,WARN.WELD LINE INST.WORD.....2 <i>Option, weld cable line</i>	2				
18	97887	DECAL,INSTR,MAX SIDE FRC,ANSI.....1 <i>ANSI only</i>	1				
19	114389	DECAL,DANGER,GENERAL SAFETY.....	1				
20	114416	DECAL,DANGER,TIPOVER,TILT....1	1				
21	147603	DECAL, PLAT CNTL PNL.....	1				
22	227288	DECAL, OPERATING INSTRUCTIONS.....1 <i>AUS only</i>	1				



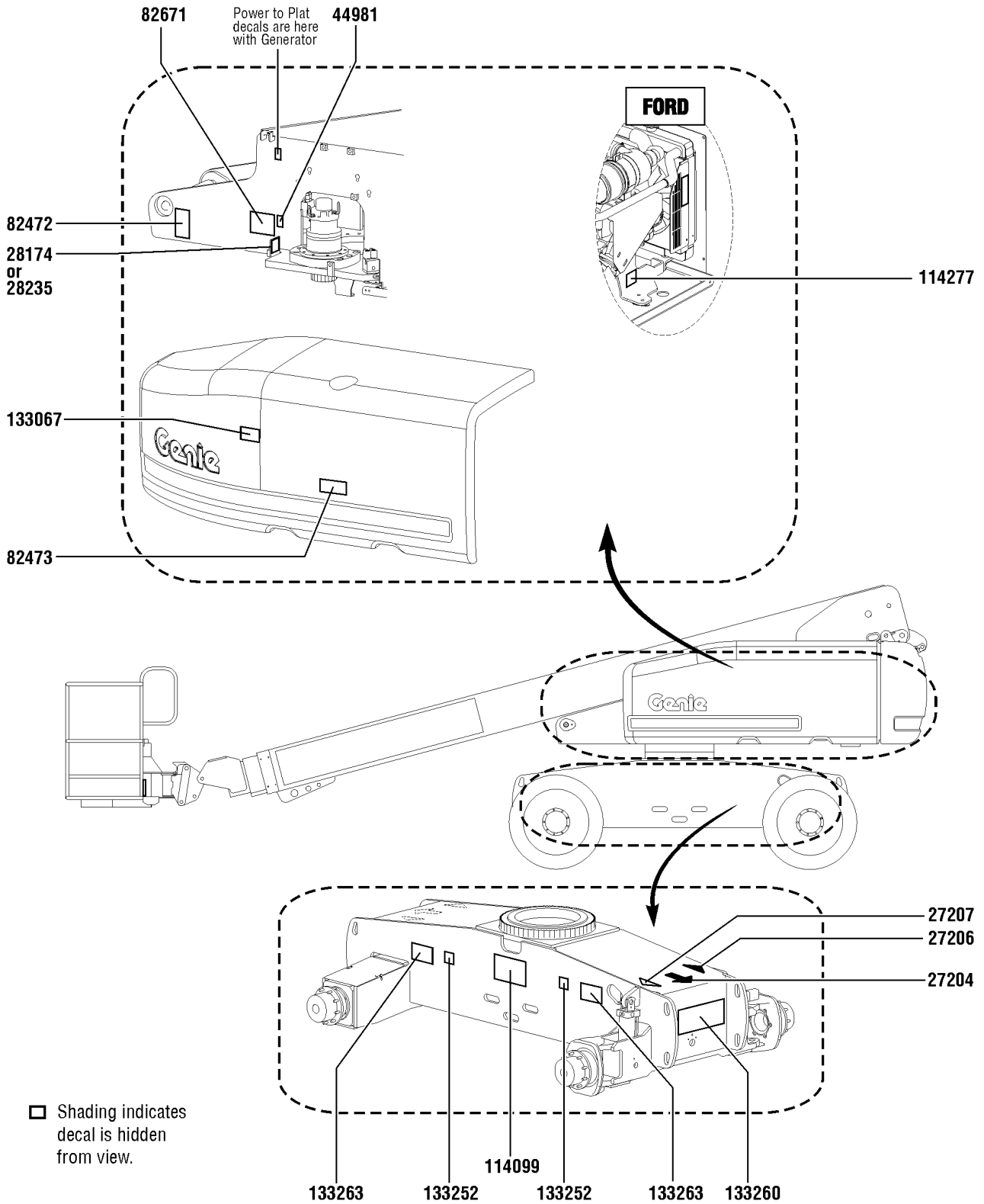
145.1 S-65TX Decals with Symbol, Hydraulic Tank Side (ANSI & CE)



145.1 S-65TX Decals with Symbol, Hydraulic Tank Side (ANSI & CE)

Item	Part No.	Description	Qty.
1	27205	DECAL,ARROW YELLOW LRG 9".....	1
2	27206	DECAL,TRIANGLE,BLUE.....	1
3	27207	DECAL,TRIANGLE,YELLOW.....	1
4	28158	DECAL,LABEL,UNLEADED GAS ONLY.....	1
5	28159	DECAL,DIESEL.....	1
6	28160	DECAL,LABEL,LIQUID PROPANE.....	1
7	52966	DECAL,COSMETIC,4 X 2.....	1
8	52967	DECAL,COSMETIC,4 X 4.....	1
9	82240	DECAL,LABEL,105 DB.....	1
10	82472	DECAL,WARNING,CRUSHING HAZARD.....	1
11	82481	DECAL,SYMBOL-BATTERY SAFETY.....	1
12	82487	DECAL,SYMBOL-READ THE MANUAL.....	1
13	114099	DECAL,LABEL,TRANSPORT DIAGRAM.....	1
14	114251	DECAL,LABEL,NO SMOKING,SYMB.....	1
15	114465	DECAL GROUND CONTROL BOX.....	1
16	133067	DECAL,DANGER,ELEC.HAZ.STAY CLR.....	1
17	133252	DECAL, WHEEL LOAD S65 TRAX.....	2
18	133263	DECAL,LABEL,TIPOVER,TRAX,SYMB.2	
19	133413	DECAL,EMERGENCY LOWERING.....	1

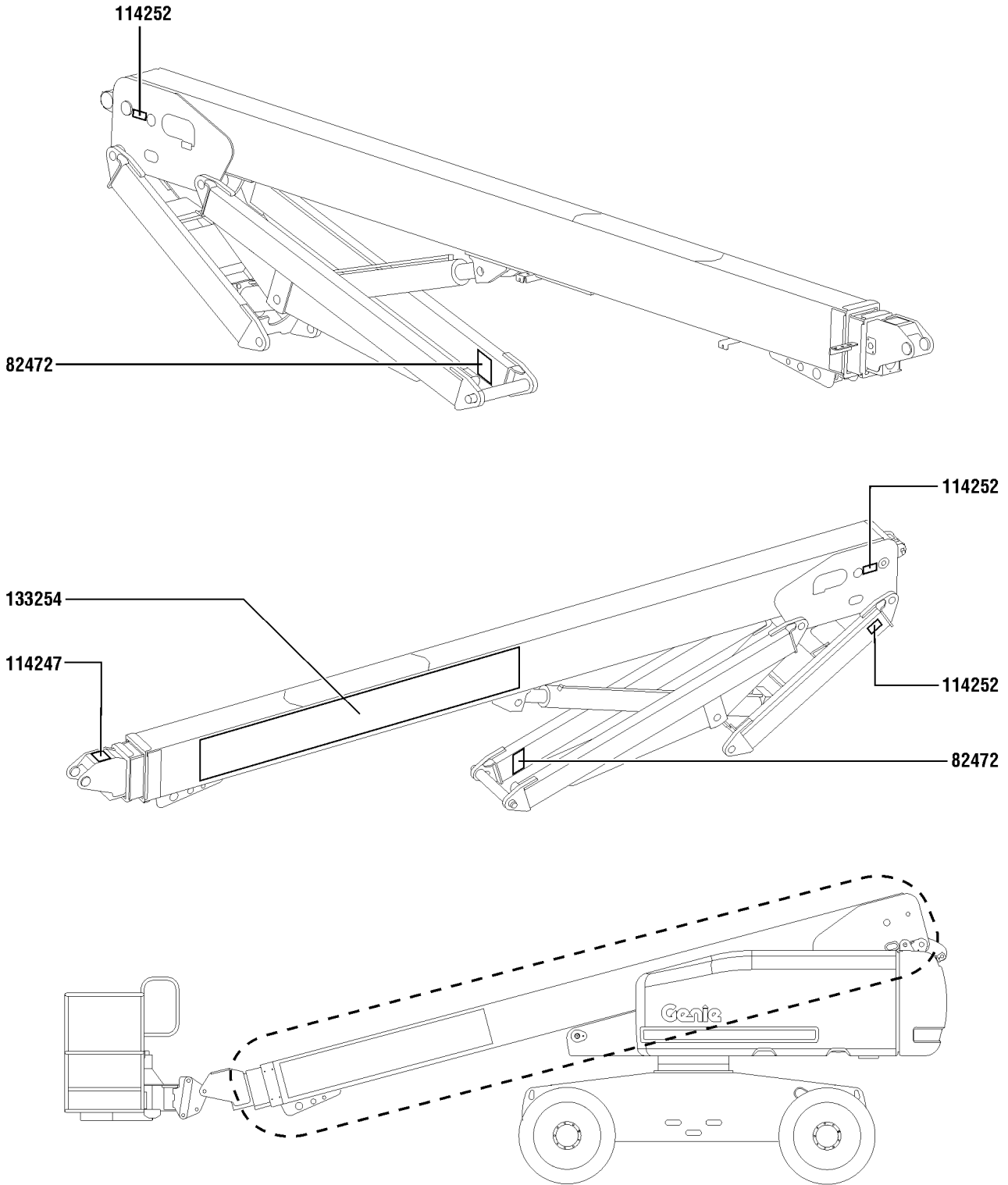
146.1 S-65TX Decals with Symbol, Engine Side (ANSI & CE)



146.1 S-65TX Decals with Symbol, Engine Side (ANSI & CE)

Item	Part No.	Description	Qty.
1	27204	DECAL,ARROW BLUE.....	1
2	27206	DECAL,TRIANGLE,BLUE.....	1
3	27207	DECAL,TRIANGLE,YELLOW.....	1
4	28174	DECAL,POWER TO PLATFORM 230V.....	1
5	28235	DECAL,POWER TO PLATFORM 115V.....	1
6	44981	DECAL,LABEL,AIRLINE 110 PSI..... <i>Option, airline to plat</i>	1
7	82472	DECAL,WARNING,CRUSHING HAZARD.....	1
8	82473	DECAL,SYMBOL-COMP ACCESS.....	1
9	82671	DECAL,LABEL,WELD LINE INST,SYM..... <i>Option, weld cable line</i>	1
10	114099	DECAL,LABEL,TRANSPORT DIAGRAM.....	1
11	114277	DECAL,LABEL,BELT ROUTING DSG.....	1
12	133067	DECAL,DANGER,ELEC.HAZ.STAY CLR.....	1
13	133252	DECAL, WHEEL LOAD S65 TRAX.....	2
14	133260	DECAL,COSM, S65 TRAX.....	1
15	133263	DECAL,LABEL,TIPOVER,TRAX,SYMB.2	

147.1 S-65TX Decals with Symbol, Boom (ANSI & CE)

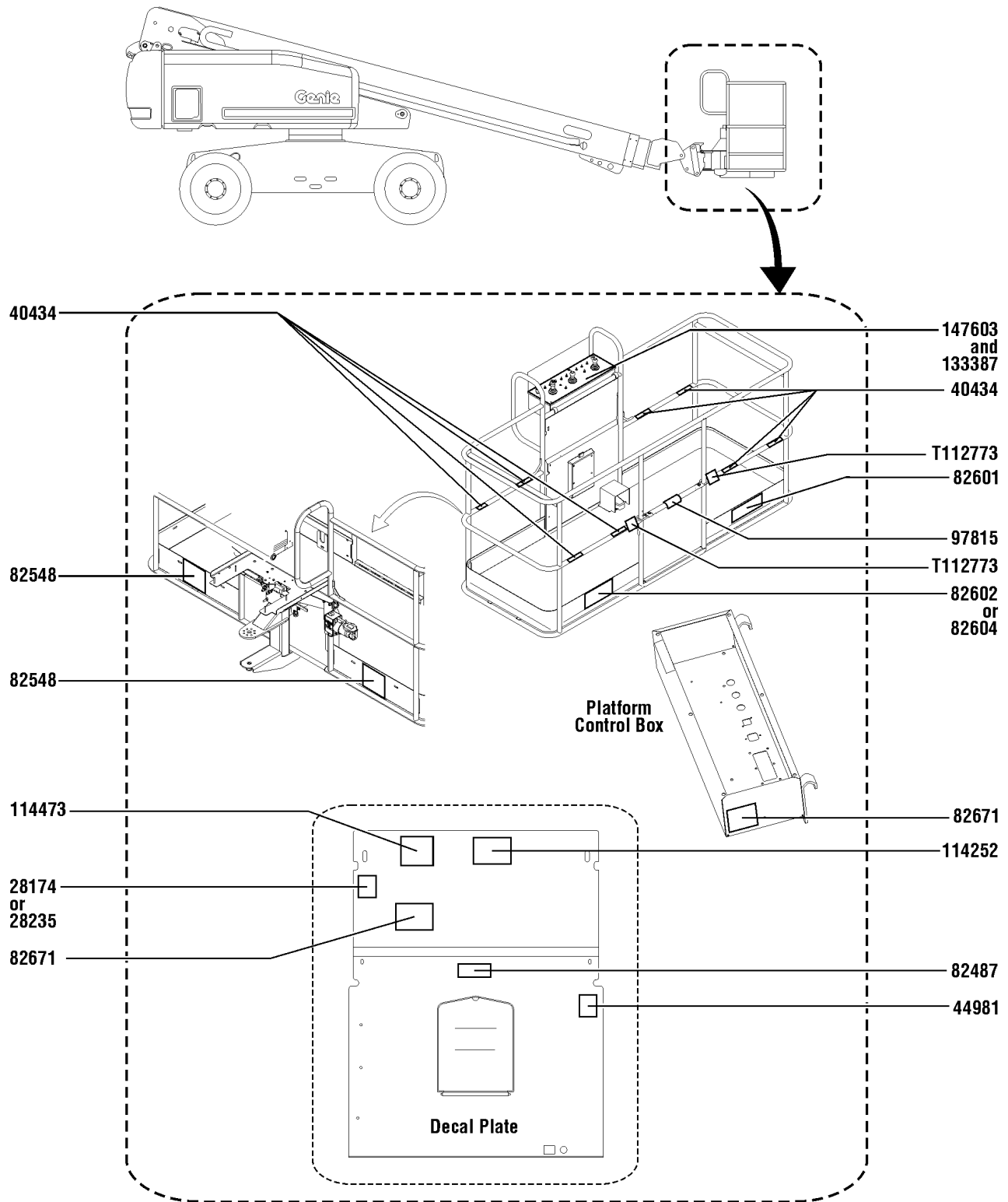


147.1 S-65TX Decals with Symbol, Boom (ANSI & CE)

Item	Part No.	Description	Qty.
1	82472	DECAL,WARNING,CRUSHING HAZARD.....	2
2	114247	DECAL,LABEL,FALL HAZARD***	1
3	114252	DECAL,LABEL,TIP OVER LMT SWTCH.....	3
4	133254	DECAL, COSM,GENIE S65 TRAX...	1



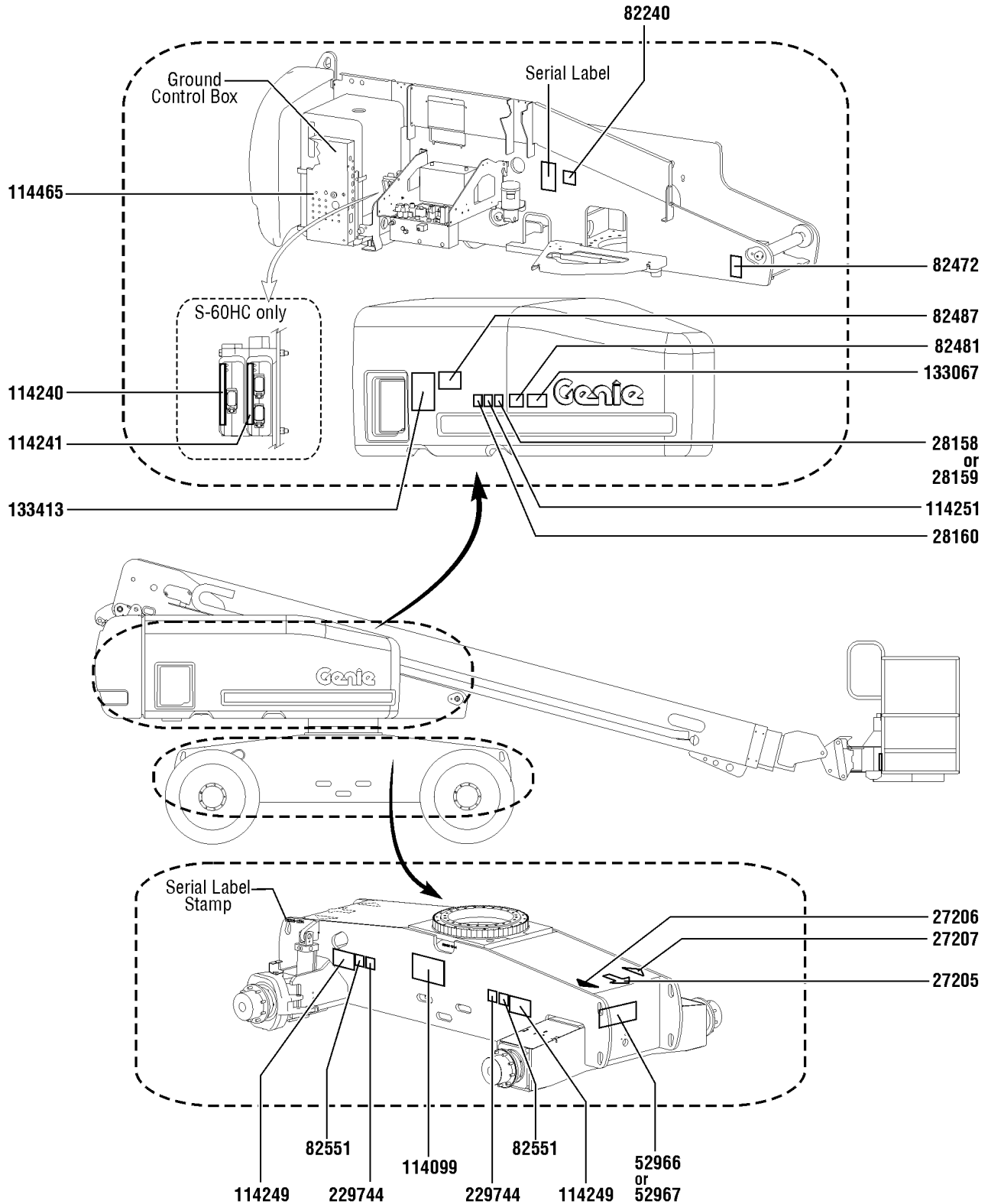
148.1 S-65TX Decals with Symbol, Platform (ANSI & CE)



148.1 S-65TX Decals with Symbol, Platform (ANSI & CE)

Item	Part No.	Description	Qty.
1	28174	DECAL,POWER TO PLATFORM 230V.....	1
2	28235	DECAL,POWER TO PLATFORM 115V.....	1
3	40434	DECAL,LANYARD ANCHORAGE POINT.....	8
4	44981	DECAL,LABEL,AIRLINE 110 PSI..... <i>Option, airline to plat</i>	1
5	82487	DECAL,SYMBOL-READ THE MANUAL.....	1
6	82548	DECAL,WARN,CRUSH HAZARD PLAT.....	2
7	82601	DECAL,LABEL,MAX CAPACITY***.....	1
8	82602	DECAL,DANGER,MAX SIDE FRC,667N..... <i>ANSI only</i>	1
9	82604	DECAL,DANGER,SIDE FRC 400N..... <i>CE only</i>	1
10	82671	DECAL,LABEL,WELD LINE INST,SYM..... <i>Option, weld cable line</i>	2
11	97815	DECAL,LABEL,LOWER MIDRAIL....	1
12	114252	DECAL,LABEL,TIP OVER LMT SWTCH.....	1
13	114473	DECAL,DANGER,TIPOVER,TILT,SYM.	1
14	133387	DECAL,DRIVE ENABLE PATCH....	1
15	147603	DECAL, PLAT CNTL PNL.....	1
16	T112773	TAPE, PROTECTIVE MASK.....	2

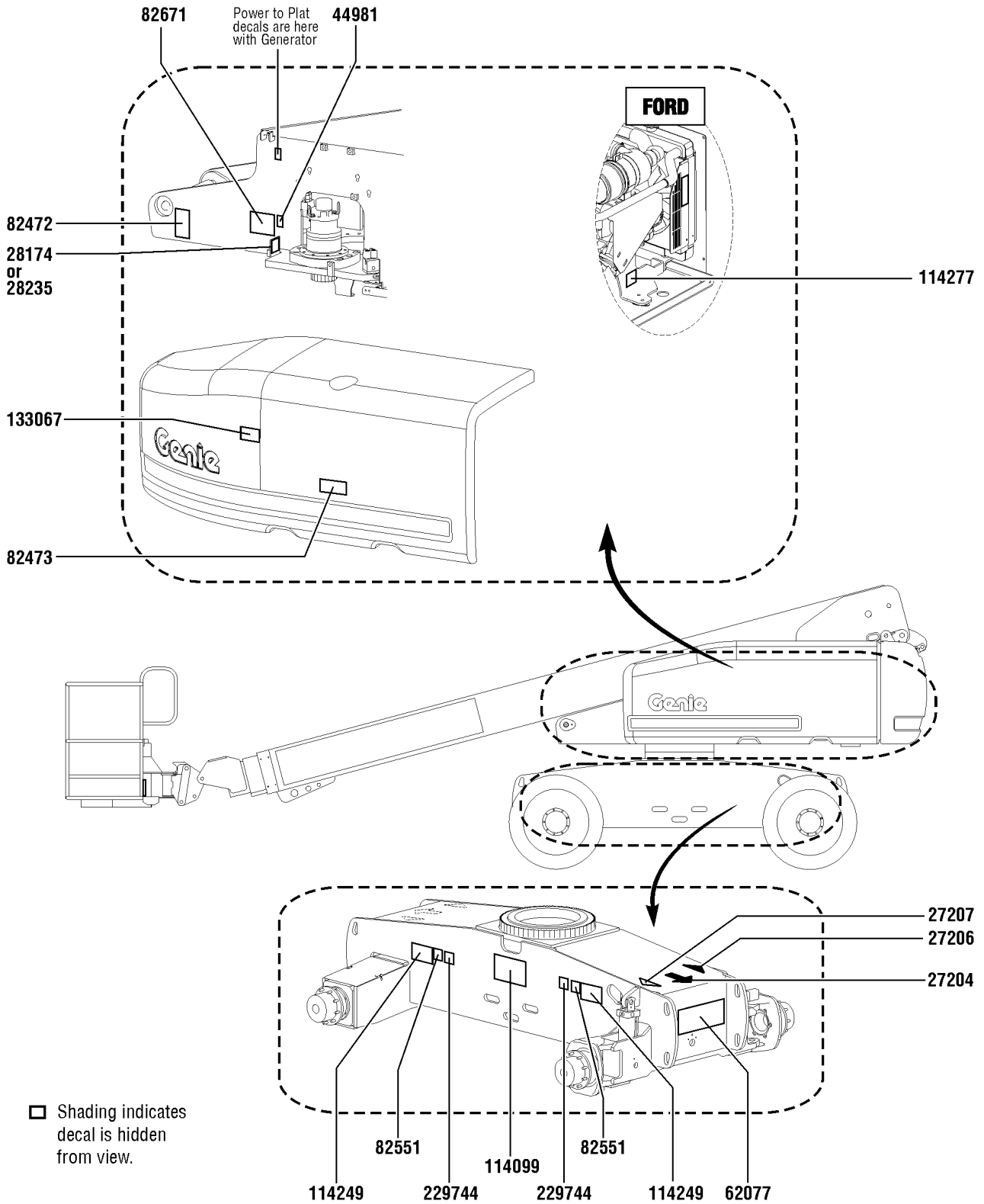
149.1S-60HC Decals with Symbol, Hydraulic Tank Side (CE)



149.1S-60HC Decals with Symbol, Hydraulic Tank Side (CE)

Item	Part No.	Description	Qty.
1	27205	DECAL,ARROW YELLOW LRG 9".....	1
2	27206	DECAL,TRIANGLE,BLUE.....	1
3	27207	DECAL,TRIANGLE,YELLOW.....	1
4	28158	DECAL,LABEL,UNLEADED GAS ONLY.....	1
5	28159	DECAL,DIESEL.....	1
6	28160	DECAL,LABEL,LIQUID PROPANE..... <i>Option, LPG tank</i>	1
7	52966	DECAL,COSMETIC,4 X 2.....	1
8	52967	DECAL,COSMETIC,4 X 4.....	1
9	82240	DECAL,LABEL,105 DB.....	1
10	82472	DECAL,WARNING,CRUSHING HAZARD.....	1
11	82481	DECAL,SYMBOL-BATTERY SAFETY.....	1
12	82487	DECAL,SYMBOL-READ THE MANUAL.....	1
13	82551	DECAL,LABEL,TIRE PRESSURE S60.....	2
14	114099	DECAL,LABEL,TRANSPORT DIAGRAM.....	1
15	114240	LABEL,TCON SOFTWARE,S60HC.....	1
16	114241	LABEL,SCON SOFTWARE,S60HC.....	1
17	114249	DECAL,LABEL,TIPOVER,TIRES,SYMB.2	
18	114251	DECAL,LABEL,NO SMOKING,SYMB.....	1
19	114465	DECAL GROUND CONTROL BOX.....	1
20	133067	DECAL,DANGER,ELEC.HAZ.STAY CLR.....	1
21	133413	DECAL,EMERGENCY LOWERING.....	1
22	229744	DECAL,LABEL,WHEEL LOAD S60H/XC.....	2

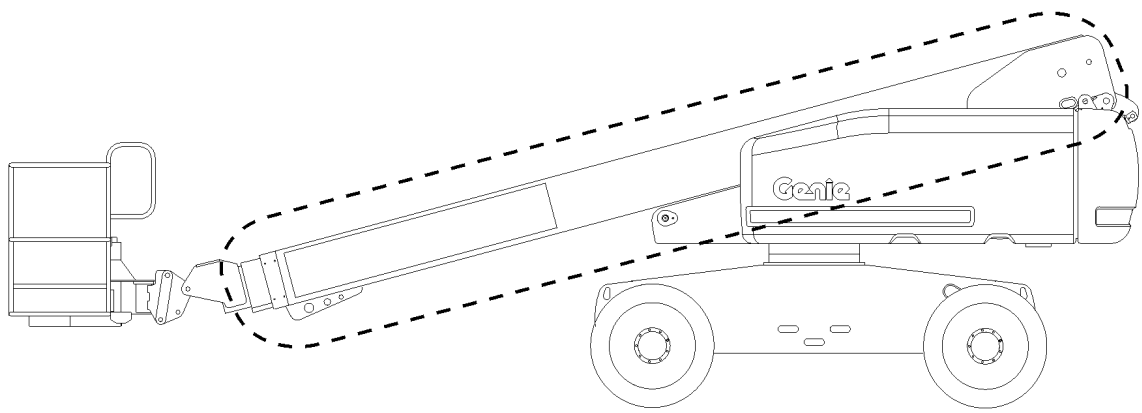
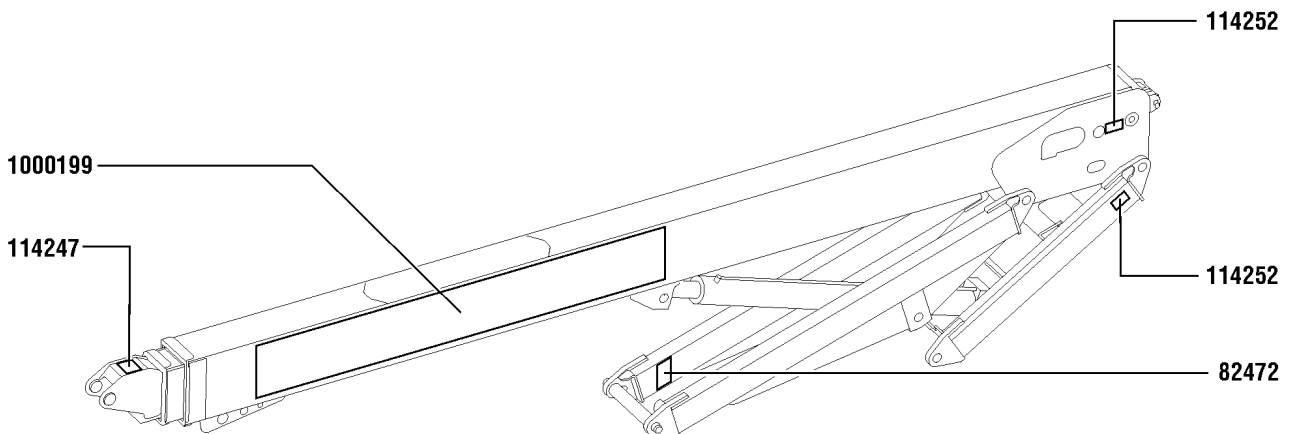
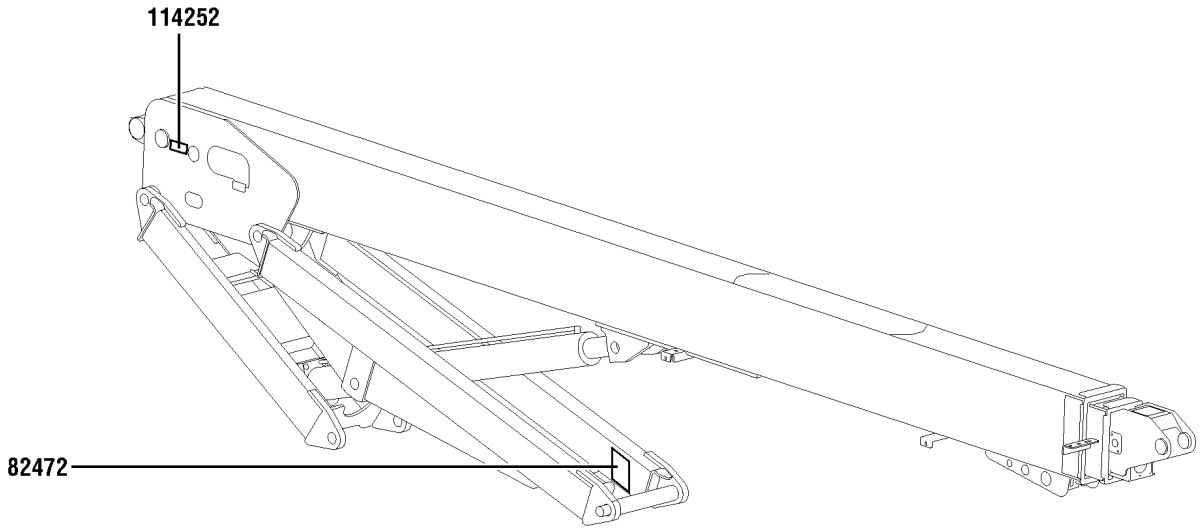
150.1 S-60HC Decals with Symbol, Engine Side (CE)



150.1 S-60HC Decals with Symbol, Engine Side (CE)

Item	Part No.	Description	Qty.
1	27204	DECAL,ARROW BLUE.....	1
2	27206	DECAL,TRIANGLE,BLUE.....	1
3	27207	DECAL,TRIANGLE,YELLOW.....	1
4	28174	DECAL,POWER TO PLATFORM 230V.....	1
5	28235	DECAL,POWER TO PLATFORM 115V.....	1
6	44981	DECAL,LABEL,AIRLINE 110 PSI..... <i>Option, airline to plat</i>	1
7	62077	DECAL,COSMETIC,S60.....	1
8	82472	DECAL,WARNING,CRUSHING HAZARD.....	1
9	82473	DECAL,SYMBOL-COMP ACCESS.....	1
10	82551	DECAL,LABEL,TIRE PRESSURE S60.....	2
11	82671	DECAL,LABEL,WELD LINE INST,SYM..... <i>Option, weld cable line</i>	1
12	114099	DECAL,LABEL,TRANSPORT DIAGRAM.....	1
13	114249	DECAL,LABEL,TIPOVER,TIRES,SYMB.2	
14	114277	DECAL,LABEL,BELT ROUTING DSG.....	1
15	133067	DECAL,DANGER,ELEC.HAZ.STAY CLR.....	1
16	229744	DECAL,LABEL,WHEEL LOAD S60H/XC.....	1

151.1 S-60HC Decals with Symbol, Boom (CE)

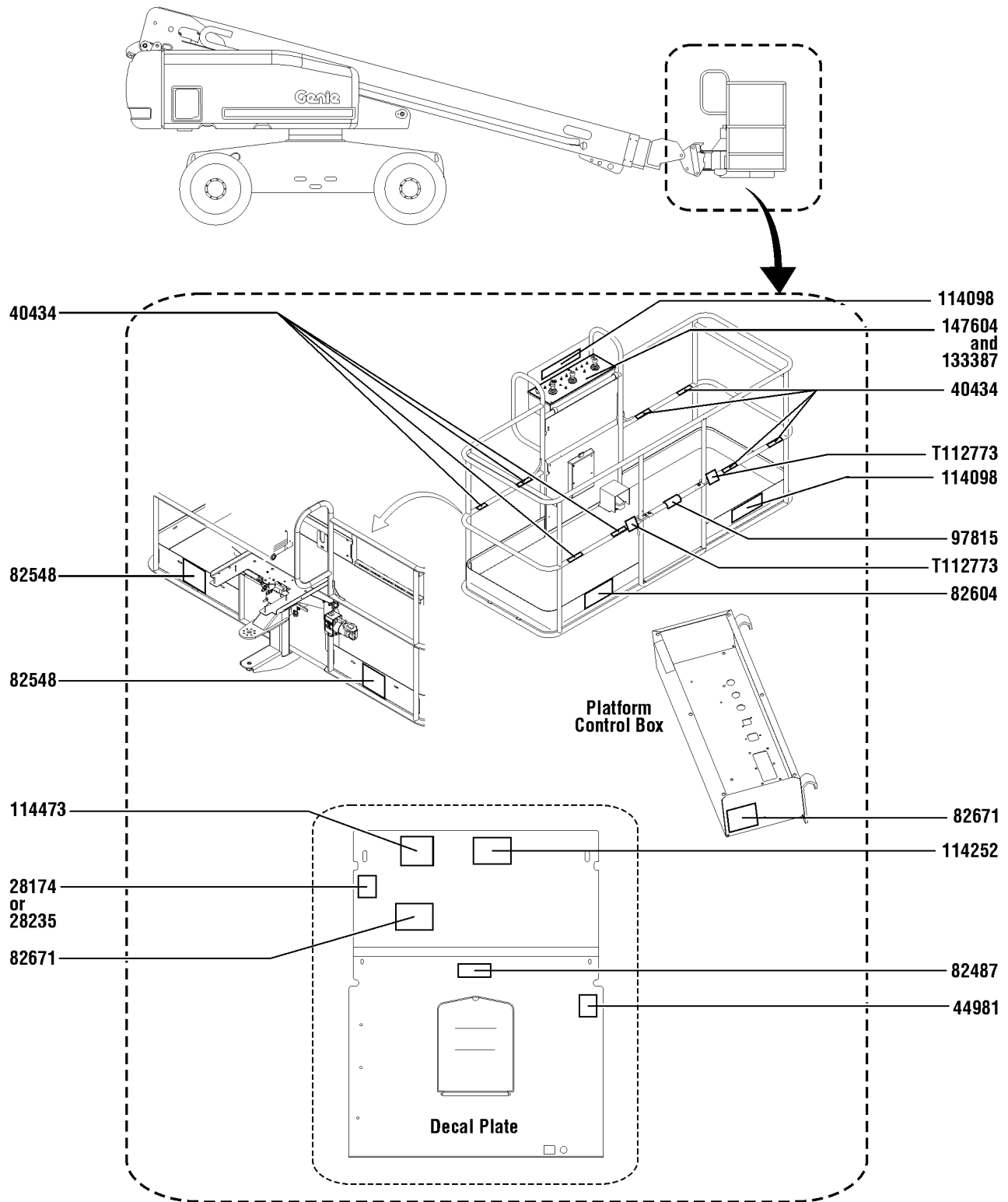


151.1 S-60HC Decals with Symbol, Boom (CE)

Item	Part No.	Description	Qty.
1	82472	DECAL,WARNING,CRUSHING HAZARD.....	2
2	114247	DECAL,LABEL,FALL HAZARD***	1
3	114252	DECAL,LABEL,TIP OVER LMT SWTCH.....	3
4	1000199	DECAL,COSMETIC,GENIE S-60HC.....	1



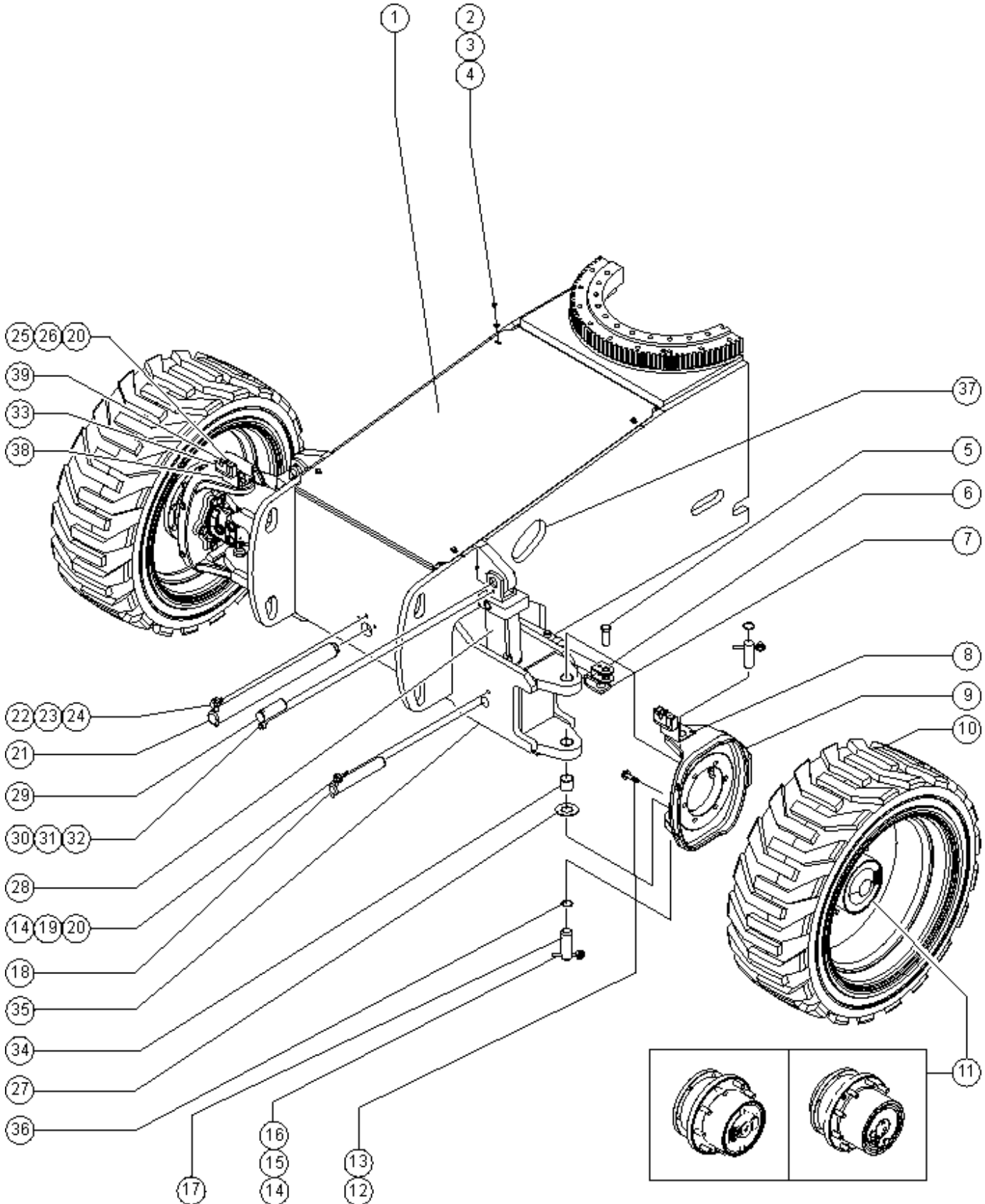
152.1 S-60HC Decals with Symbol, Platform (CE)



152.1 S-60HC Decals with Symbol, Platform (CE)

Item	Part No.	Description	Qty.
1	28174	DECAL,POWER TO PLATFORM 230V.....	1
2	28235	DECAL,POWER TO PLATFORM 115V.....	1
3	40434	DECAL,LANYARD ANCHORAGE POINT.....	8
4	44981	DECAL,LABEL,AIRLINE 110 PSI..... <i>Option, airline to plat</i>	1
5	82487	DECAL,SYMBOL-READ THE MANUAL.....	1
6	82548	DECAL,WARN,CRUSH HAZARD PLAT.....	2
7	82604	DECAL,DANGER,SIDE FRC 400N.....	1
8	82671	DECAL,LABEL,WELD LINE INST,SYM..... <i>Option, weld cable line</i>	2
9	97815	DECAL,LABEL,LOWER MIDRAIL....	1
10	114098	DECAL,DANGER,MAX LOAD S60HCSYM.....	2
11	114252	DECAL,LABEL,TIP OVER LMT SWTCH.....	1
12	114473	DECAL,DANGER,TIPOVER,TILT,SYM.	1
13	133387	DECAL,DRIVE ENABLE PATCH....	1
14	147604	DECAL, PLAT CNTL PNL 60HC....	1
15	T112773	TAPE, PROTECTIVE MASK.....	2

201.1 Steer End (to SN 26295)



201.1 Steer End (to SN 26295)

Item	Part No.	Description	Qty.	Item	Part No.	Description	Qty.
--		<i>4WD models (to SN S6012-23571) Visually identify which hub before ordering parts. ID tag is on end cover cap. Hubs are not interchangeable, internal components are different for each type. All four hubs must be the same to avoid damage.</i>		10D	94534	WHEEL & TIRE ASSY,RH,NM.....2 <i>RT, Air-filled, Non-marking, right (S-60,S-65,S-60X)</i>	
1	94507	COVER, WITH DECALS, STEER END*		10D	94535	WHEEL & TIRE ASSY,LH NM.....2 <i>RT, Air-filled, Non-marking, left (S-60,S-65,S-60X)</i>	
2	7339	SCREW,HHC,1/4-20 X .5		--	88727	WHEEL 24.5X11.75-9 HOLE <i>for 94534 & 94535</i>	
3	6638	WASHER,FLAT,USS,1/4"Y		--	94536	TIRE,355/55D625,14 PLY,NM <i>for 94534 & 94535</i>	
4	56912	SPRING CLIP,1/4-20,.025-.15X.5		10E	106647	TIRE & WHEEL ASSY,RH,FOAM,NM.....2 <i>RT, Foam-filled, Non-marking, right (S-60,S-65,S-60X,S-60XC, S-60HC; overall diameter: 37 inches)</i>	
5	19440	PIN,CLEVIS,1 X 2.5 LG.....6		10E	106648	TIRE & WHEEL ASSY,LH,FOAM,NM.....2 <i>RT, Foam-filled, Non-marking, left (S-60,S-65,S-60X,S-60XC, S-60HC; overall diameter: 37 inches)</i>	
--	74389	RUE RING 1.00		10F	110728	TIRE/WHEEL ASSY,LP RT W/SEALAN.....2 <i>RT, Air-filled, with sealant, left (S-60,S-65,S-60X)</i>	
6	59460	CYLINDER,STEERING***2		--	110727	TIRE/WHEEL ASSY,LP RT W/SEALAN.....2 <i>RT, Air-filled, with sealant, right (S-60,S-65,S-60X)</i>	
--	89294	SEAL KIT CYLINDER (59460)		10G	110730	TIRE/WHEEL ASSY,LP NM W/SEALAN.....2 <i>RT, Air-filled, Non-marking, with sealant, right (S-60,S-65,S-60X)</i>	
7	77643	TIE ROD WELDMENT,S60.....1		--	110731	TIRE/WHEEL ASSY,LP NM W/SEALAN.....2 <i>RT, Air-filled, Non-marking, with sealant, left (S-60,S-65,S-60X)</i>	
8	107615P	BRACKET,HOSE ROUTING,LH,PTD.....1		10H	110733	TIRE/WHEEL ASSY,HF W/SEALANT.....4 <i>Turf, Air-filled, with sealant (S-60,S-65)</i>	
9	77725	YOKE ASSEMBLY W/BEARINGS,RH		11A	88884	MOTOR,PISTON,30CC,4WD***2 <i>4WD models</i>	
9	77726	YOKE ASSEMBLY W/BEARINGS,LH		--	102155	BEARING,BALL DRIVE SHAFT <i>for 88884</i>	
--	25817	BEARING,1.00IDX1.25ODX1.00L		--	102158	O-RING,.103 X 4.737,VITON, 75D <i>for 88884</i>	
--	77725	YOKE ASSEMBLY W/BEARINGS,RH		--	102159	SHAFT,15 TOOTH <i>for 88884</i>	
10A	88729	TIRE & WHEEL ASSY,AIR,RH***2 <i>RT, Air-filled, right (S-60,S-65)</i>		--	106098	SEAL KIT,MOTOR,LC/KC*** <i>for 88884</i>	
10A	88730	TIRE & WHEEL ASSY,AIR,LH.....2 <i>RT, Air-filled, left (S-60,S-65)</i>					
--	88727	WHEEL 24.5X11.75-9 HOLE <i>for 88730 & 88729</i>					
--	88728	TIRE,355/55D625,OUTRIGGER,LP <i>for 88730 & 88729</i>					
10B	77790	TIRE & WHEEL ASSY RH,FF.....2 <i>RT, Foam-filled, right (S-60,S-65,S-60X,S-60XC, S-60HC; overall diameter: 37 inches)</i>					
10B	77791	TIRE & WHEEL ASSY,LH FF***2 <i>RT, Foam-filled, left (S-60,S-65,S-60X,S-60XC, S-60HC; overall diameter: 37 inches)</i>					
10C	94332	TIRE & WHEEL ASSY,TURF SPEC***4 <i>Turf, Air-filled (S-60,S-65)</i>					
--	81164	TIRE,41/18LL X 22.5,14PR,TURF* <i>for 94332</i>					
--	94333	WHEEL,22.5X14.00*** <i>for 94332</i>					



201.1 Steer End (to SN 26295)
(continued)

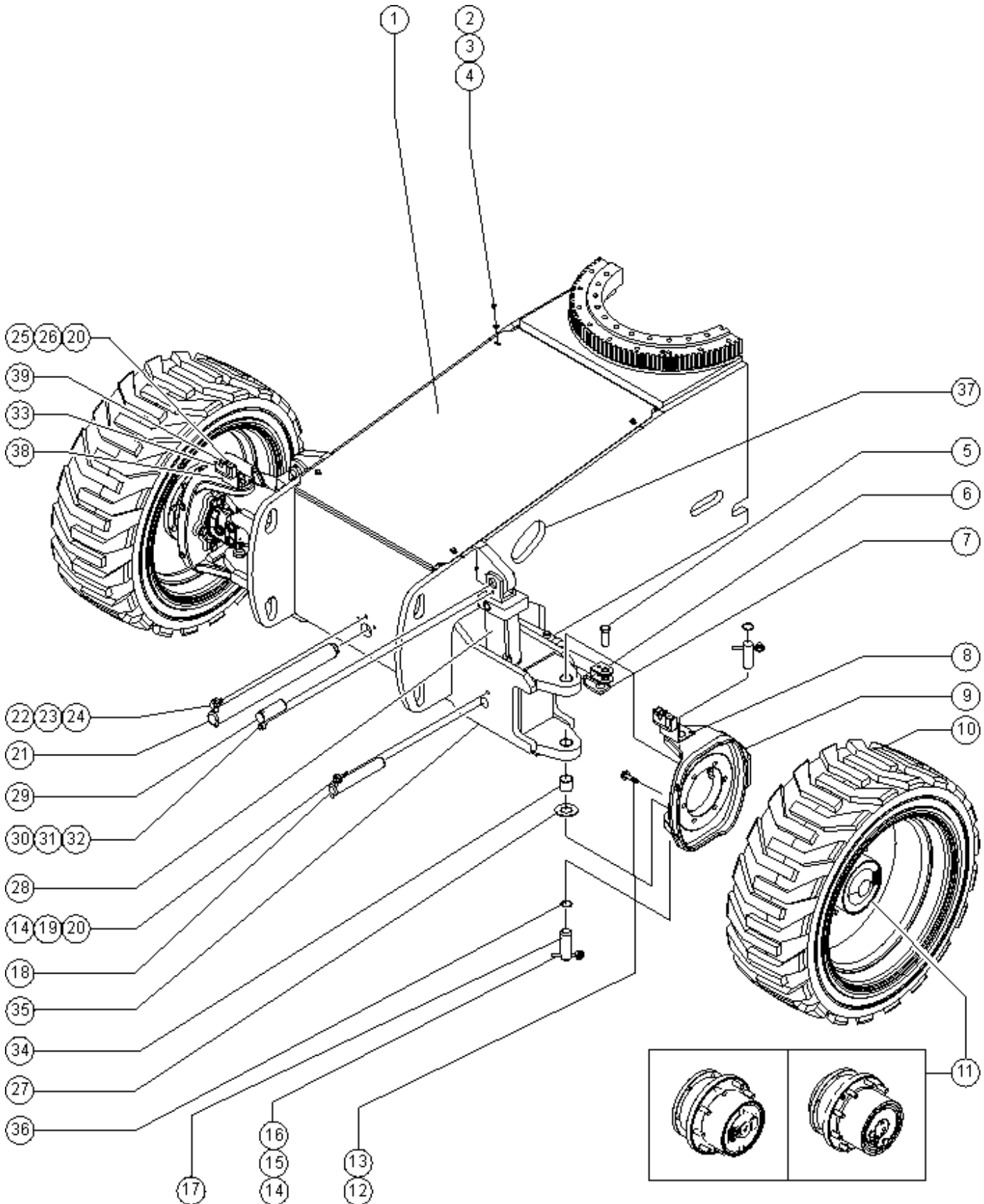
Item	Part No.	Description	Qty.	Item	Part No.	Description	Qty.
--	27067	SEAL,SHAFT-SUNDSTRAND*** for 88884		--	139965	WHEEL STUD,5/8-18,OMNI*** for 229702	
--	72290	SNAP RING(M46 UNITS)* for 88884		--	139966	ROD,DISCONNECT,OMNI*** for 229702	
11B	88886	WHEEL DRIVE 56:1 4WD***.....2 TYPE: RR. 4WD models (to SN S6012-23571) Visually identify which hub before ordering parts. ID tag is on end cover cap. Hubs are not interchangable, internal components are different for each type.		--	139967	CAP,DISENGAGE,OMNI*** for 229702	
--	102126	SEAL KIT,DRIVE HUB (88887)*** for 88886. Lip seal comes in seal kit, not available individually.		--	139968	O-RING,END COVER,OMNI*** for 229702	
--	102131	DISCONNECT KIT (88887) for 88886. Comes with disconnect rod, cover, and mounting screws.		--	139969	LINING KIT,BRAKE,OMNI*** for 229702	
--	102157	O-RING,.070 X .239,VITON 75D for 88886		--	139970	SEAL KIT,BRAKE,OMNI*** for 229702	
--	102162	LUG,STUD/WHEEL (88887) for 88886. Clipped style head.		--	139971	BEARING KIT,OMNI*** for 229702	
--	102163	RING,RETAINING*** for 88886		--	139972	SEAL KIT,GEARBOX,OMNI*** for 229702	
--	102164	COVER,END,KIT (88887)*** for 88886. Includes disconnect cover and o-ring. Drain plugs not included see PN 102684.		--	147033	O-RING,PIPE PLUG KIT,OMNI*** for 229702	
--	102166	VALVE,CHECK,30 PSI for 88886		--	147034	PIPE PLUG KIT,OMNI*** for 229702	
--	102167	SHAFT,INPUT DRIVE HUB (88887) for 88886		12	73455	SCREW,HHC,5/8-11 X 2.25 GR8.....12	
--	102516	RING,RETAINING,INTERNAL for 88886		13	13064	WASHER,FLAT,.625 HARDENED.....12	
--	102684	PLUG,DRAIN,RR TRANS.DRIVE HUBS for 88886		14	45226	ROD END,.375 X 3.69	
--	215340	LOCKRING, RR for 88886		15	8255	SCREW,HHC,3/8-16 X .75	
--	215642	BRAKE KIT (88886)*** for 88886		16	6021	WASHER,LOCK,.375	
11C	229702	WHEEL DRIVE 57.5:1 4WD.....2 TYPE: OMNI. 4WD models (from SN S6012-23572) Visually identify which hub before ordering parts. ID tag is on end cover cap. Hubs are not interchangable, internal components are different for each type.		17	110221	PIN,GROOVE/HOLE,1.50 DIAX4.375.....4	
--	1260084	END CAP, WHEEL DRIVE for 229702		18	77880	PIN,1.50DIAX9.38LG,1HOLE.....2	
				19	5224	SCREW,HHC,3/8-16 X 2	
				20	4828	NUT,NYLOCK,3/8-16	
				21	77610	PIN,2.00DIAX23.13LG,CHAMFER...1	
				22	30418	ROD END,.50 X 4	
				23	8177	SCREW,HHC,1/2-13 X 1.5	
				24	6033	WASHER,LOCK,0.5"	
				25	6326	SCREW,HHC,3/8-16 X 3	
				26	6097	WASHER,FLAT,USS,3/8",Y	
				27	45074	WASHER,THRUST,1.5 X 3.5 X .187.....2	
				28	110578	CYLINDER,OSCILLATE,S60.....2	
				--	101255	SEAL KIT (89675)	
				--	33428	VALVE,COUNTERBALANCE	
				29	94221	PIN,1.50DIAX3.75LG,1HOLE.....2	



201.1 Steer End (to SN 26295)
(continued)

Item	Part No.	Description	Qty.
30	25284	ROD END,.375 X 2.25***	
31	6021	WASHER,LOCK,.375	
32	6175	SCREW,HHC,3/8-16 X 1	
33	106516	CLAMP,HOSE,2X4,1X6,2X8***2	
34	45071	BEARING,1.5IDX1.75ODX1.5L	
35	119146	AXLE ASSEMBLY,S60 FRONT.....1 <i>Includes item 34</i>	
--	42014	BEARING,2.00IDX2.25ODX2.00L....2	
36	18383	SNAP RING,EXTERNAL,1.5 DIA***	
37	53386	GUARD, HOSE PROTECTOR.....1	
38	107616P	BRACKET,HOSE ROUTING,RH,PNTD.....1	
39	106517P	CLAMP TOP,HOSE ROUTING PAINTED.....2	

201.2 Steer End (from SN 26296)



201.2 Steer End (from SN 26296)

Item	Part No.	Description	Qty.	Item	Part No.	Description	Qty.
--		<i>4WD models (to SN S6012-23571) Visually identify which hub before ordering parts. ID tag is on end cover cap. Hubs are not interchangeable, internal components are different for each type. All four hubs must be the same to avoid damage.</i>		10D	94534	WHEEL & TIRE ASSY,RH,NM.....2 <i>RT, Air-filled, Non-marking, right (S-60,S-65,S-60X)</i>	
1	94507	COVER, WITH DECALS, STEER END*		10D	94535	WHEEL & TIRE ASSY,LH NM.....2 <i>RT, Air-filled, Non-marking, left (S-60,S-65,S-60X)</i>	
2	7339	SCREW,HHC,1/4-20 X .5		--	88727	WHEEL 24.5X11.75-9 HOLE <i>for 94534 & 94535</i>	
3	6638	WASHER,FLAT,USS,1/4"Y		--	94536	TIRE,355/55D625,14 PLY,NM <i>for 94534 & 94535</i>	
4	56912	SPRING CLIP,1/4-20,.025-.15X.5		10E	106647	TIRE & WHEEL ASSY,RH,FOAM,NM.....2 <i>RT, Foam-filled, Non-marking, right (S-60,S-65,S-60X,S-60XC,S-60HC; overall diameter: 37 inches)</i>	
5	19440	PIN,CLEVIS,1 X 2.5 LG.....6		10E	106648	TIRE & WHEEL ASSY,LH,FOAM,NM.....2 <i>RT, Foam-filled, Non-marking, left (S-60,S-65,S-60X,S-60XC,S-60HC; overall diameter: 37 inches)</i>	
--	74389	RUE RING 1.00		10F	110727	TIRE/WHEEL ASSY,LP RT W/SEALAN.....2 <i>RT, Air-filled, with sealant, left (S-60,S-65,S-60X)</i>	
6	59460	CYLINDER,STEERING***2		10F	110728	TIRE/WHEEL ASSY,LP RT W/SEALAN.....2 <i>RT, Air-filled, with sealant, right (S-60,S-65,S-60X)</i>	
--	89294	SEAL KIT CYLINDER (59460)		--	162212	WHEEL 24.5X11.75-9 x9 BCD <i>for 162220, 162221, 162222, 162223, 162224, 162225</i>	
7	77643	TIE ROD WELDMENT,S60.....1		--	162213	TIRE, RT,355/55D625 <i>for 162214, 162215, 162218, 162219</i>	
8	107615P	BRACKET,HOSE ROUTING,LH,PTD.....1		10G	110730	TIRE/WHEEL ASSY,LP NM W/SEALAN.....2 <i>RT, Air-filled, Non-marking, with sealant, right (S-60,S-65,S-60X)</i>	
9	77725	YOKE ASSEMBLY W/BEARINGS,RH		10G	110731	TIRE/WHEEL ASSY,LP NM W/SEALAN.....2 <i>RT, Air-filled, Non-marking, with sealant, left (S-60,S-65,S-60X)</i>	
9	77726	YOKE ASSEMBLY W/BEARINGS,LH		--	162212	WHEEL, 24.5X11.75, 9 X 9 BCD <i>for 162220, 162221, 162222, 162223, 162224, 162225</i>	
--	25817	BEARING,1.00IDX1.25ODX1.00L		--	162228	TIRE, NM RT,355/55D625 <i>for 12224 and 162225</i>	
--	77725	YOKE ASSEMBLY W/BEARINGS,RH		10H	110733	TIRE/WHEEL ASSY,HF W/SEALANT.....4 <i>Turf, Air-filled, with sealant (S-60,S-65,S-60X)</i>	
10A	88729	TIRE & WHEEL ASSY,AIR,RH***2 <i>RT, Air-filled, left (S-60,S-65,S-60X)</i>					
10A	88730	TIRE & WHEEL ASSY,AIR,LH.....2 <i>RT, Air-filled, right (S-60,S-65,S-60X)</i>					
--	88727	WHEEL 24.5X11.75-9 HOLE <i>for 88730 & 88729</i>					
--	88728	TIRE,355/55D625,OUTRIGGER,LP <i>for 88730 & 88729</i>					
10B	77790	TIRE & WHEEL ASSY RH,FF.....2 <i>RT, Foam-filled, left (S-60,S-65,S-60X,S-60XC,S-60HC; overall diameter: 37 inches)</i>					
10B	77791	TIRE & WHEEL ASSY,LH FF***2 <i>RT, Foam-filled, right (S-60,S-65,S-60X,S-60XC,S-60HC; overall diameter: 37 inches)</i>					
10C	94332	TIRE & WHEEL ASSY,TURF SPEC***4 <i>Turf, Air-filled (S-60,S-65,S-60X)</i>					
--	81164	TIRE,41/18LL X 22.5,14PR,TURF* <i>for 94332</i>					
--	94333	WHEEL,22.5X14.00*** <i>for 94332</i>					



201.2 Steer End (from SN 26296)
(continued)

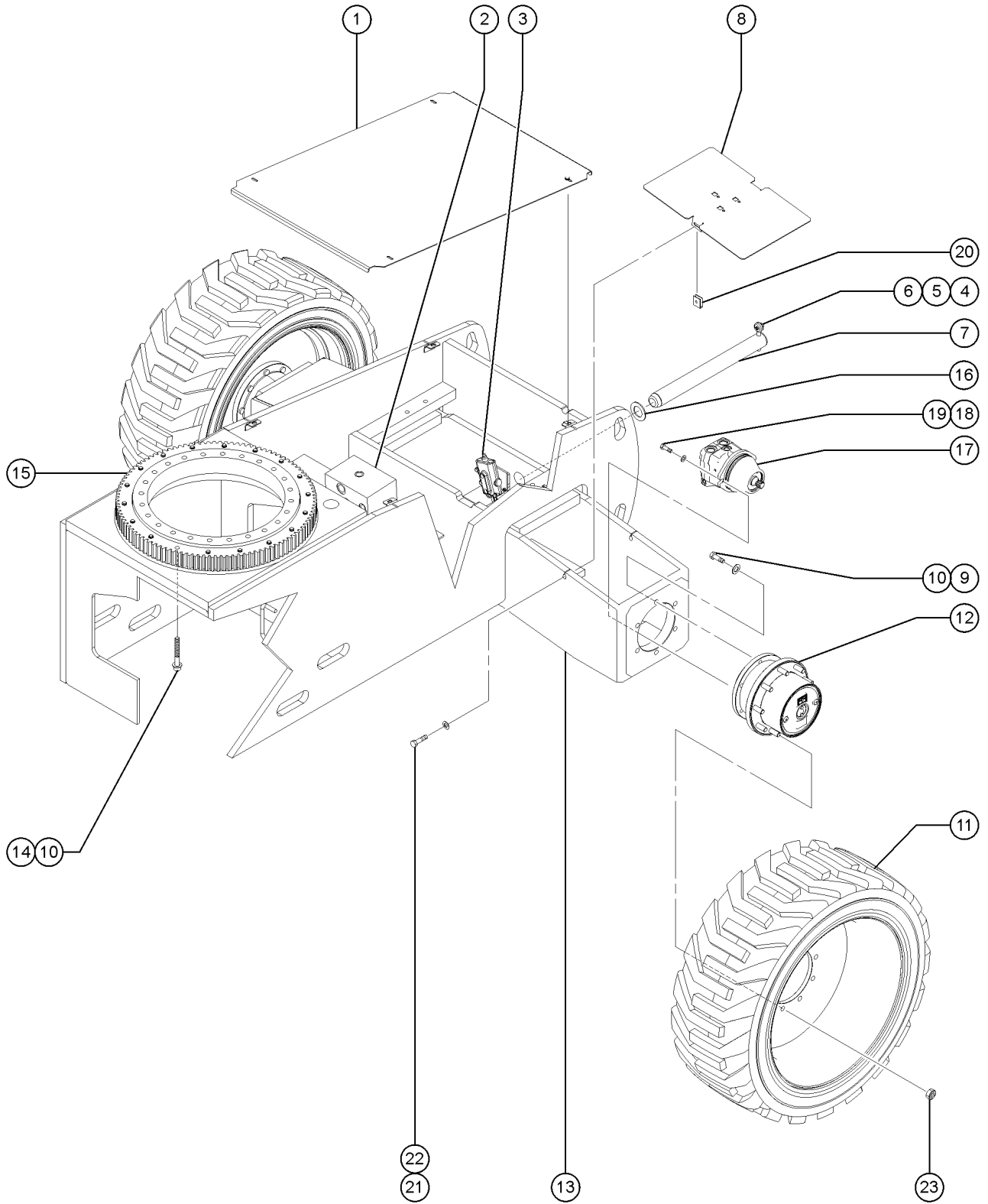
Item	Part No.	Description	Qty.	Item	Part No.	Description	Qty.
--	81164	TIRE,41/18LL X 22.5,14PR,TURF*		--	102167	SHAFT,INPUT DRIVE HUB (88887) <i>for 88886</i>	
--	94333	WHEEL,22.5X14.00***		--	102516	RING,RETAINING,INTERNAL <i>for 88886</i>	
10J	162226	TIRE & WHEEL ASSY,R35 FOAM,RH.....2 <i>RT, Foam-filled, oil based (S-60, S-65,S-60X,S-60XC,S-60HC)</i>	2	--	102684	PLUG,DRAIN,RR TRANS.DRIVE HUBS <i>for 88886</i>	
10J	162227	TIRE & WHEEL ASSY,R35 FOAM,LH.....2 <i>RT, Foam-filled, oil based (S-60, S-65,S-60X,S-60XC,S-60HC)</i>	2	--	215340	LOCKRING, RR <i>for 88886</i>	
11A	88884	MOTOR,PISTON,30CC,4WD***2 <i>4WD models</i>	2	--	215642	BRAKE KIT (88886)*** <i>for 88886</i>	
--	102155	BEARING,BALL DRIVE SHAFT <i>for 88884</i>		11C	229702	WHEEL DRIVE 57.5:1 4WD.....2 <i>TYPE: OMNI. 4WD models (from SN S6012-23572) Visually identify which hub before ordering parts. ID tag is on end cover cap. Hubs are not interchangeable, internal components are different for each type.</i>	2
--	102158	O-RING,.103 X 4.737,VITON, 75D <i>for 88884</i>		--	1260084	END CAP, WHEEL DRIVE <i>for 229702</i>	
--	102159	SHAFT,15 TOOTH <i>for 88884</i>		--	139965	WHEEL STUD,5/8-18,OMNI*** <i>for 229702</i>	
--	106098	SEAL KIT,MOTOR,LC/KC*** <i>for 88884</i>		--	139966	ROD,DISCONNECT,OMNI*** <i>for 229702</i>	
--	27067	SEAL,SHAFT-SUNDSTRAND*** <i>for 88884</i>		--	139967	CAP,DISENGAGE,OMNI*** <i>for 229702</i>	
--	72290	SNAP RING(M46 UNITS)* <i>for 88884</i>		--	139968	O-RING,END COVER,OMNI*** <i>for 229702</i>	
11B	88886	WHEEL DRIVE 56:1 4WD***2 <i>TYPE: RR. 4WD models (to SN S6012-23571) Visually identify which hub before ordering parts. ID tag is on end cover cap. Hubs are not interchangeable, internal components are different for each type.</i>	2	--	139969	LINING KIT,BRAKE,OMNI*** <i>for 229702</i>	
--	102126	SEAL KIT,DRIVE HUB (88887) <i>for 88886. Lip seal comes in seal kit, not available individually.</i>		--	139970	SEAL KIT,BRAKE,OMNI*** <i>for 229702</i>	
--	102131	DISCONNECT KIT (88887) <i>for 88886. Comes with disconnect rod, cover, and mounting screws.</i>		--	139971	BEARING KIT,OMNI*** <i>for 229702</i>	
--	102157	O-RING,.070 X .239,VITON 75D <i>for 88886</i>		--	139972	SEAL KIT,GEARBOX,OMNI*** <i>for 229702</i>	
--	102162	LUG,STUD/WHEEL (88887) <i>for 88886. Clipped style head.</i>		--	147033	O-RING,PIPE PLUG KIT,OMNI*** <i>for 229702</i>	
--	102163	RING,RETAINING*** <i>for 88886</i>		--	147034	PIPE PLUG KIT,OMNI*** <i>for 229702</i>	
--	102164	COVER,END,KIT (88887)*** <i>for 88886. Includes disconnect cover and o-ring. Drain plugs not included see PN 102684.</i>		11D	229817	WHEEL DRIVE 56:1.....1 <i>(Trax, from SN S6012-23891)</i>	1
--	102166	VALVE,CHECK,30 PSI <i>for 88886</i>		--	102131	DISCONNECT KIT (88887)	
				--	102162	LUG,STUD/WHEEL (88887)	
				--	102516	RING,RETAINING,INTERNAL	
				--	215340	LOCKRING, RR*** <i>replaced 102165</i>	



201.2 Steer End (from SN 26296)
(continued)

Item	Part No.	Description	Qty.
--	215642	BRAKE KIT (88886)*** <i>replaced 102168</i>	
--	229818	SEAL KIT, DRIVE HUB	
--	229931	SEAL,LIP	
12	73455	SCREW,HHC,5/8-11 X 2.25 GR8.....	12
13	13064	WASHER,FLAT,.625 HARDENED.....	12
14	45226	ROD END,.375 X 3.69	
15	8255	SCREW,HHC,3/8-16 X .75	
16	6021	WASHER,LOCK,.375	
17	110221	PIN,GROOVE/HOLE,1.50 DIA X 4.375.....	4
18	77880	PIN,1.50DIA X 9.38LG,1HOLE.....	2
19	5224	SCREW,HHC,3/8-16 X 2	
20	4828	NUT,NYLOCK,3/8-16	
21	77610	PIN,2.00DIA X 23.13LG,CHAMFER...1	
22	30418	ROD END,.50 X 4	
23	8177	SCREW,HHC,1/2-13 X 1.5	
24	6033	WASHER,LOCK,0.5"	
25	6326	SCREW,HHC,3/8-16 X 3	
26	6097	WASHER,FLAT,USS,3/8",Y	
27	45074	WASHER,THRUST,1.5 X 3.5 X .187.....	2
28	110578	CYLINDER,OSCILLATE,S60.....	2
--	101255	SEAL KIT (89675)	
--	33428	VALVE,COUNTERBALANCE	
29	94221	PIN,1.50DIA X 3.75LG,1HOLE.....	2
30	25284	ROD END,.375 X 2.25***	
31	6021	WASHER,LOCK,.375	
32	6175	SCREW,HHC,3/8-16 X 1	
33	106516	CLAMP,HOSE,2X4,1X6,2X8***.....	2
34	45071	BEARING,1.5IDX1.75ODX1.5L	
35	119146	AXLE ASSEMBLY,S60 FRONT..... <i>Includes item 34</i>	1
--	42014	BEARING,2.00IDX2.25ODX2.00L....	2
36	18383	SNAP RING,EXTERNAL,1.5 DIA***	
37	53386	GUARD, HOSE PROTECTOR.....	1
38	107616P	BRACKET,HOSE ROUTING,RH,PNTD.....	1
39	106517P	CLAMP TOP,HOSE ROUTING PAINTED.....	2

202.1 Non-steer End



202.1 Non-steer End

Item	Part No.	Description	Qty.	Item	Part No.	Description	Qty.
1	94508	COVER, W/DECALS, NONSTEER END*		--	102162	LUG,STUD/WHEEL (88887) <i>for 88887</i>	
2		Ref. Traction Manifold <i>(refer to 402.1 & 402.2)</i>		--	102163	RING,RETAINING*** <i>for 88887</i>	
3		Ref. Oscillate Valve <i>(refer to 203.1)</i>		--	102167	SHAFT,INPUT DRIVE HUB (88887) <i>for 88887</i>	
4	30418	ROD END,.50 X 4		--	102516	RING,RETAINING,INTERNAL <i>for 88887</i>	
5	6175	SCREW,HHC,3/8-16 X 1		--	215340	LOCKRING, RR <i>for 88887</i>	
6	6021	WASHER,LOCK,.375		--	215642	BRAKE KIT (88886)*** <i>for 88887</i>	
7	77950	PIN,2.00DIA X 20.88LG,CHAMFER		12C	1260084	END CAP, WHEEL DRIVE <i>for 229702</i>	
8	77623P	COVER,REAR AXLE		12C	229702	WHEEL DRIVE 57.5:1 4WD <i>TYPE: OMNI. 4WD Models (from SN S6012-23572) Visually identify which hub before ordering parts. ID tag is on end cover cap. Internal components are different for each type.</i>	
9	73455	SCREW,HHC,5/8-11 X 2.25 GR8		--	1260084	END CAP, WHEEL DRIVE <i>for 229702</i>	
10	13064	WASHER,FLAT,.625 HARDENED		--	139965	WHEEL STUD,5/8-18,OMNI*** <i>for 229702</i>	
11		REF. WHEEL AND TIRE ASSEMBLY <i>refer to 201.1</i>		--	139966	ROD,DISCONNECT,OMNI*** <i>for 229702</i>	
12A	88886	WHEEL DRIVE 56:1 4WD*** <i>TYPE: RR. 4WD Models (to SN S6012-23572) Visually identify which hub before ordering parts. ID tag is on end cover cap. Internal components are different for each type.</i>		--	139967	CAP,DISENGAGE,OMNI*** <i>for 229702</i>	
--	102126	SEAL KIT,DRIVE HUB (88887)*** <i>for 88886</i>		--	139968	O-RING,END COVER,OMNI*** <i>for 229702</i>	
--	102131	DISCONNECT KIT (88887) <i>for 88886</i>		--	139969	LINING KIT,BRAKE,OMNI*** <i>for 229702</i>	
--	102162	LUG,STUD/WHEEL (88887) <i>for 88886</i>		--	139970	SEAL KIT,BRAKE,OMNI*** <i>for 229702</i>	
--	102163	RING,RETAINING*** <i>for 88886</i>		--	139971	BEARING KIT,OMNI*** <i>for 229702</i>	
--	102164	COVER,END,KIT (88887)*** <i>for 88886</i>		--	139972	SEAL KIT,GEARBOX,OMNI*** <i>for 229702</i>	
--	102167	SHAFT,INPUT DRIVE HUB (88887) <i>for 88886</i>		--	147033	O-RING,PIPE PLUG KIT,OMNI*** <i>for 229702</i>	
--	102516	RING,RETAINING,INTERNAL <i>for 88886</i>		--	147034	PIPE PLUG KIT,OMNI*** <i>for 229702</i>	
--	215340	LOCKRING, RR <i>for 88886</i>		12D	229817	WHEEL DRIVE 56:1.....2 <i>(trax, from SN S6012-23891)</i>	
--	215642	BRAKE KIT (88886)*** <i>for 88886</i>		--	102131	DISCONNECT KIT (88887) <i>(trax, from SN S6012-23891)</i>	
12B	88887	WHEEL DRIVE 56:1 2WD*** <i>2WD models; not shown</i>					
--	102126	SEAL KIT,DRIVE HUB (88887).....1 <i>replaced 58484</i>					
--	102131	DISCONNECT KIT (88887) <i>for 88887</i>					



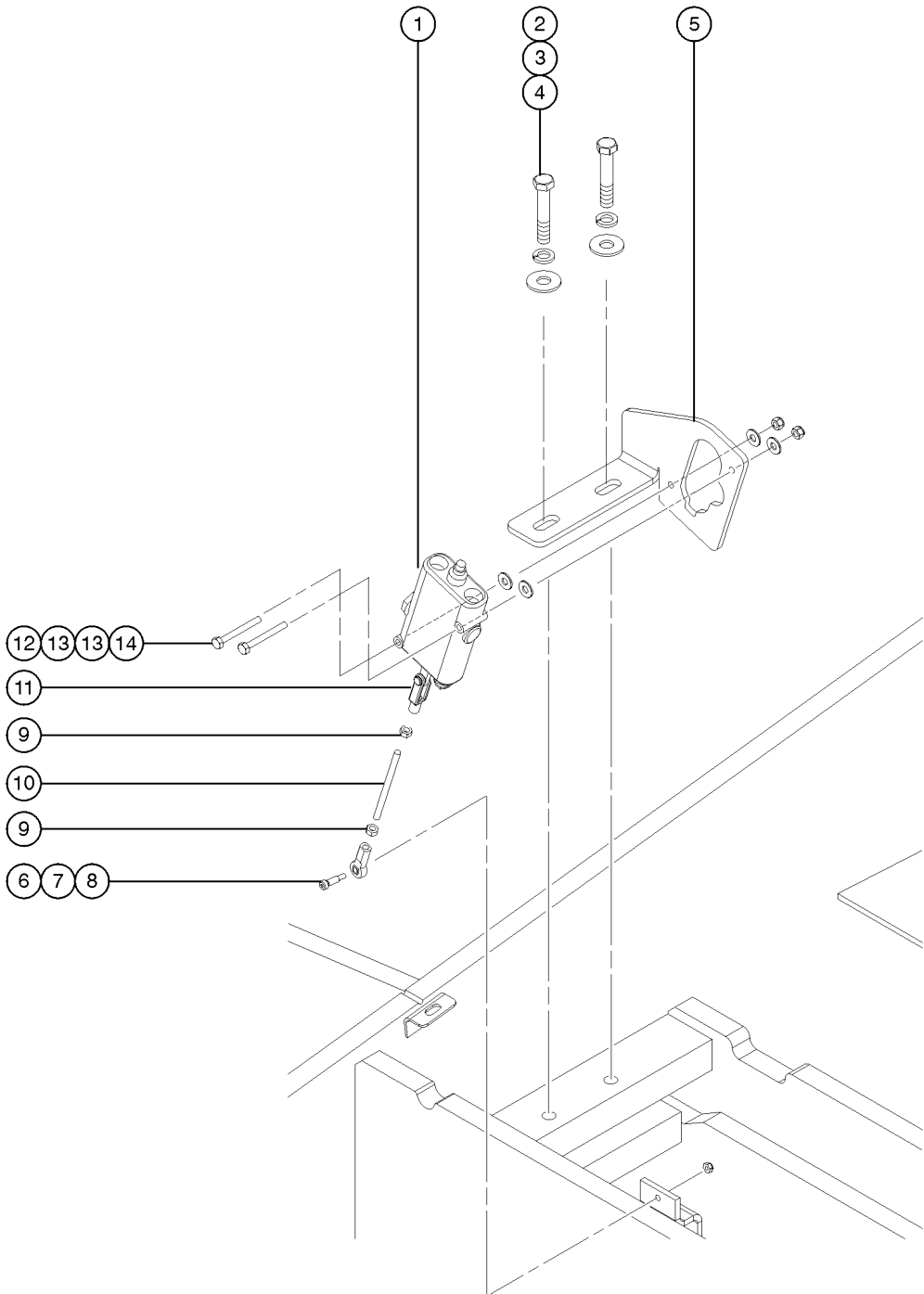
202.1 Non-steer End
(continued)

Item	Part No.	Description	Qty.	Item	Part No.	Description	Qty.
--	102157	O-RING,.070 X .239,VITON 75D <i>(trax, from SN S6012-23891)</i>		--	27067	SEAL,SHAFT-SUNDSTRAND***	
--	102158	O-RING,.103 X 4.737,VITON, 75D <i>(trax, from SN S6012-23891)</i>		--	72290	SNAP RING(M46 UNITS)*	
--	102162	LUG,STUD/WHEEL (88887) <i>(trax, from SN S6012-23891)</i>		17B	88885	MOTOR,PISTON,35CC,2WD***2 <i>2WD models, not shown</i>	
--	102166	VALVE,CHECK,30 PSI <i>(trax, from SN S6012-23891)</i>		--	102155	BEARING,BALL DRIVE SHAFT <i>for 88885</i>	
--	102167	SHAFT,INPUT DRIVE HUB <i>(trax, from SN S6012-23891)</i>		--	102158	O-RING,.103 X 4.737,VITON, 75D <i>for 88885</i>	
--	102516	RING,RETAINING,INTERNAL <i>(trax, from SN S6012-23891)</i>		--	102159	SHAFT,15 TOOTH <i>for 88885</i>	
--	106098	SEAL KIT,MOTOR,LC/KC*** <i>(trax, from SN S6012-23891)</i>		--	106098	SEAL KIT,MOTOR,LC/KC*** <i>for 88885</i>	
--	215340	LOCKRING, RR*** <i>(trax, from SN S6012-23891); replaced 102165</i>		--	106117	O-RING,2-010,VITON <i>for 88885</i>	
--	215642	BRAKE KIT (88886)*** <i>(trax, from SN S6012-23891); replaced 102168</i>		--	27067	SEAL,SHAFT-SUNDSTRAND*** <i>for 88885</i>	
--	229818	SEAL KIT, DRIVE HUB <i>(trax, from SN S6012-23891)</i>		--	72290	SNAP RING(M46 UNITS)* <i>for 88885</i>	
--	229931	SEAL,LIP <i>(trax, from SN S6012-23891)</i>		18	88296	SCREW,HHC,7/16-14 X 1.25.....4	
--	27067	SEAL,SHAFT-SUNDSTRAND*** <i>(trax, from SN S6012-23891)</i>		19	119988	WASHER,.469 X .781,HRD.....4	
--	77674	NUT,HEX,FLANGE 5/8-18,GRD 8 ZI <i>(trax, from SN S6012-23891)</i>		20	56912	SPRING CLIP,1/4-20,.025-.15X.5	
--	88884	MOTOR,PISTON,30CC,4WD*** <i>(trax, from SN S6012-23891)</i>		21	6090	SCREW,HHC,1/4-20 X .75	
13	94746	NON-STEER AXLE ASSEMBLY**1 <i>for 88885</i>		22	6638	WASHER,FLAT,USS,1/4"Y	
--	42014	BEARING,2.00IDX2.25ODX2.00L <i>for 88885</i>		23	77674	NUT,HEX,FLANGE 5/8-18,GRD 8 ZI.....18	
14	139865	SCREW,HHC,5/8-11 X 4.00 GR8 BO.....18 <i>for 88885</i>					
15	63468	BEARING,TURNTABLE ROTATION <i>for 88885</i>					
16	18730	WASHER,FLAT,2.01 X 3.5 X .06					
17A	88884	MOTOR,PISTON,30CC,4WD***					
--	102155	BEARING,BALL DRIVE SHAFT					
--	102158	O-RING,.103 X 4.737,VITON, 75D <i>for 88884</i>					
--	102159	SHAFT,15 TOOTH					
--	106098	SEAL KIT,MOTOR,LC/KC*** <i>for 88884</i>					



This Page Intentionally Left Blank

203.1 Oscillate Valve

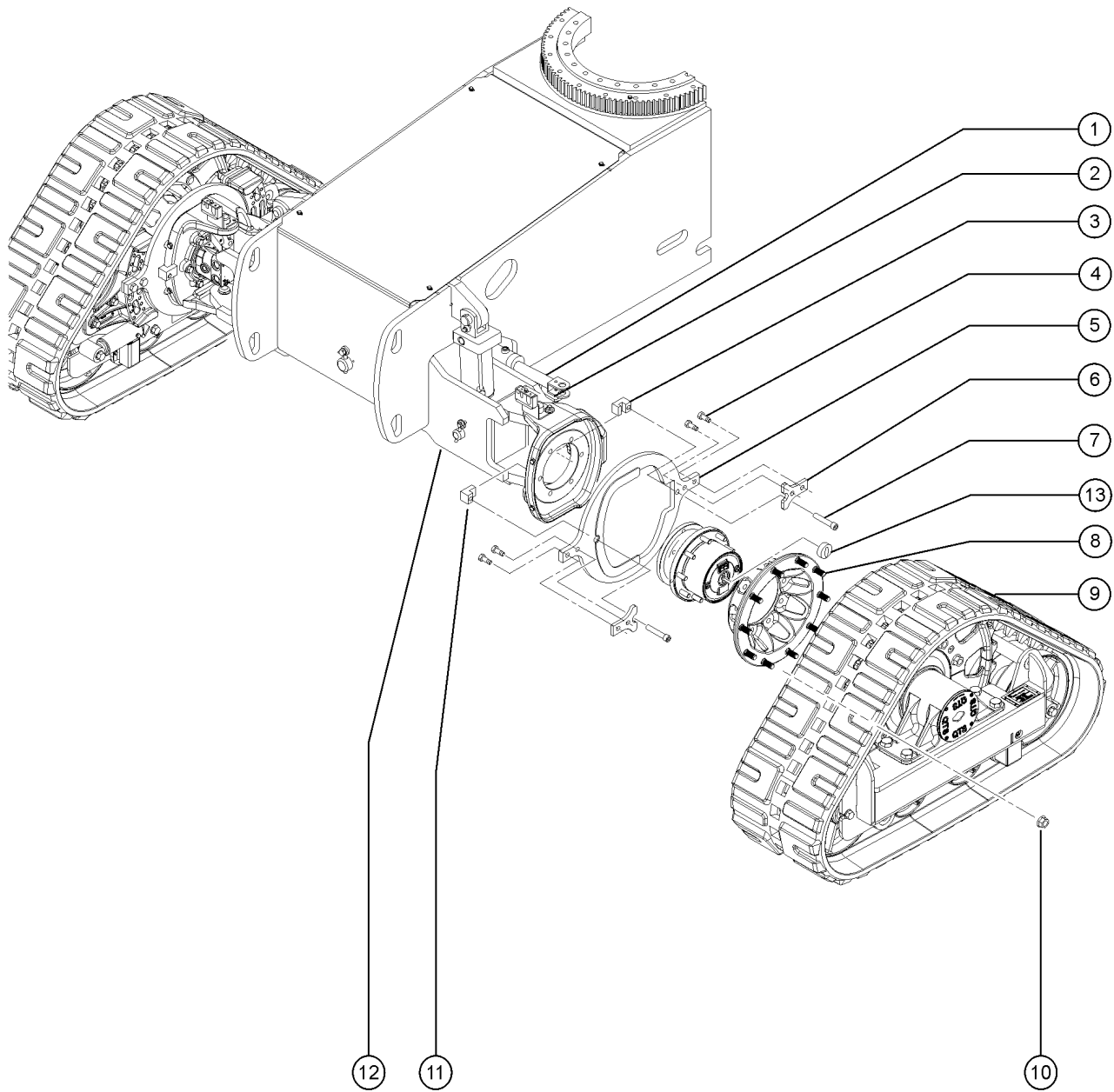


203.1 Oscillate Valve

Item	Part No.	Description	Qty.
1	81552	VALVE,MANUAL,W/RELIEF VALVE***	1
--	32681	SEAL KIT,CONTROL VALVE	
2	39479	SCREW,HHC,1/2-13 X 2.75.....	2
3	6033	WASHER,LOCK,0.5".....	2
4	6095	WASHER,FLAT,USS,1/2",Y.....	2
5	139578	BRACKET, OSCILLATE VALVE.....	1
6	6584	SCREW,SHS,10-24 X .625.....	1
7	81691	ROD END,BALL JOINT 1/4-28.....	1
8	5365	NUT,NYLOCK,10-24.....	1
9	21496	NUT,HEX,1/4-28.....	2
10	30785-400	THREADED ROD,1/4-28 X 4 IN***	1
11	21130	CLEVIS YOKE-1/4-28,PLTD W/PIN.....	1
12	8179	SCREW,HHC,1/4-20 X 2.25.....	2
13	6638	WASHER,FLAT,USS,1/4"Y.....	4
14	6091	NUT,NYLOCK,1/4-20.....	2



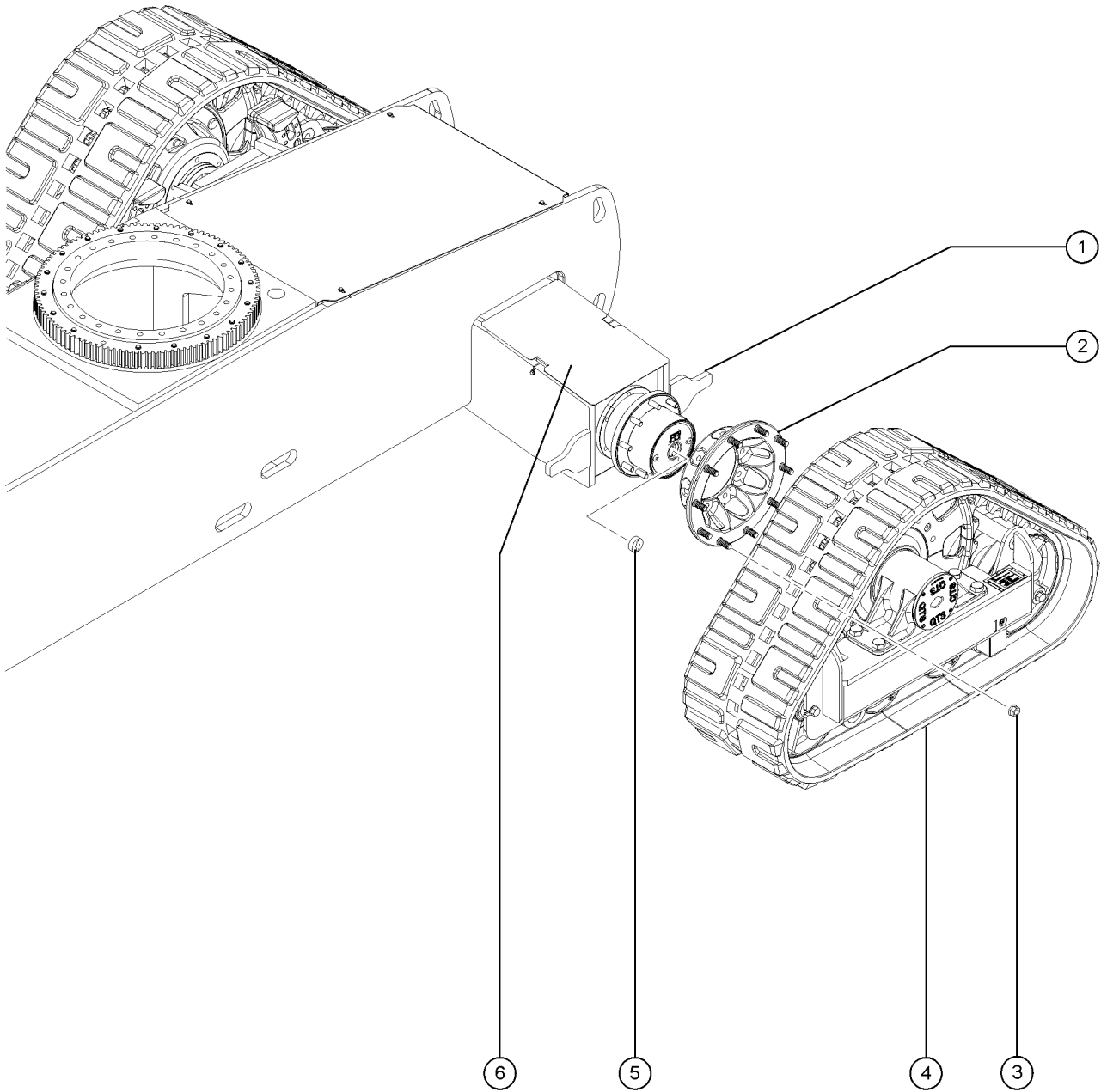
204.1 TraX Option Steer End



204.1 TraX Option Steer End

Item	Part No.	Description	Qty.
A	T108700	KIT, SKID PLATE, S60 TRAX	
1	125865	CYLINDER, STEER.....	1
--	89294	SEAL KIT CYLINDER (59460)	
2	125864	WELDMENT, TIE ROD.....	1
3	139122	MACH. MOUNTING BLOCK.....	1
4	94439	SCREW,HHC,3/4-10 X 1.5.....	4
5	139000	ROTATIONAL LIMITER FRONT RIGHT.....	1
		<i>includes items 1,2,4,5 and 9</i>	
--	139001	ROTATIONAL LIMITER FRONT LEFT.....	1
		<i>includes items 1,2,4,5 and 9</i>	
6	139121	PLATE, HAMMER SHIM 1/2.....	2
7	106669	SCREW,HHC,5/8-11 X 1.5 GRD.8...2	
8	139002	SPACER.....	2
--	139140	STUD, 3/4-16 UNF X 2-1/2 LG <i>for 139002</i>	
9A	139120	ASSEMBLY, TRAX UNIT, RIGHT.....1 <i>refer to section 206.1 for TRAX System service components</i>	
9B	147149	ASSEMBLY, TRAX UNIT, LEFT.....1 <i>refer to section 206.1 for TRAX System service components</i>	
10	139135	NUT, FLANGE, 3/4-16 UNF GR8...10	
11	139125	MACH. MOUNTING BLOCK.....	1
12	139224	STEER AXLE ASSEMBLY.....	1
--	45071	BEARING,1.5IDX1.75ODX1.5L	
13	139179	SEAL,TRAX HUBS.....	1

205.1 TraX Option Non-Steer End

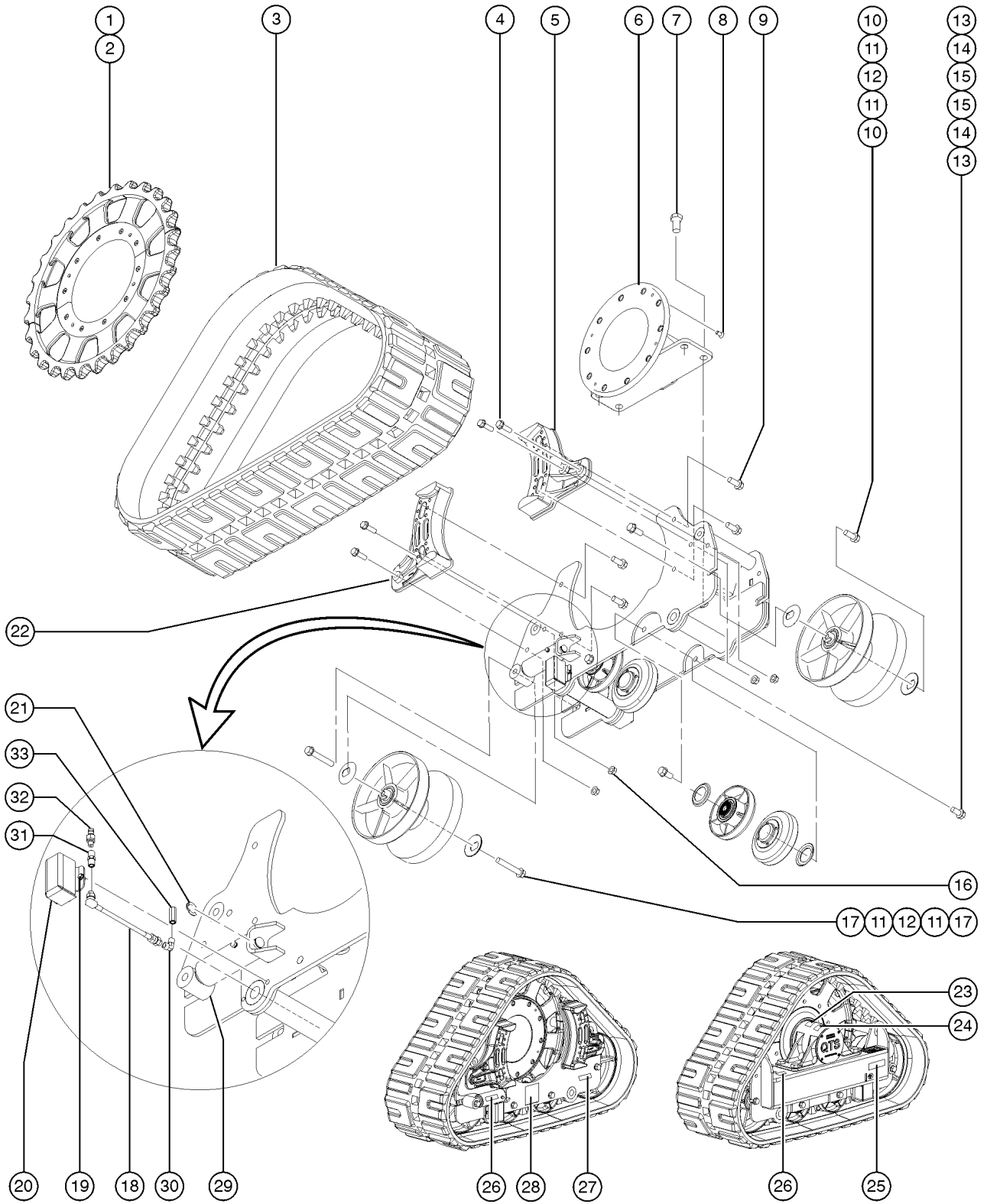


205.1 TraX Option Non-Steer End

Item	Part No.	Description	Qty.
--		Ref., SKID PLATE KIT <i>S-60 and S-65 models; refer to 204.1</i>	
1	139175	NON-STEER AXLE ASSEMBLY.....2	
--	42014	BEARING,2.00IDX2.25ODX2.00L	
2	139002	SPACER.....2	
--	139140	STUD, 3/4-16 UNF X 2-1/2 LG <i>for 139002</i>	
3	139135	NUT, FLANGE, 3/4-16 UNF GR8...10	
4A		Ref., TRAX UNIT, RIGHT.....1 <i>refer to section 204.1</i>	
4B		Ref., TRAX UNIT, LEFT.....1 <i>refer to section 204.1</i>	
5	139179	SEAL,TRAX HUBS.....2	
6	125866	COVER, REAR AXLE.....2	



206.1 TraX Option Components

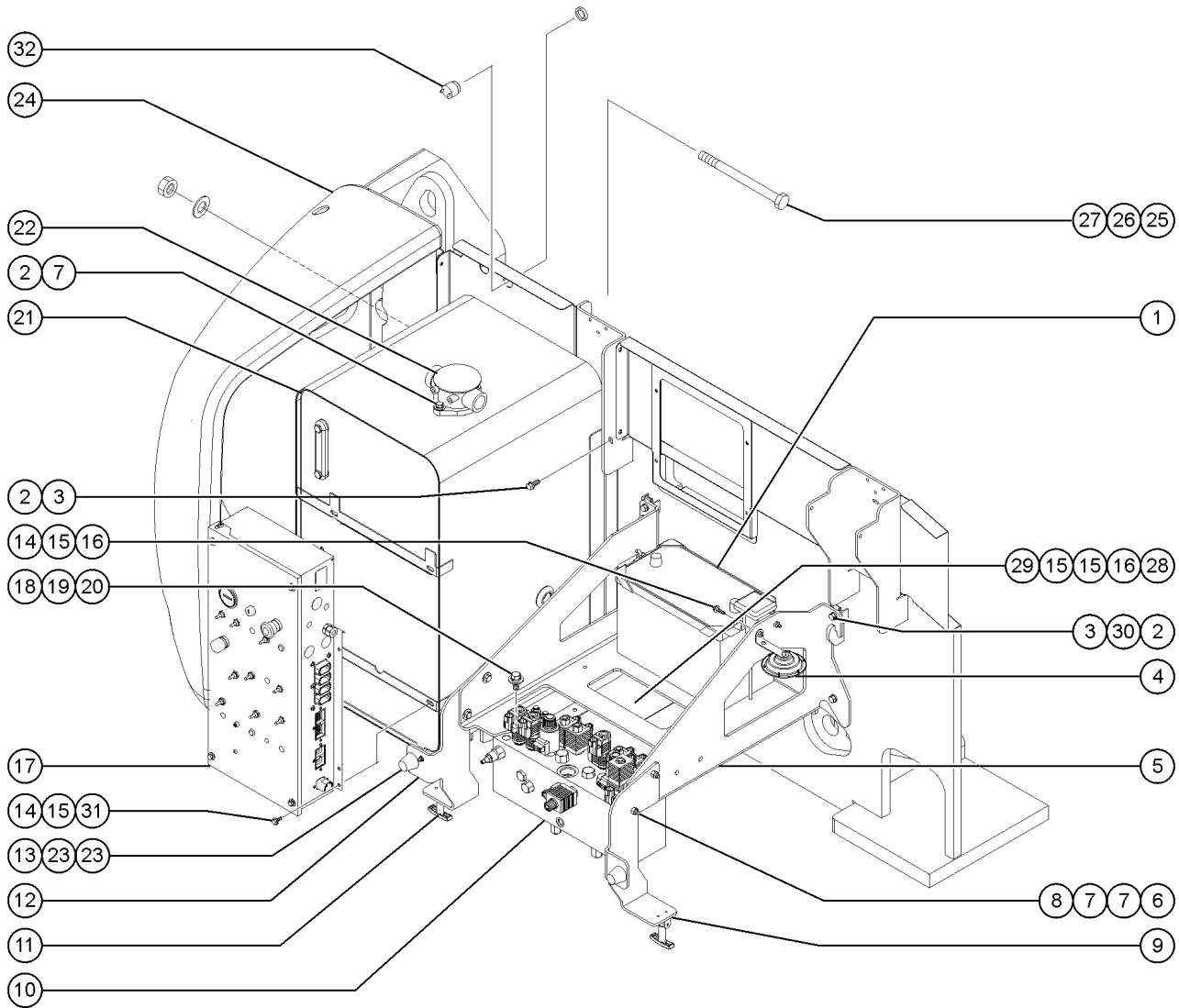


206.1 TraX Option Components

Item	Part No.	Description	Qty.	Item	Part No.	Description	Qty.
A	139262	KIT,TRAX,9-BOLT,S60 W/RR HUBS		20B	1261394	ASSEMBLY, INSIDE HOSE GUARD	
--	139179	SEAL,TRAX HUBS		21	128919	SNAP RING.....2	
B	217979	KIT,TRAX,9-BOLT,S60 W/OMNI HUB		22	128924	CAST, LIMITER STOP BRKT L.....1	
--	139179	SEAL,TRAX HUBS		23	226940	DECAL,LABEL,TORQUE.....1 SUPPLIER P/N 401889	
C	139000	ROTATIONAL LIMITER FRONT RIGHT		24	226944	DECAL,WARN,AVOID INJURY.....1 SUPPLIER P/N 402046	
D	139001	ROTATIONAL LIMITER FRONT LEFT		25	226946	DECAL,WARN,HIGH PRESS.....1 SUPPLIER P/N 402048	
E	147155	ROTATIONAL LIMITER REAR		26	226943	DECAL,CAUTION,READ INST.....1 SUPPLIER P/N 402045	
1	128922	SPROCKET, MACH. HALF RIGHT.....1		27	226945	DECAL,WARN,CRUSH HAZ.....1 SUPPLIER P/N 402047	
2	128923	SPROCKET, MACH. HALF LEFT.....1		28A	226941	DECAL,LABEL,ASSY INSTALL,R....1 SUPPLIER P/N 401904	
3	128926	TRACK, RUBBER.....1		28B	226942	DECAL,LABEL,ASSY INSTALL,I SUPPLIER P/N 401905	
4	111155	SCREW,FLANGE,HHC,5/8-11X2,GR8.4		29	215423	TENSIONER, TRAX	
5	128925	CAST, LIMITER STOP BRKT R.....1		30	1261392	ELBOW,90,1/4-18NPT,FEMALE	
6	128928	HUB.....1		31	1261390	COUPLING - 1/4 NPT	
7	128913	BOLT,HHC,1-14X2.0"GR8 PLT.....4		32	1261389	NIPPLE,STEEL PIPE,1/4NPTX1 LG	
8	128914	SCREW, FHSC, 1/2-13X1.00.....4		33	1261391	NIPPLE,STEEL PIPE,1/4NPTX2.5LG	
9	128912	BOLT,FLANGE,5/8-11X1.5"GR8 PLT.....4					
10	128910	BOLT,FLANGE,3/4-10X1.75GR8 PLT.....2					
11	128920	COVER, DUST.....4					
12	128917	END BOGEY.....2					
13	128909	BOLT,FLANGE,3/4-10X1.5"GR8 PLT.....4					
14	128921	GUARD, SEAL.....4					
15A	128918	SPLIT BOGEY.....4					
--	215424	BEARING, SPL BOGEY (128918) <i>for 128918</i>					
--	215425	SEAL, BEARING (128918) <i>for 215424</i>					
--	215426	SHAFT, RAISED BOSS (128918) <i>internal shaft with raised boss on end</i>					
--	215427	SHAFT, KNURLED (128918) <i>internal shaft with knurled end</i>					
16	128916	LOCKNUT,FLANGE,5/8-11,GR8.....4					
17	128911	BOLT,FLANGE,3/4-10X4.5"GR8 PLT.....2					
18	128927	HYD. HOSE ASSEMBLY 3000 PSI.....1					
19	128955	BOLT,FLANGE,5/16-18X.50 GR5.....4					
20A	1261393	ASSEMBLY, OUTSIDE HOSE GUARD <i>shown for reference only</i>					



301.1 Tank Side - View 1

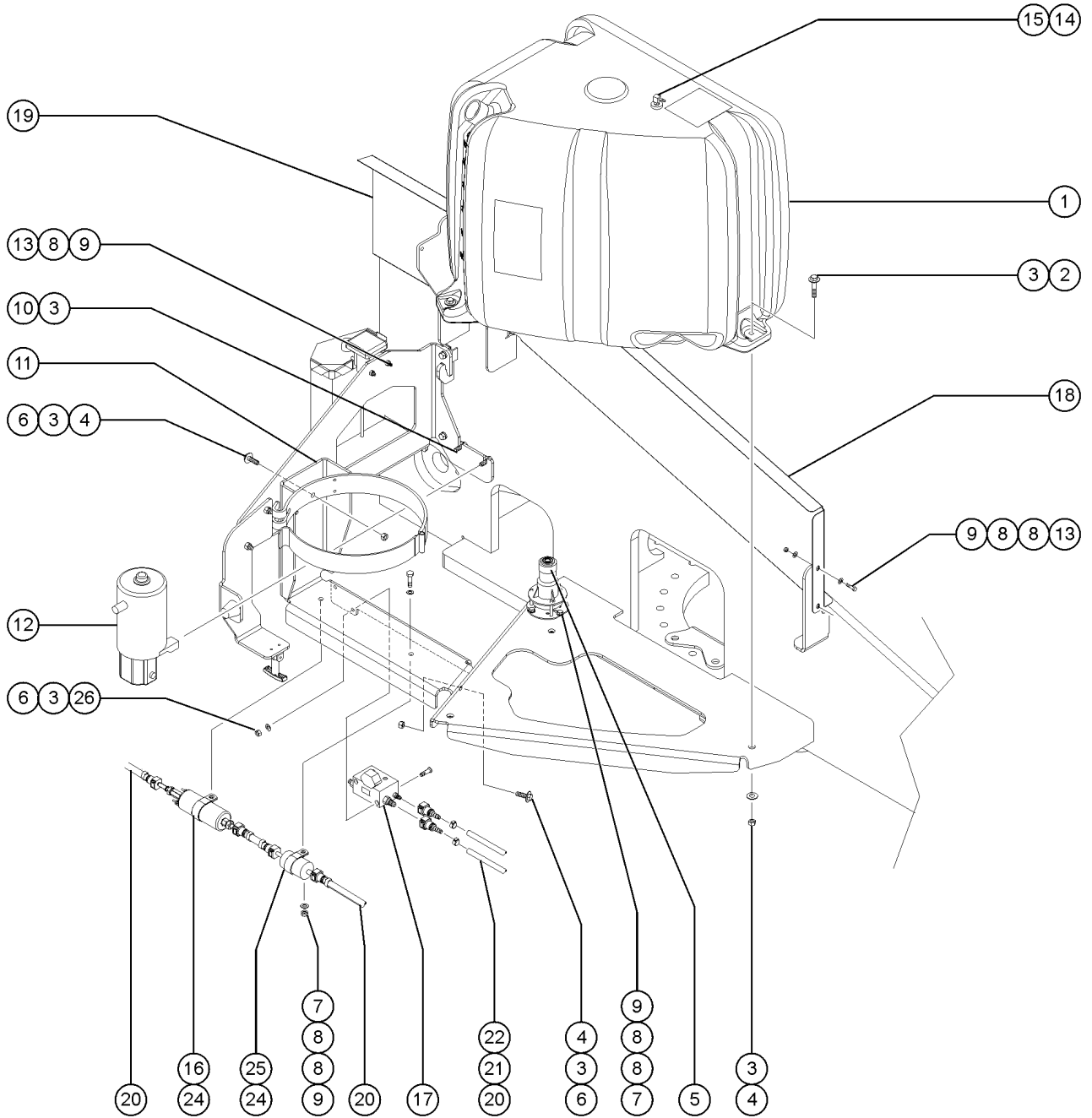


301.1 Tank Side - View 1

Item	Part No.	Description	Qty.	Item	Part No.	Description	Qty.
1	30143	BATTERY,12V,1000 CCA GRP 31.....	1	--	77354	FILTER LID,RFM165	
--	30144	BATTERY HOLD DOWN,GROUP 31		--	77365	BREATHER CAP,RFM165	
--	45708	HOOK,BATT HOLD DOWN,10"		--	88917	FILTER,ELEMENT,BETA(10)=200	
--	8170	NUT,WING,1/4-20		--	94526	GASKET,RETURN FILTER-77353	
1A	237068	SEPARATOR,DUAL BATTERY,100A..... <i>for dual-battery option</i>	1	23	18503	NUT,LOCKING-LG.FLANGE,5/16-18.4	
2	6175	SCREW,HHC,3/8-16 X 1		24A	88888	COUNTERWEIGHT,S60 4350LBS..... <i>S-60X, S-60, and S-60TraX</i>	1
3	29868	SPRING CLIP,3/8-16		24B	88889	COUNTERWEIGHT,S60/65 5500LBS**..... <i>S-60X, S-60 and-S60 TraX with 750 lb capacity; S-60XC, S-60HC, S-65 & S-65TraX</i>	1
4	81578	HORN,12VDC,SPADE TERMINALS***.....	1	25	73928	SCREW,HHC,1-8 X 11,GRD 5***.....	1
5	T108403	WELDMENT,BAT/MANIF TRAY,S60/65.....	1	26	38859	WASHER,FLAT,USS,1",Y	
6	4828	NUT,NYLOCK,3/8-16		27	29764	NUT,NYLOCK,1-8	
7	6097	WASHER,FLAT,USS,3/8",Y		28	T107829	FORMING,HARNESS SUPPORT,S60/65.....	1
8	6019	SCREW,HHC,3/8-16 X 1.25 GRD 5		29	6888	SCREW,HHC,1/4-20 X 1	
9	77646P	FORMING,COVER STOP,PAINTED.....	1	30	5397	WASHER,FLAT,USS,5/16",Y	
10		Ref. Function Manifold (refer to 401.1)		31	56912	SPRING CLIP,1/4-20,.025-.15X.5	
11	45363	LATCH,FLEXIBLE.....	4	32	230392	ALARM,DESCENT..... <i>72326 nut not included, order separately</i>	1
--	54322	SCREW,10-32 X.625,SF.TAP.PHIL		32	72326	NUT - PLASTIC,RING FOR ALARMS.....	1
--	6146	WASHER,FLAT,MS,#10,Y					
--	6178	NUT,NYLOCK,10-32					
12	77645P	FORMING,COVER STOP,PAINTED.....	1				
13	30973	BUMPER,RUBBER-1 X 1.25.....	2				
14	6090	SCREW,HHC,1/4-20 X .75					
15	6638	WASHER,FLAT,USS,1/4"Y					
16	6091	NUT,NYLOCK,1/4-20					
17		Ref. Ground Controls (refer to 305.1 or 306.1)					
18	10597	SCREW,HHC,1/2-13 X 1.25 GR5					
19	6033	WASHER,LOCK,0.5"					
20	6095	WASHER,FLAT,USS,1/2",Y					
21	T108331	HYDRAULIC TANK ASSEMBLY..... <i>includes item 22 with fasteners</i>	1				
--	21141	GAUGE-SIGHT,LHA-LGTB***					
22	110345	FILTER ASSY,INTANK.....	1				
--	147223	SEAL,FILTER LID					
--	77353	KIT,ELEMENT** <i>includes element, breather and gasket</i>					



302.1 Tank Side - View 2



302.1 Tank Side - View 2

Item	Part No.	Description	Qty.	Item	Part No.	Description	Qty.
1A	101726	CAP,FUEL,DIESEL,1/8"VENT(GRN),1 <i>Diesel models</i>		7	8915	SCREW,HHC,1/4-20 X 1.25	
1A	22348	ELBOW,130339-6-6 <i>for 88684 (bottom of tank)</i>		8	6638	WASHER,FLAT,USS,1/4"Y	
1A	54124	HOSE END,BARB,3/8 MNPT X 5/16 <i>for 88684 (bottom of tank)</i>		9	6091	NUT,NYLOCK,1/4-20	
1A	88684	TANK,FUEL 35 GAL PLASTIC,S60.....1 <i>Diesel models</i>	1	10	6175	SCREW,HHC,3/8-16 X 1	
1B	111818	FITTING,1/4 NPT X SAE J2044 <i>for T109267 (bottom of tank)</i>		11	77679	WELDMENT,LP MOUNT.....1	1
1B	119918	CAP,FUEL,GASOLINE 3.5PSI <i>Gasoline/LPG models</i>		12	89617	POWER UNIT,AUX PUMP 12VDC.....1	1
1B	128081	ELBOW,90D,1/4FPTX3/8MPT <i>for T109267 (bottom of tank)</i>		--	147289	SEAL KIT, APU	
1B	146413	GAUGE, FUEL LEVEL, 20/30 GAL <i>Gasoline/LPG models</i>		--	147290	SHAFT SEAL, APU	
1B	146417	ASSY, FUEL PICKUP TUBE <i>Gasoline/LPG models</i>		--	58489	PUMP ASSY,AUX.POWER UNIT 89617	
1B	146551	GASKET, FUEL LEVEL SENDER, Z80 <i>Gasoline/LPG models</i>		--	77069	MOTOR,12VDC,77066	
1B	146552	PLATE, COVER, FUEL LEVEL SNDR <i>Gasoline/LPG models</i>		--	77071	SOLENOID,77066	
1B	T109267	TANK ASSY, GAS, 30 GAL., SERV.....1 <i>Gasoline/LPG models (steel, from SN 21159))</i>	1	13	6888	SCREW,HHC,1/4-20 X 1	
1C	119841	TANK ASSY,GAS,30 GAL,PLASTIC <i>Gasoline/LPG models (to SN 21158)</i>		14	61234	FUEL RETURN,DAPCO 18.75 <i>Diesel models</i>	
1D	27089	HOSE,5/16 FUEL,SAE 30R7.....114-inches <i>Deutz models</i>		14	70387	FUEL RETURN,DAPCO 3/8" <i>Gasoline/LPG models</i>	
1E	27089	HOSE,5/16 FUEL,SAE 30R7.....64-inches <i>Perkins models (tank to handpump)</i>		14A	30490	HOSE,1/4 FUEL LINE,SAE 30R7.....126-inches <i>fuel return (diesel models)</i>	
2	5224	SCREW,HHC,3/8-16 X 2		15	61240	BUSHING,FUEL TANK FITTING (SM).....1	1
3	6097	WASHER,FLAT,USS,3/8",Y		16	77219	PUMP, FUEL, LRG425, WALBRO....1 <i>Gasoline/LPG models</i>	1
4	4828	NUT,NYLOCK,3/8-16		17	119170	FUEL SENSOR ASSY.....1	1
5A	94077	SENSOR,LEVEL,4.5 DEG.....1 <i>S-65, S-60XC, S-60X, S-60, S-60 TraX and S-65 TraX; ANSI models</i>	1	18	77681	FORMING,BULKHEAD,LEFT REAR.....1	1
5B	110382	LEVEL SENSOR,LS60,YL,2.5X4.5 <i>S-65,S-60 HC, S-60, S-60 TraX and S-65 TraX; European models</i>		19	77680	FORMING,BULKHEAD,LEFT FRONT.....1	1
6	6019	SCREW,HHC,3/8-16 X 1.25 GRD 5		20A	229201	HOSE,FUEL,5/16HIGH PRES 127 IN <i>Gasoline/LPG models</i>	
				20B	229202	HOSE,FUEL,5/16 HIGH PRES 35 IN <i>Gasoline/LPG models</i>	
				20C	229203	HOSE,FUEL,5/16 HIGH PRES 3 IN <i>Gasoline/LPG models</i>	
				20D	229204	HOSE,FUEL,5/16HIGH PRS 43.5 IN <i>Gasoline/LPG models to SN 23408</i>	
				20E	236911	HOSE,FUEL,5/16HIGH PRS 40 IN <i>Gasoline/LPG models from SN 23409</i>	
				20F	229205	HOSE,FUEL,5/16HIGH PRS 53.5 IN <i>Gasoline/LPG models to SN 23408</i>	
				20G	236912	HOSE,FUEL,5/16HIGH PRS 60 IN <i>Gasoline/LPG models from SN 23409</i>	

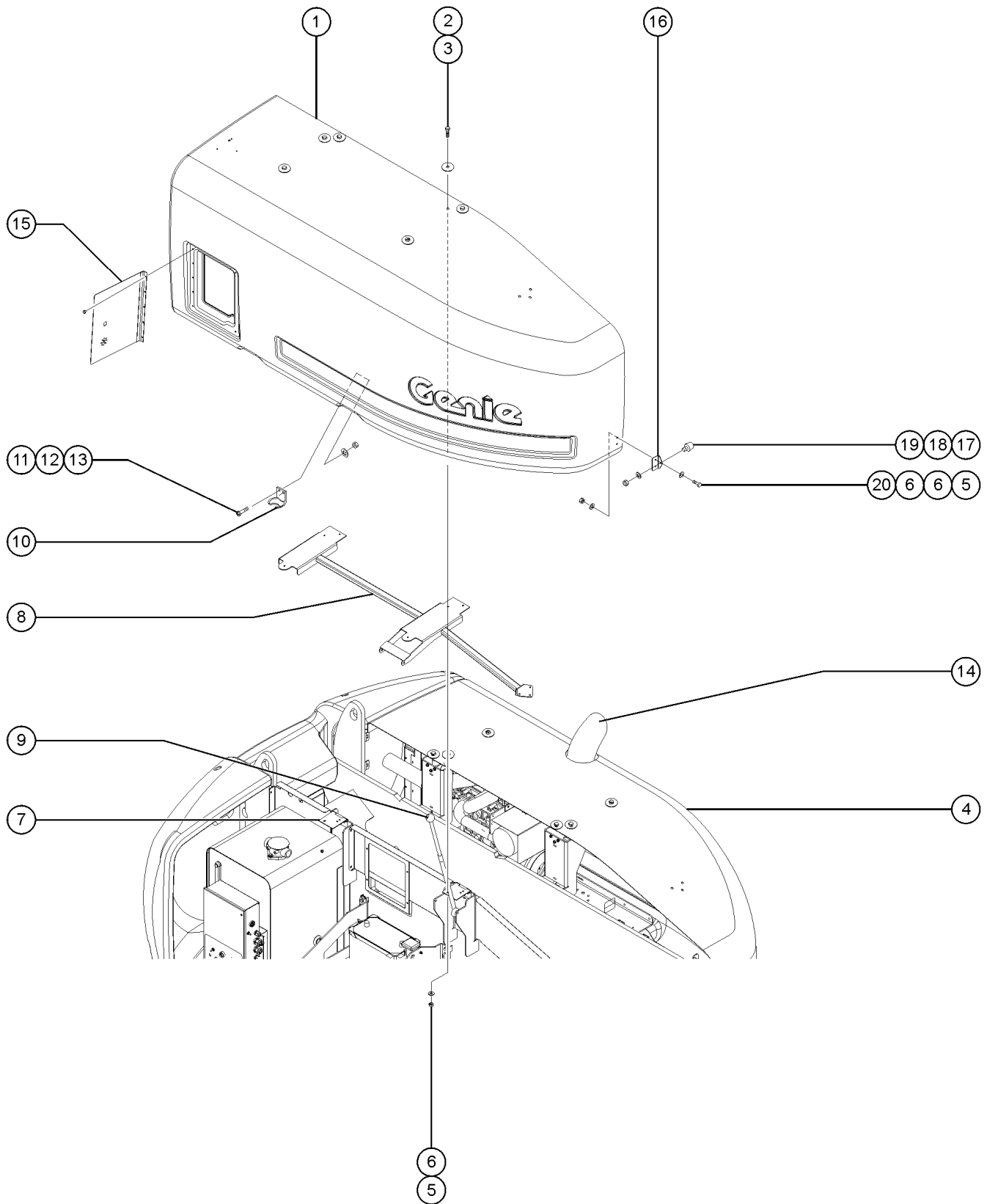


302.1 Tank Side - View 2
(continued)

Item	Part No.	Description	Qty.
21	65887	CLAMP,HOSE,1 EAR,1/2	
22	111819	FITTING,SAE J2044F X5/16 BARB	
23	6090	SCREW,HHC,1/4-20 X .75	
24	27497	CLAMP,RUBBER CUSHIONED-2 5/32	
25	119984	FILTER,FUEL <i>Gasoline/LPG models</i>	
26	4266	SCREW,HHC,1/4-20 X 2	

This Page Intentionally Left Blank

303.1 Turntable Covers

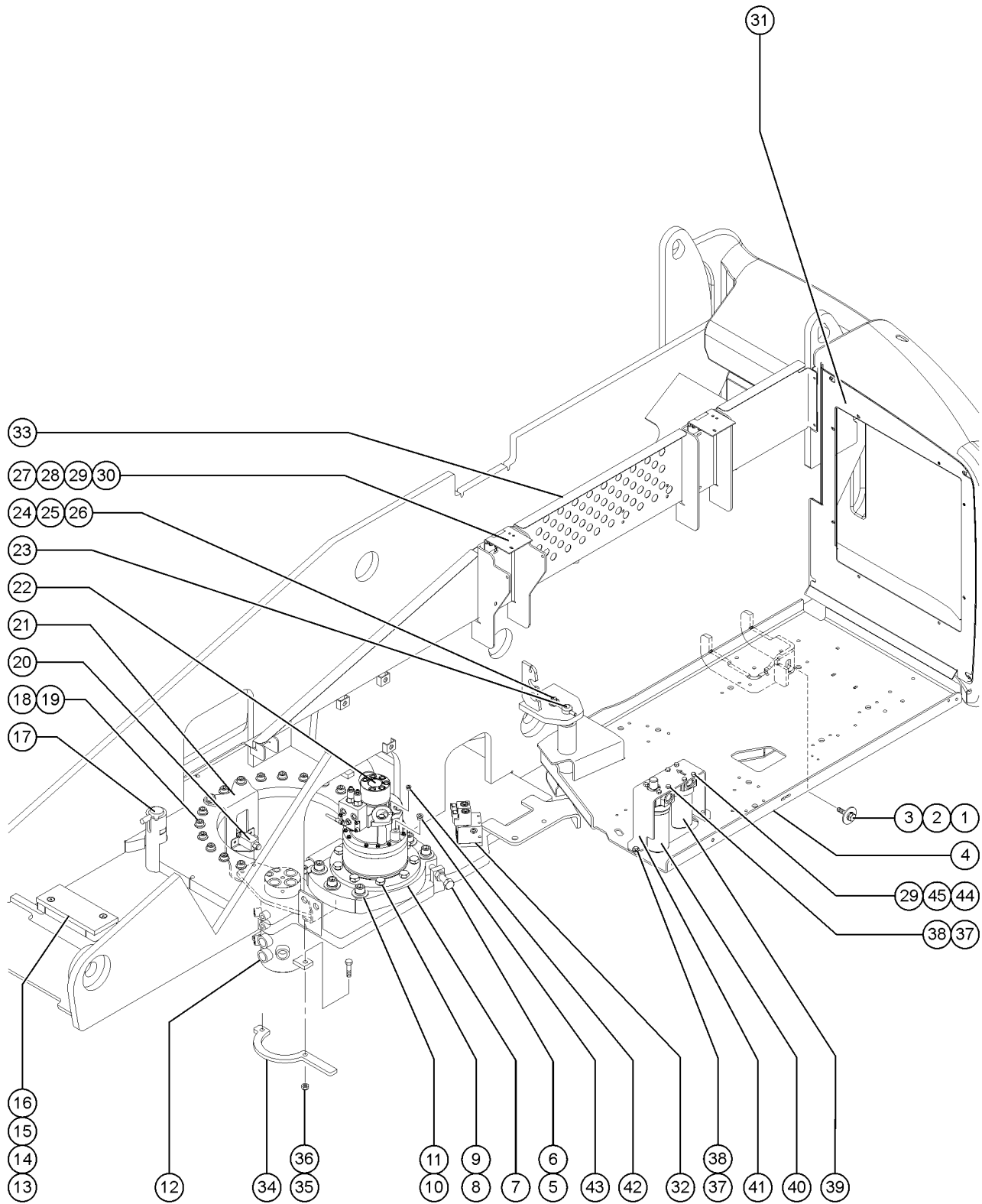


303.1 Turntable Covers

Item	Part No.	Description	Qty.	Item	Part No.	Description	Qty.
1	T108332	COVER ASSY.W/WORD DECALS LH.....1 S-60X, Diesel models (N. America)	1	--	T108345	COVER ASSY W/ SYMBOL DECALS LH S-65 (S. America/Asia), S-65 TraX (S.America/Asia) S-60 HC (Europe), S-60 & S-65 TraX (Europe), Diesel models	1
1	T108342	COVER ASSY.W/WORD DECALS LH.....1 S-65 (N. America), S-60 & S-65 (Australia), Gasoline/LPG	1	2	6888	SCREW,HHC,1/4-20 X 1	
--	T108333	COVER ASSY.W/SYMBOL DECALS LH S-60X, Diesel models (S. America/Asia)		3	12906	WASHER,FENDER,.25 X 1.25 X.062	
--	T108334	COVER ASSY.W/WORD DECALS LH S-60X, Gasoline/LPG (N. America)		4	139902	COVER ASSY W/ WORD DECALS RH.....1	
--	T108335	COVER ASSY W/ SYMBOL DECALS LH S-60X, Gasoline/LPG models (S. America/Asia)		--	139900	COVER ASSY W/ SYMBOL DECALS RH	
--	T108336	COVER ASSY.W/WORD DECALS LH S-60XC, Diesel models (N. America)		5	6091	NUT,NYLOCK,1/4-20	
--	T108337	COVER ASSY W/ SYMBOL DECALS LH S-60XC, Diesel models (S. America/Asia)		6	6638	WASHER,FLAT,USS,1/4"Y	
--	T108338	COVER ASSY.W/WORD DECALS LH S-60XC, Gasoline/LPG (N. America)		7	75073	HINGE,.375X.120THK.,SLOTTED...1	
--	T108339	COVER ASSY W/ SYMBOL DECALS LH S-60XC, Gasoline/LPG models (S. America/Asia)		--	77778	PLATE,HINGE SUPPORT	
--	T108340	COVER ASSY.W/WORD DECALS LH S-60 TraX, Diesel models (N. America)		8	81874	WELDMENT,LEFT COVER SUPPORT.....1	
--	T108341	COVER ASSY W/ SYMBOL DECALS LH S-60 TraX, Diesel models (S. America/Asia)		--	81876	WELDMENT,RIGHT COVER SUPPORT	
--	T108342	COVER ASSY.W/WORD DECALS LH S-65 (N. America), S-60 & S-65 (Australia), Gasoline/LPG		9	28301	GAS STRUT,250 LBS FORCE***	
--	T108343	COVER ASSY W/ SYMBOL DECALS LH S-65 (S. America/Asia), S-60 HC (Europe) & S-60/65 (Europe) , Gasoline/LPG		--	27377	RETAINER,GAS SPRING***	
--	T108344	COVER ASSY.W/WORD DECALS LH S-65 (N. America), S-60 (AUS), S-60 & S-65 TraX (Australia), Diesel models		--	33555	BALL STUD**	
				10	75076	KEEPER,LATCH (45363)	
				11	49816	SCREW,PHILLIPS,PHM,10-32 X .75	
				12	6146	WASHER,FLAT,MS,#10,Y	
				13	6178	NUT,NYLOCK,10-32	
				14	101964	WELDMENT,EXHAUST TUBE.....1	
				15		Ref. COVER,GRND.CTRL.BOX,PAINTED (refer to 909.1)	
				16	88106P	FORMING,COVER STOP,PAINT	
				17	30973	BUMPER,RUBBER-1 X 1.25	
				18	5397	WASHER,FLAT,USS,5/16",Y	
				19	6782	NUT,NYLOCK,5/16-18	
				20	6090	SCREW,HHC,1/4-20 X .75	



304.1 Engine Side



304.1 Engine Side

Item	Part No.	Description	Qty.	Item	Part No.	Description	Qty.
1	73455	SCREW,HHC,5/8-11 X 2.25 GR8.....1		18	139865	SCREW,HHC,5/8-11 X 4.00 GR8 BO.....24	
2	6036	WASHER,LOCK,.625 PLTD		19	13064	WASHER,FLAT,.625 HARDENED.....24	
3	33418	WASHER,FLAT,.625 X 2.25 X.15		20	88356-13103	SWITCH,LIMIT,W/RLLR ARM,NO/NC.....1	
4A	101540	ENGINE TRAY ASSY W/BEARINGS.....1 <i>all models to SN 24509</i>		--	77666P	FORMING,DRIVE ENABLE LIMIT SW	
--	35675	BEARING,FL,1.25IDX1.5ODX1.25L.2		21	77665P	FORMING,HYD SWIVEL BRACKET.....2	
4B	161613	ASSY,ENGINE TRAY,W/BEARINGS.....1 <i>models with Ford engine from SN 24510 to SN 26027</i>		22	139189	SWING DRIVE ASSEMBLY.....1	
--	35675	BEARING,FL,1.25IDX1.5ODX1.25L.2		--	139308	SWING MOTOR COMPLETE***	
4C	101540	ENGINE TRAY ASSY W/BEARINGS.....1 <i>models with Deutz and Perkins engines from 24510 to SN 26027</i>		--	139309	CBV ASSEMBLY	
--	35675	BEARING,FL,1.25IDX1.5ODX1.25L.2		--	139310	BRAKE TUBING	
4D	161613	ASSY,ENGINE TRAY,W/BEARINGS.....1 <i>all models from SN 26028</i>		--	139311	KIT,FRICITION DISC***	
--	35675	BEARING,FL,1.25IDX1.5ODX1.25L.2		--	139312	KIT,BRAKE SPRING***	
5	61128	SCREW,HHC,3/4-10 X 4 FULL THRD		--	139313	SEAL KIT,SWING BRAKE***	
6	6126	NUT,HEX,JAM,3/4-10		--	139314	KIT,SWING BRAKE REBUILD***	
7	77671	PLATE,BACKLASH ADJUSTMENT MACH.....1		--	139315	O-RING,MOTOR/BRAKE***	
8	94747	SCREW,HHC,1/2-13 X 1.75 GRD 8.....9		--	139323	VALVE,COUNTERBAL,CBCA-LIN***	
9	13066	WASHER,FLAT,.5 HARDENED.....9		--	41489	SCREW,SHC,5/16-18 X 2,PLATED	
10	88212	SCREW,SHC,3/4-10 X 3.00,A574....6		--	6886	WASHER,LOCK,.313	
11	33278	WASHER,FLAT,.75 HARDENED....6		--	94620	SEAL KIT,SWING TORQ HUB***	
12	89571	SWIVEL,HYD 8 PORT***.....1		23	81724	PIN,1.25 X 13.25 IN,CHAMFER.....1	
--	94937	SEAL KIT,8-PORT SWIVEL		24	45226	ROD END,.375 X 3.69.....1	
--	T106954	SEAL, O-RING LIP		25	8516	SCREW,HHC,3/8-16 X 1.50,GR5	
--	T106955	SEAL, POLY, CHAMFER		26	6021	WASHER,LOCK,.375	
--	T106957	SEAL, CAP, NOTCHED		27	75073	HINGE,.375X.120THK.,SLOTTED	
--	T106961	SEAL, O-RING ENERGIZER		28	6888	SCREW,HHC,1/4-20 X 1	
--	T106962	SEAL, CAP, NOTCHED		29	6638	WASHER,FLAT,USS,1/4"Y	
13	77676	WEARPAD,BOOM REST.....1		30	6091	NUT,NYLOCK,1/4-20	
14	6610	SCREW,FHS,3/8-16 X 2 GRD.8.....2		31	106172P	BAFFLE,AIR INTAKE,PAINTED.....1 <i>Diesel models only</i>	
15	6097	WASHER,FLAT,USS,3/8",Y.....2		--	110996P	BAFFLE,AIR INTAKE,FORD PNTD <i>Ford models only</i>	
16	4828	NUT,NYLOCK,3/8-16.....2		32		REF: Brake and 2 Speed Manifold...1 <i>(refer to 406.1 or 406.2)</i>	
17	81834	WELDMENT,TRANSPORT LOCK		33	T106425	FORMING, BULKHEAD,RIGHT,S60/65.....1	
				34	77803	PLATE,SWIVEL ROTATION STOP	
				35	6198	NUT,NYLOCK,1/2-13	
				36	6096	SCREW,HHC,1/2-13 X 2 GR5	
				37	8255	SCREW,HHC,3/8-16 X .75	

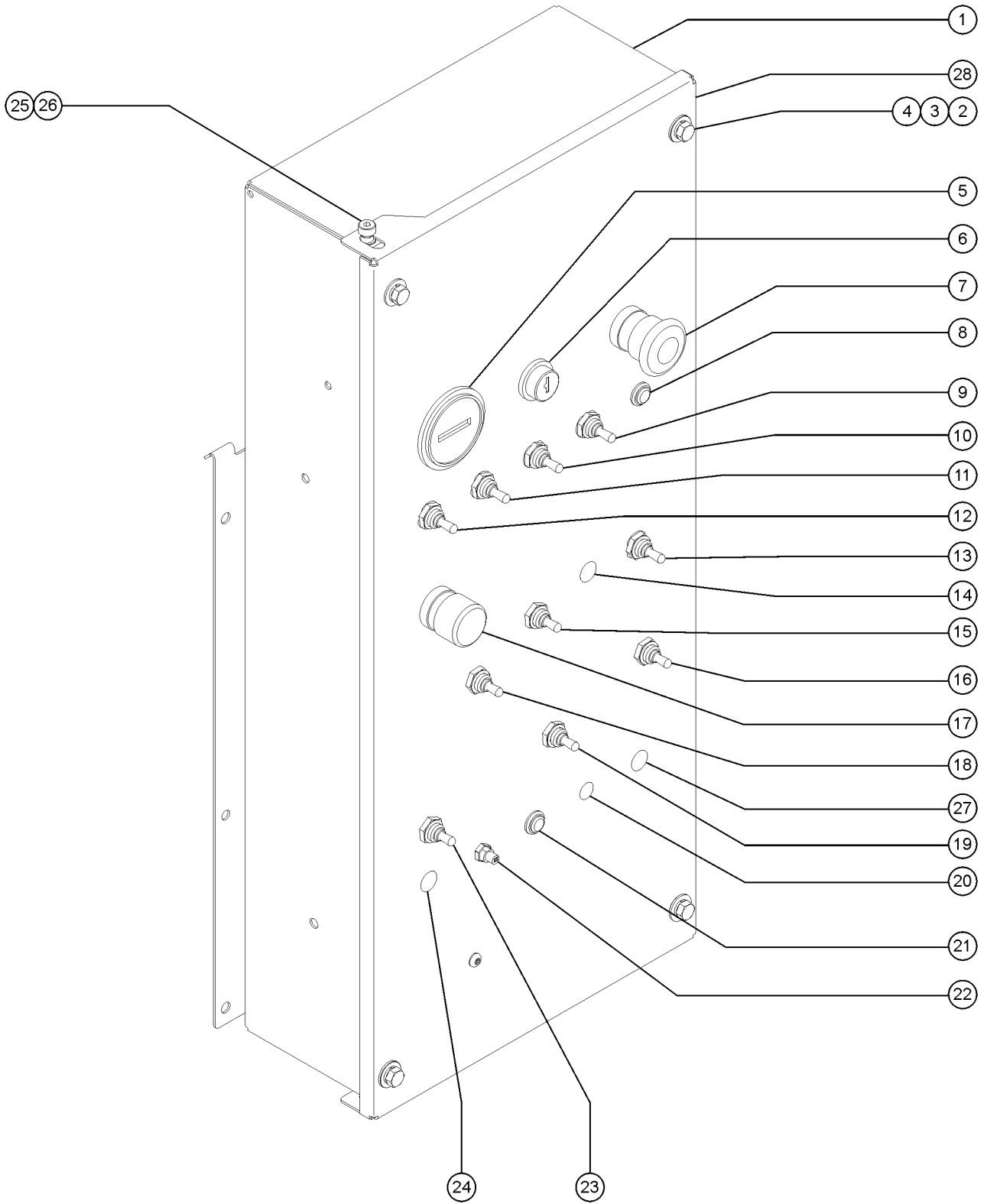


304.1 Engine Side
(continued)

Item	Part No.	Description	Qty.
38	5397	WASHER,FLAT,USS,5/16",Y	
39	77139	FILTER ASSY,M PRESS,SAE8,WOIND*	
--	60857	FILTER,ELEMENT,BETA(5)=1000	
40	60334	FILTER ASSY,HIGH PRESS SAE-12*	
--	58222	O-RING,FILTER ASSY (60334)***	
--	58223	SEAL,FILTER ASSY (60334)***	
--	58380	FILTER INDICATOR-(60334)	
--	60857	FILTER,ELEMENT,BETA(5)=1000	
41	81005	BRACKET,FILTER MOUNT	
42	39882	PLUG,HEX SOCKET,090109B-4.....1	
43	109802	PLUG,STEEL SOCKET,SAE090109B-6.....1	
44	6090	SCREW,HHC,1/4-20 X .75	
45	6356	WASHER,LOCK, .25	

This Page Intentionally Left Blank

305.1 Ground Control Box - View 1



305.1 Ground Control Box - View 1

Item	Part No.	Description	Qty.	Item	Part No.	Description	Qty.
1	T108350	GROUND CONTROL BOX WITH DECAL.....1 <i>models with word decals (Gas/LPG models)</i>	1	14A	229567	PLUG, SANTOPRENE .5 BLACK DOME.....2 <i>(S-60)</i>	2
--	147840	WELDMENT, GROUND BOX, S60/65 <i>models with symbol decals (Diesel and Gas/LPG models)</i>		14B	128200	SWITCH TOGGLE ASSY SPDT 3P MOM.....2 <i>(Jib up/down) (S-65)</i>	2
--	T108346	GROUND CONTROL BOX WITH DECAL <i>models with word decals (Diesel models)</i>		15	128202	SWITCH TOGGLE ASSY DPDT 3P MOM.....1 <i>(Boom extend/retract)</i>	1
2	6090	SCREW,HHC,1/4-20 X .75		16	128202	SWITCH TOGGLE ASSY DPDT 3P MOM.....1 <i>(Platform rotate)</i>	1
3	6356	WASHER,LOCK,,25		17A	66813	BUTTON,PUSH,BLACK W/SEAL***1 <i>(Function enable)</i>	1
4	6638	WASHER,FLAT,USS,1/4"Y		17B	80716	SWITCH,SELECTOR,BLACK <i>ANSI models</i>	
5	19506	HOUR METER,10-80 VOLTS***1		18	128202	SWITCH TOGGLE ASSY DPDT 3P MOM.....1 <i>(Boom up/down)</i>	1
6	96008-S	KEYSWITCH,3 POS. W/KEYS***1		19	128202	SWITCH TOGGLE ASSY DPDT 3P MOM.....1 <i>(Turntable rotate)</i>	1
7	66812	BUTTON,PUSH,RED MUSHROOM HEAD.....1		20	21858	PLUG,NYLON .38 BLACK DOMED.....1	1
--	58627	NUT.....1		21	56298	LIGHT,INDICATOR,RED,14V.....1	1
--	73805	BASE,W/2 NC CONTACTS***1		22	147094	ASSY, CIRCUIT BREAKER 15A....1 <i>(Controls)</i>	1
8A	824879	LIGHT,LED IND. RED 12V NH.....1 <i>(Diesel models)</i>	1	23	128201	SWITCH TOGGLE ASSY DPDT 2P MOM.....1 <i>(Auxiliary pump)</i>	1
8B	119870	LIGHT,INDICATOR,AMB.,12V,ENG..1 <i>(Gas/LPG models)</i>	1	24A	21858	PLUG,NYLON .38 BLACK DOMED.....1	1
9	128204	SWITCH TOGGLE ASSY SPDT 2P MNT.....1 <i>(Engine speed select)</i>	1	24B	56298	LIGHT,INDICATOR,RED,14V <i>(Load sense) (CE models)</i>	
10	128204	SWITCH TOGGLE ASSY SPDT 2P MNT.....1 <i>(Gas/LPG select)</i>	1	25	228463	SCREW,SHS,1/4-20 X .375 ZINC....2	2
--	229567	PLUG, SANTOPRENE .5 BLACK DOME.....1 <i>(Diesel models)</i>	1	26	T107520	NUTSERT,LP KNURLED,1/4-20X.165.....2	2
11	128200	SWITCH TOGGLE ASSY SPDT 3P MOM.....1 <i>(Start assist, glow plug) (diesel models)</i>	1	27	229567	PLUG, SANTOPRENE .5 BLACK DOME.....1	1
--	229567	PLUG, SANTOPRENE .5 BLACK DOME.....1	1	28	T108351	GROUND CONTROL BOX LID WITH DECAL.....1 <i>S-60/65 (Australia & Europe), S-60/65 TraX (Australia & Europe), S-65 (N. America & S. America/Asia), S-65 TraX (N. America & S. America/Asia), S-60HC (Europe) Models with word decals</i>	1
12	128200	SWITCH TOGGLE ASSY SPDT 3P MOM.....1 <i>(Starter)</i>	1				
--	229567	PLUG, SANTOPRENE .5 BLACK DOME.....1	1				
13	128200	SWITCH TOGGLE ASSY SPDT 3P MOM.....1 <i>(Platform level)</i>	1				

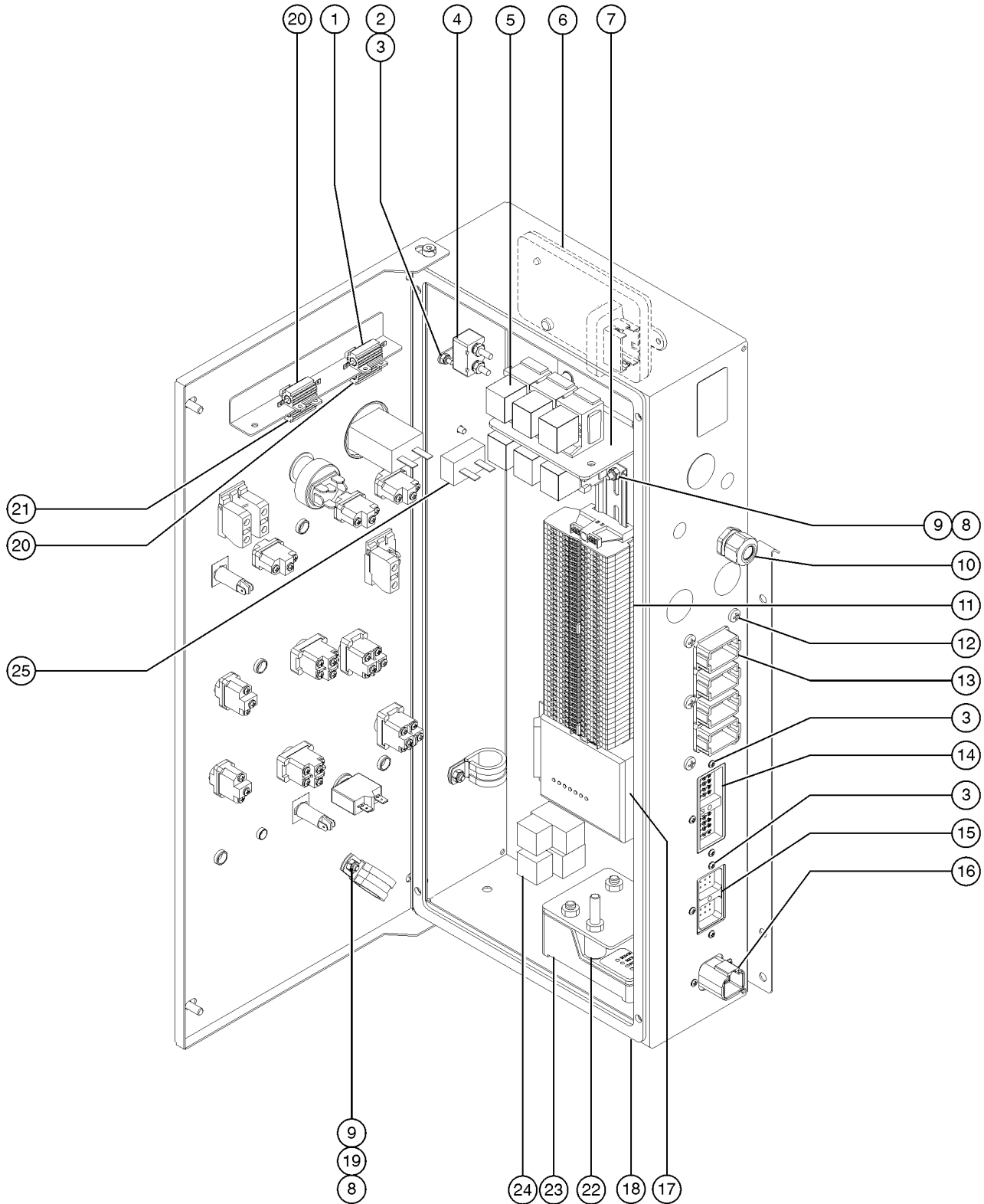


305.1 Ground Control Box - View 1
(continued)

Item	Part No.	Description	Qty.
--	T108347	GROUND CONTROL BOX LID WITH DECAL <i>S-60 TraX (N. America, S. America/Asia)</i>	
--	T108348	GROUND CONTROL BOX LID WITH DECAL <i>S-60X (N. America, S. America/Asia)</i>	
--	T108349	GROUND CONTROL BOX LID WITH DECAL <i>S-60XC (N. America, S. America/Asia)</i>	

This Page Intentionally Left Blank

306.1 Ground Control Box - View 2

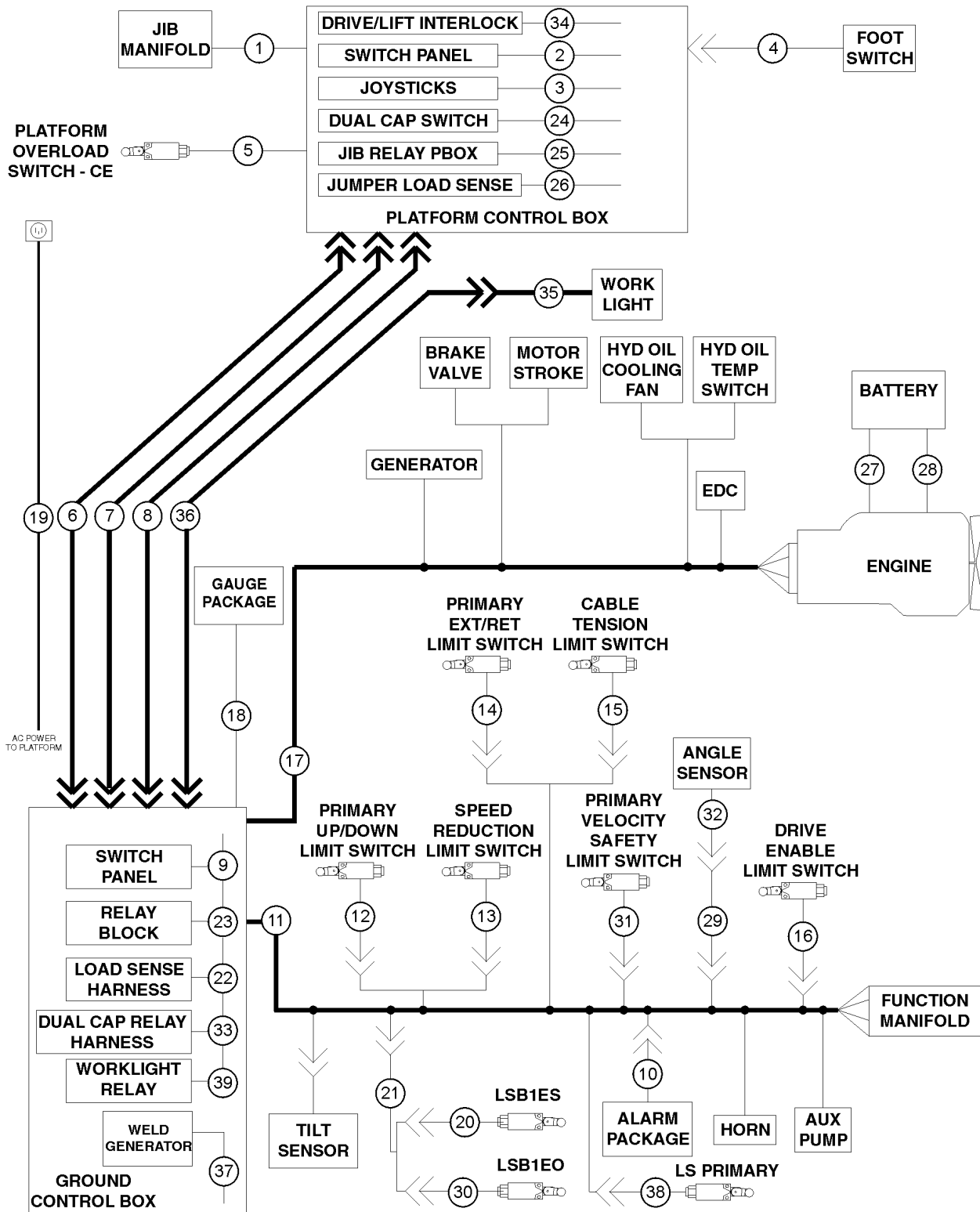


306.1 Ground Control Box - View 2

Item	Part No.	Description	Qty.	Item	Part No.	Description	Qty.
--	121846	RELAY,TIME DELAY,2 SEC,10A <i>models with load sense</i>		12	73803	SCREW,SHM,PHP, #12 X .75	
--	61225	RELAY,12VDC,70AMP,SEALED <i>(glow plug)</i>		13	73736	CONN,RECEP 48 WAY,4 X 12.....1	
1	40614	RESISTOR,5 OHM,25W***	1	14	73754	CONN,RECEP 40 WAY,W/FLANGE.....1	
2	12344	NUT,NYLOCK,6-32		15	73753	CONN,RECEP 24 WAY,W/FLANGE.....1	
3	49820	SCREW,PHILLIPS,PHM,6-32 X .5		16	73717	CONN,RECEP 4 WAY,12-14GA FL***1	
4	128935	CIRCUIT BKR 10A TYPE 2 METAL.....1		17	56057	MODULE,IGNITION/START,12/24V.1	
5A	34052	RELAY,SPDT,12V(AUTO) PLUG IN**.....6 <i>Diesel models</i>		18	121599	GASKET,GBOX,S80/85 2008.....1	
5B	34052	RELAY,SPDT,12V(AUTO) PLUG IN**.....4 <i>Gas/LPG models</i>		19	18666	CLAMP,1.00,#16 X 1/4,RUB CUSH.....2	
--	18605	NUT,NYLOCK,8-32		20	89575	RESISTOR,7.5 OHM,25 WATT,1PCNT.....2	
--	34053	ASSY,RELAY SOCKET, AUTO <i>individual parts no longer available</i>		21	27287	RESISTOR,10 OHM,25 WATT.....1	
--	96010	SCREW,PHILLIPS,PHM,8-32 X.25**		22	102357	RESISTOR ASSY, LINCOLN WELDER.....1 <i>models with welder option</i>	
6	128045	MODULE,LOAD SENSE 2007.....1 <i>CE models only</i>		22	106140	BRACKET,1K OHM 10-TURN POT.....1 <i>models with welder option</i>	
--	54365	SCREW,PHIL,PHM,10-32 X .5,SSTL		23	106657	MODULE,CONTROL,HI AMP.....1 <i>models with welder option</i>	
--	6178	NUT,NYLOCK,10-32		24	147455	HARNES, OMRON RELAY, CR66 <i>models with welder option</i>	
7	54534	ANGLE,RELAY MNT,W/NUTSERTS,PNT.....1		24	33607	RELAY,OMRON,DPDT,12V.....2 <i>models with welder option</i>	
--	23404	NUTSERT,1/4-20,STEEL CAD PLTD		--	33608	RELAY,SOCKET,OMRON.....2 <i>models with welder option</i>	
--	6638	WASHER,FLAT,USS,1/4"Y		25	106637	MODULE,TIME DELAY ON BREAK 4S.....1 <i>models with welder option</i>	
--	7339	SCREW,HHC,1/4-20 X .5					
8	6178	NUT,NYLOCK,10-32					
9	54365	SCREW,PHIL,PHM,10-32 X .5,SSTL					
10	7056	CONN,SQUEEZE,1/2NPT .38-.50,SM.....1					
11	217043	ASSY, TERMINAL RAIL.....1					
--	217044	TERMINAL BLOCK, WIELAND....43					
--	217045	TERMINAL BLOCK, END PLATE....1					
--	217046	KIT, TERMINAL BLOCK					
--	33422	DIN RAIL,17".....1					
--	74913	END STOP, DIN RAIL,SCREW CLAMP.....2					
--	74917	JUMPER COMB, 2-WAY,WIELAND.....4					
--	74918	JUMPER COMB, 3-WAY,WIELAND.....1					



307.1 Wire Harness Diagram



307.1 Wire Harness Diagram

Item	Part No.	Description	Qty.	Item	Part No.	Description	Qty.
--	101191	WIRE LOOM,1"DIA.SLIT,HI TEMP		8A	139733	HARNESS, 12/3 12V TO PLAT JIB.....1	1
--	110803	HARNESS PROGRAM CAN PLUS1 S-60HC				S-65	
--	110987	SOFTWARE,S60HC,TCON,+1 S-60HC		8B	139734	HARNESS, 12/3 12V TO PLAT NJ.....1	1
--	110988	SOFTWARE,S60HC,SCON,+1 S-60HC		9	147652	HARNESS,GBOX WIRING.....1	1
--	119607	SOFTWARE,S60HC,DIAGNOSTIC,+1 S-60HC		10	147300	HARNESS, ALARM PACKAGE.....1	1
--	49219	SLEEVE,NYLON,2.19 ID,BULK near platform; 48 inches required		11	147650	HARN,FUNCT MANIFOLD,S60/65.....1	1
A	58253	KIT,REPAIR,DEUTSCH PLUG,W/TUBE small kit		12	139832	HARNESS, LS, OP, PRI ANGLE....1	1
B	83129	KIT,REPAIR,DEUTSH CONNECTORS** large kit		13	139835	HARNESS, LS, OP, PRI, VELOCITY.....1	1
C	61794	CRIMPER,DEUTSCH,LIGHT DUTY*** tool		14	139836	HARNESS, LS, OP, PRIMARY.....1	1
D	101191	WIRE LOOM,1"DIA.SLIT,HI TEMP		15	139833	HARNESS, LS, OP, CABLE TENSION.....1	1
E	49219	SLEEVE,NYLON,2.19 ID,BULK.....48-inches near platform; 48 inches required		16	139834	HARNESS,LS,DRIVE ENABLE.....1	1
F	110390	HARNESS,BOOM CABLE HIGH CAP. S-60HC		17	88810	HARNESS,DEUTZ ENGINE.....1	1
1	101080	HARNESS,JIB SELECT MANIFOLD.....1	1	--	110268	HARNESS PERKINS ENGINE S60 ALT.....1	1
2	147642	HARNESS,PBOX,S60/65.....1	1	--	119483	FUEL JUMPER HARNESS Ford modes; from SN 19677	
3	147643	HARN,PBOX,JOYSTICK,S60/65.....1	1	--	119777	HARNESS,FORD DSG423,S60.....1	1
4		REF: Foot Switch Assembly (refer to 701.1)		--	122053	HARNESS,S60 TURBO DEUTZ SPEC.....1	1
5	121848	ASSY,LS,LOAD SENSE,38.5 IN.....1	1	--	147428	HARNESS,FORD STARTER.....1	1
6A	139737	HARNESS, 18/22, CABLE JIB.....1	1			Ford models; from SN 21009)	
6B	139738	HARNESS, 18/22, CABLE NJ.....1	1	18	107552	HARNESS,GAUGE OPT.,S60 DEUTZ.....1	1
7A	139735	HARNESS, 18/19, CABLE JIB.....1	1	--	T108415	HARNESS,GAUGE OPT.,S60 PERKINS.....1	1
7B	823917	HARNESS,18/22,CABLE2 JIB.....1	1	19A	139731	HARNESS, AC POWER TO PLAT JIB.....1	1
7C	139736	HARNESS, 18/19, CABLE NJ.....1	1			(S-65)	
7D	823918	HARNESS,18/22,CABLE2 NJ.....1	1	19B	139732	HARNESS, AC POWER TO PLAT NJ.....1	1
		S-60, from SN 26287				S-60	
				20	T108321	HARN,LS SAFETY,PRI.DUAL CAP.....1	1
				21	147654	HARN,LS CABLE,S60 DUAL CAP...1	1
						S-60X, S-60XC and S-60 TraX	
				22	139741	HARNESS, LOAD SENSE, GBOX...1	1
				--	147255	HARNESS, JUMPER, LOAD SENSE.....1	1
				23	147646	HARN,GBOX & RELAY WIRES,DIESEL.....1	1

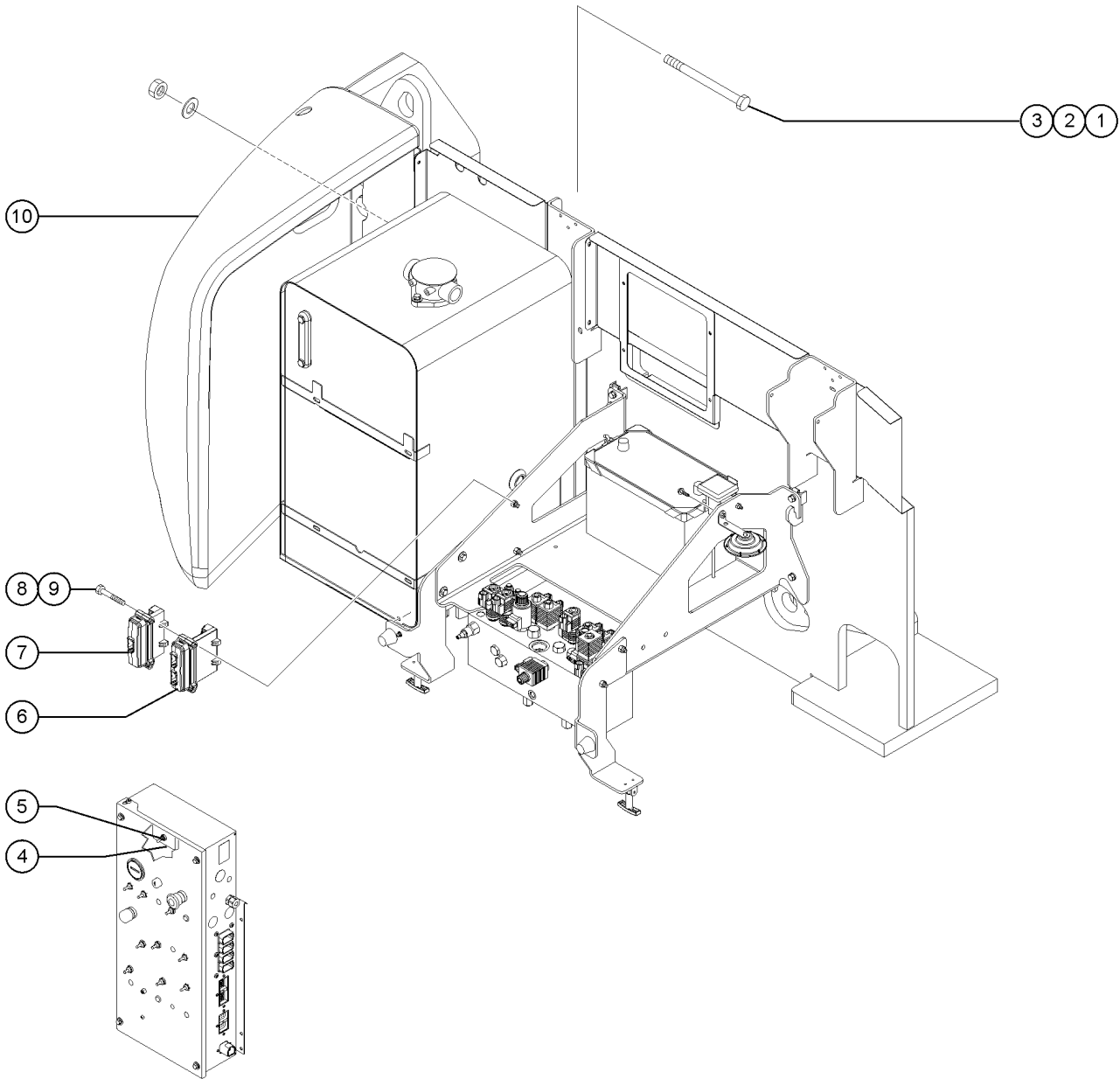


307.1 Wire Harness Diagram (continued)

Item	Part No.	Description	Qty.
--	147647	HARN, GBOX & RELAY WIRES, FORD.....	1
24	T108886	HARN,PBOX,DUAL CAP.....	1
25	147657	HARNESS,JIB,PBOX,S65.....	1
26	147031	HARNESS, LOAD SENSE.....	1
27	88801	BATTERY CABLE,POSITIVE,RED.....	1
28	88802	BATTERY CABLE,NEGATIVE,BLACK.....	1
29	T106600	HARNESS, ANGLE SENSOR CONN. CABLE.....	1
30	T108322	HARN, LS OP PRI.DUAL CAP.....	1
31	T106741	HARN,LS,SAFETY,PRI,VELOCITY..	1
32	94980	SENSOR,DUAL OUTPUT,ANGLE...1	1
33	T107130	HARN, P.BOX,DUAL CAP.....	1
34	T108416	HARNESS,DRIVE/LIFT INTERLOCK.....	1
35	T114627	HARNESS,12V WORK LIGHTS.....	1
36A	T114625	CABLE,S60 12VDC WORK LIGHT.....	1
		S-60	
36B	T114626	CABLE,S65 12VDC WORK LIGHT.....	1
		S-65	
37	147396	HARNESS,GENERATOR POWER.....	1
38	T106741	HARN,LS,SAFETY,PRI,VELOCITY..	1
39	T114624	HARN,12V WORK LIGHT RELAY....	1

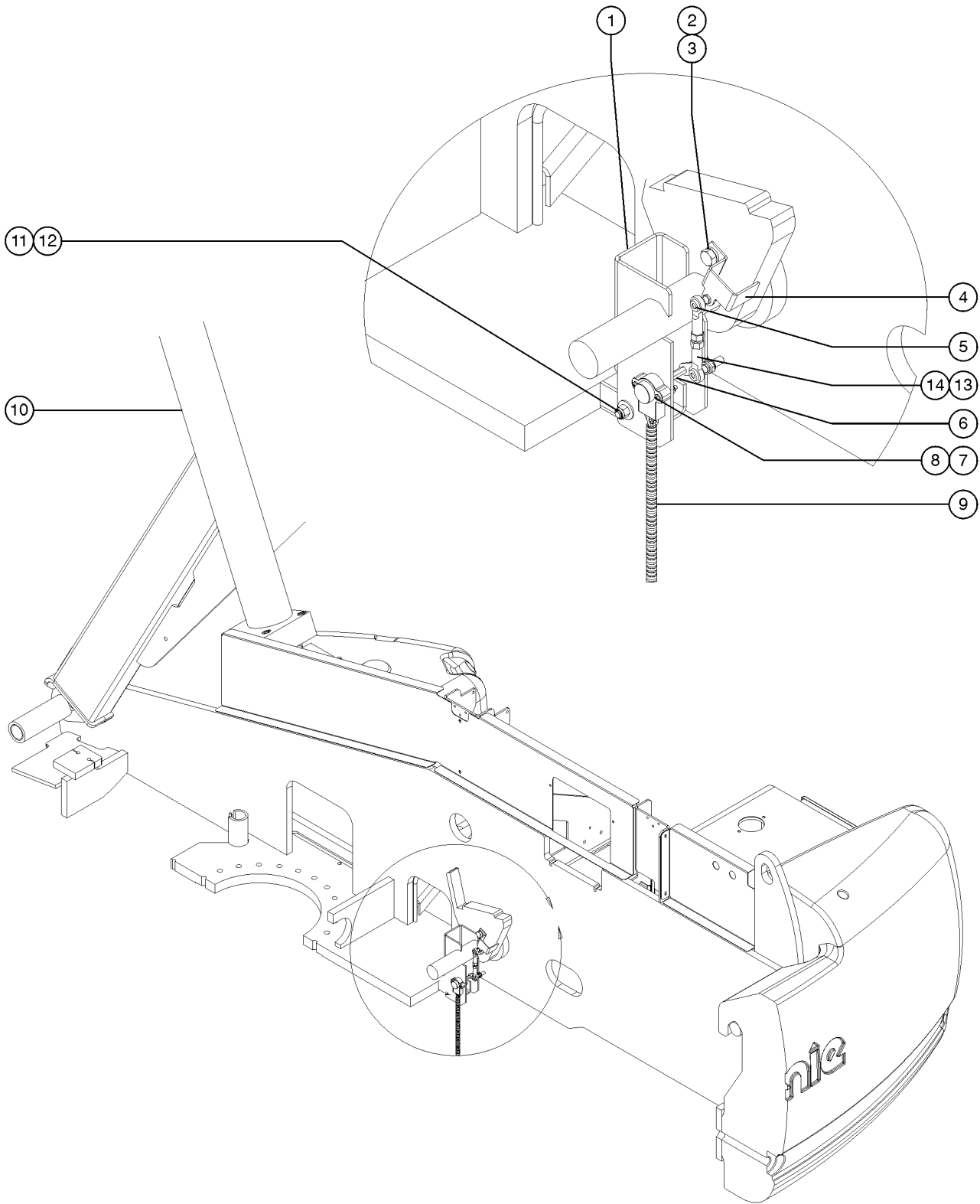
This Page Intentionally Left Blank

308.1 S-60 HC Turntable - View 1



Item	Part No.	Description	Qty.
1	73928	SCREW,HHC,1-8 X 11,GRD 5***.....1	1
2	38859	WASHER,FLAT,USS,1",Y	
3	29764	NUT,NYLOCK,1-8	
4	119246	FORMING,CAL TOGGLE SWITCH.....1	1
5	13480-S	SWITCH,TOGGLE,DPDT,2POS MOMEN.....1	1
6	110991	CONTROLLER ASSY TCON S60HC.....1	1
7	110992	CONTROLLER ASSY SCON S60HC.....1	1
8	74254	SCREW,HHC,1/4-20 X 4.5	
9	6091	NUT,NYLOCK,1/4-20	
10	88889	COUNTERWEIGHT,S60/65 5500LBS**.....1 <i>S-60X, S-60 and-S60 TraX with 750 lb capacity; S-65 & S-65 TraX</i>	1

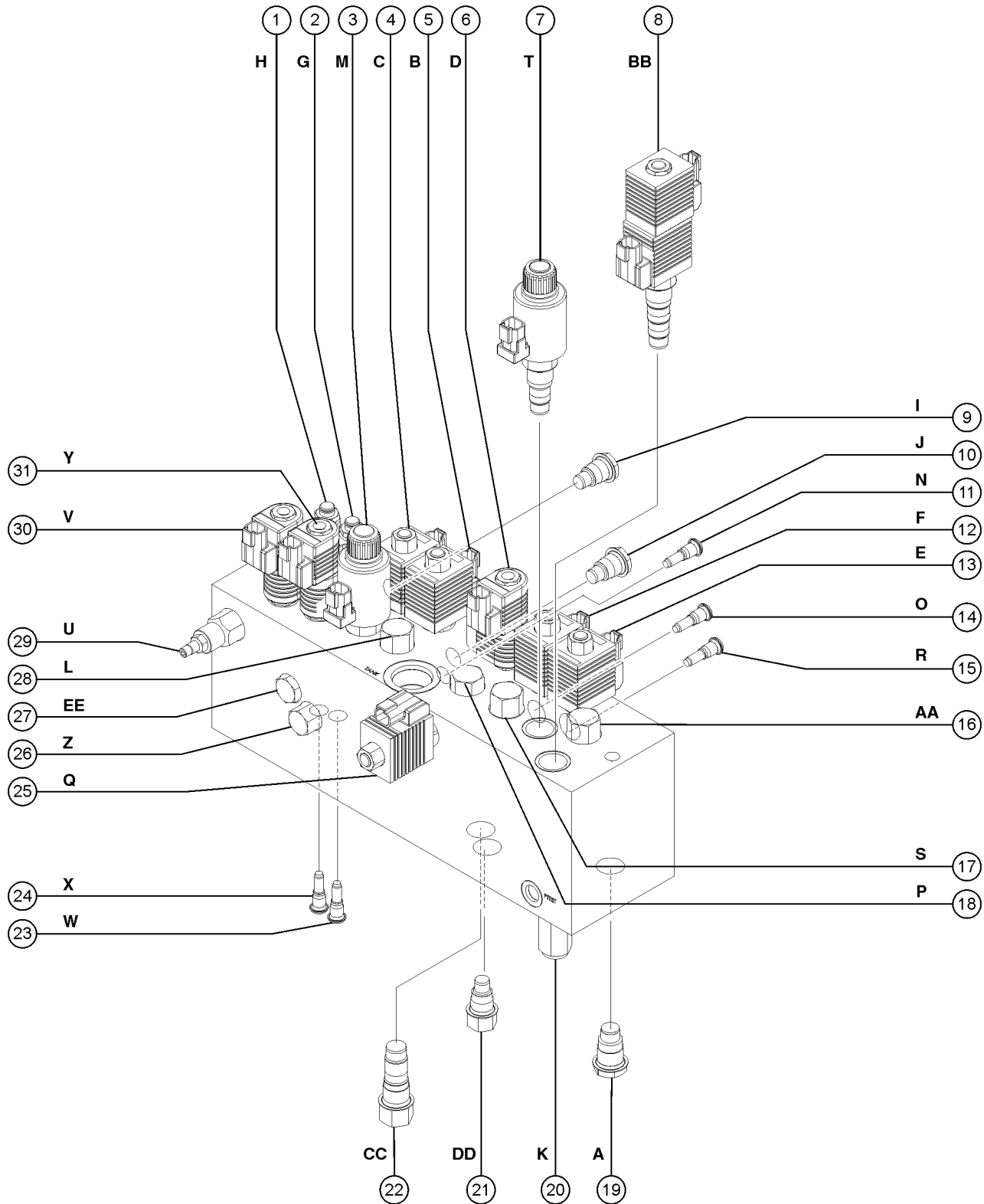
309.1 S-60 HC Turntable - View 2



309.1 S-60 HC Turntable - View 2

Item	Part No.	Description	Qty.
1	106883P	FORMING, SENSOR BRACKET.....1	
2	10597	SCREW,HHC,1/2-13 X 1.25 GR5.....1	
3	6033	WASHER,LOCK,0.5".....1	
4	119044	FORMING,ANGLE LINKAGE BRACKET.....1	
5	110329	BALL JOINT, 3/8-24 FEMALE.....1 <i>qty (1)</i>	
--	110755	NUT,HEX,JAM,3/8-24	
--	5408	NUT,LP NYLOCK,3/8-24	
6	106884	WELDMENT, ROTATOR ARM.....1	
7	6179	SCREW,RHM,10-32 X 1.25.....2	
8	6178	NUT,NYLOCK,10-32.....2	
9	94980	SENSOR,DUAL OUTPUT,ANGLE...1 <i>(calibration required after replacement)</i>	
--	119068	CONN,RECEP 6 WAY ENDCAP DT	
--	20973-1700	WIRE LOOM,3/8 POLY SLIT	
--	60445	LOCK,RECEP 6 WAY,14-18GA	
--	60455	TERM,GOLD PIN,18-16GA REEL	
10	107825	CYLINDER, LIFT, S60HC.....1	
--	101252	SEAL KIT (88653)	
--	128464	VALVE,COUNTERBAL,CWCK-LHN@3500	
--	60984	VALVE,COUNTERBAL,CBBB-LJN@5000	
11	6175	SCREW,HHC,3/8-16 X 1.....2	
12	4828	NUT,NYLOCK,3/8-16.....2	
13	139440	BALL JOINT, 3/8-24 LEFT HAND.....1	
--	139441	NUT,HEX,JAM,3/8-24, LEFT HAND	
--	5408	NUT,LP NYLOCK,3/8-24	
14	139366	ADJ ROD, LH/RH, 3/8-24.....1	

401.1 Function Manifold



A TEREX BRAND

401.1 Function Manifold

Item	Part No.	Description	Qty.	Item	Part No.	Description	Qty.
--	139963	MANIFOLD,FUNCTION		--	89861	COIL, 10V DC (D10, 20 WATT)	
--	94499	ACCUMULATOR,10CC,1000PSI,#6SAE <i>(not shown)</i>		9	62257	VALVE,CHECK, 30 PSI.....1 <i>Differential sensing circuit, platform rotate left and jib boom up (S-65, S-65 Trax)</i>	
1	62256	VALVE,CB 3:1 3500 PSI.....1 <i>Platform level down</i>		--	74902	SEAL KIT, VALVE	
--	110202	SEAL KIT, VALVE, #10		10	62257	VALVE,CHECK, 30 PSI.....1 <i>Differential sensing circuit, platform rotate right and jib boom down (S-65, S-65 Trax)</i>	
2	62256	VALVE,CB 3:1 3500 PSI.....1 <i>Platform level up</i>		--	74902	SEAL KIT, VALVE	
--	110202	SEAL KIT, VALVE, #10		11	27807	VALVE,CHECK***1 <i>Differential sensing circuit, boom extend/retract</i>	
3	107753	VALVE,PROPORTIONAL.....1 <i>Boom extend/retract</i>		--	110200	SEAL KIT, VALVE, #4	
--	45921	RETAINER-N.C.PROPOR.SOLENOID		12	89309	VALVE - SOLENOID 2POSITION 3WA.....1 <i>Boom down</i>	
--	58303	COIL,VALVE,PROPORTIONAL***		--	45912	NUT,SOLENOID,2POS 3WAY	
--	89310	SEAL KIT, SOLENOID VALVE		--	62275	COIL,10V	
4	89309	VALVE - SOLENOID 2POSITION 3WA.....1 <i>Boom retract</i>		--	89310	SEAL KIT, SOLENOID VALVE	
--	45912	NUT,SOLENOID,2POS 3WAY		13	89309	VALVE - SOLENOID 2POSITION 3WA.....1 <i>Boom up/down circuit</i>	
--	62275	COIL,10V		--	45912	NUT,SOLENOID,2POS 3WAY	
--	89310	SEAL KIT, SOLENOID VALVE		--	62275	COIL,10V	
5	89309	VALVE - SOLENOID 2POSITION 3WA.....1 <i>Boom extend</i>		--	89310	SEAL KIT, SOLENOID VALVE	
--	45912	NUT,SOLENOID,2POS 3WAY		14	27807	VALVE,CHECK***1 <i>Differential sensing circuit, turntable rotate</i>	
--	62275	COIL,10V		--	110200	SEAL KIT, VALVE, #4	
--	89310	SEAL KIT, SOLENOID VALVE		15	27807	VALVE,CHECK***1 <i>Differential sensing circuit, boom up/down</i>	
6	89307	VALVE,SOLENOID 3POS 4WAY*....1 <i>Turntable rotate</i>		--	110200	SEAL KIT, VALVE, #4	
--	52943	NUT,SOLENOID VALVE		16	111705	VALVE,FLOW REGULATOR 3.5 GPM**1 <i>Steer left/right circuit</i>	
--	62273	COIL,GREEN W/ 2 PIN CONNECTOR*		--	110202	SEAL KIT, VALVE, #10	
--	72047	SEAL KIT, SOLENOID VALVE		17	94599	VALVE,DIFFERENTIAL SENSING,110.....1 <i>Boom up/down circuit</i>	
--	89311	SPACER, DUAL COIL		--	110197	SEAL KIT, VALVE, #10	
7	107753	VALVE,PROPORTIONAL <i>Boom up/down circuit</i>		18	27802	VALVE,DIFFERENTIAL SENSING***1 <i>Turntable rotate circuit</i>	
--	45921	RETAINER-N.C.PROPOR.SOLENOID					
--	58303	COIL,VALVE,PROPORTIONAL***					
--	89310	SEAL KIT, SOLENOID VALVE					
8	62260	VALVE,SOLENOID 3 POS,4WAY***1 <i>Steer left/right</i>					
--	110196	SEAL KIT, VALVE, #10					
--	52943	NUT,SOLENOID VALVE					



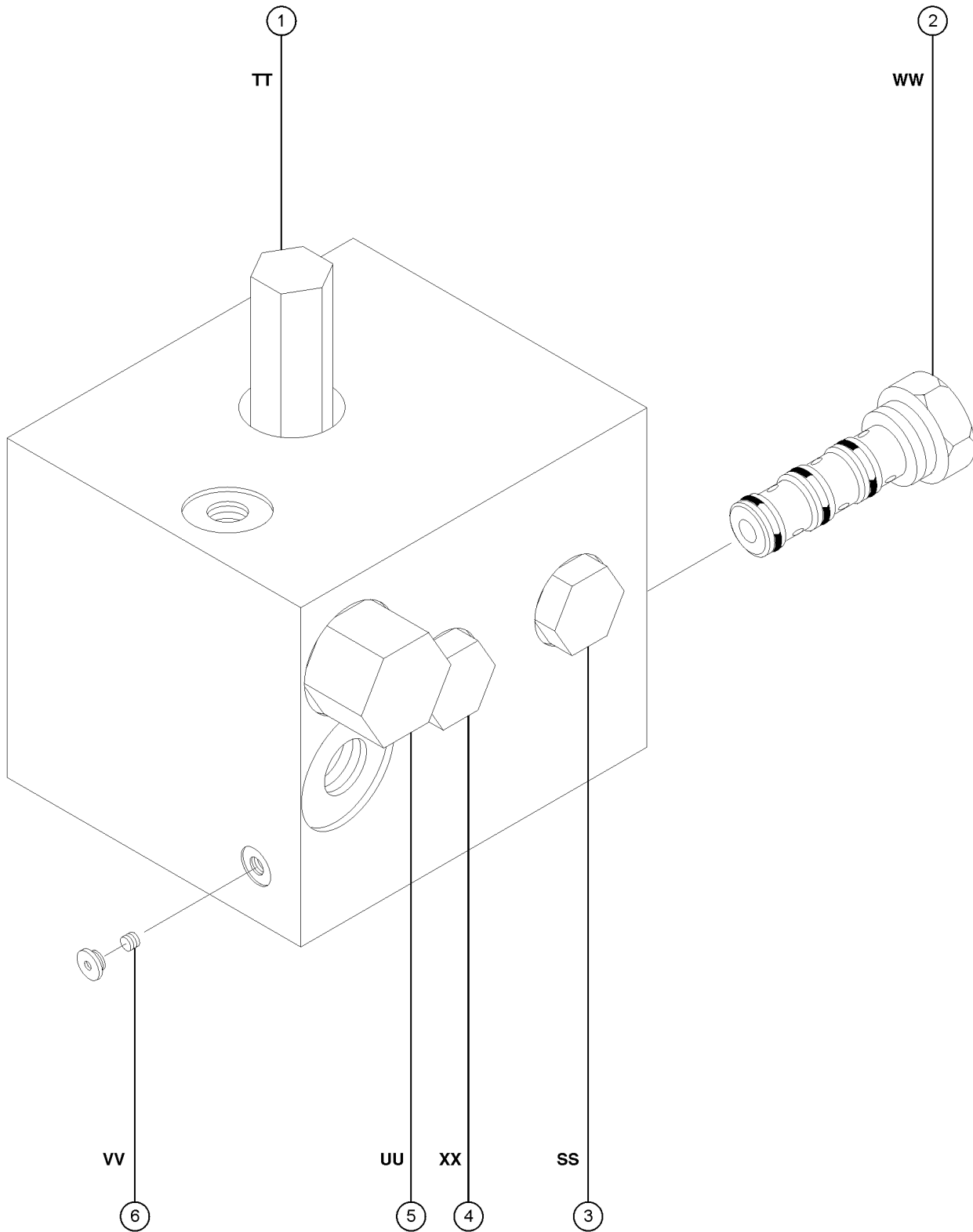
401.1 Function Manifold
(continued)

Item	Part No.	Description	Qty.	Item	Part No.	Description	Qty.
--	110197	SEAL KIT, VALVE, #10		--	110194	SEAL KIT, VALVE, #10	
19	27836	VALVE,CHECK,5 PSI.....1 <i>Blocks flow from auxiliary pump to function pump</i>	1	30	89307	VALVE,SOLENOID 3POS 4WAY*....1 <i>Platform level up/down</i>	1
--	110194	SEAL KIT, VALVE, #10		--	52943	NUT,SOLENOID VALVE	
20	45489	VALVE,RELIEF 3000 PSI***.....1 <i>System relief</i>	1	--	62273	COIL,GREEN W/ 2 PIN CONNECTOR*	
--	110194	SEAL KIT, VALVE, #10		--	72047	SEAL KIT, SOLENOID VALVE	
21	32975	VALVE,FLOW REGULATOR,.1 GPM.....1 <i>Bleeds off differential sensing valves to tank</i>	1	--	89311	SPACER, DUAL COIL	
--	74902	SEAL KIT, VALVE		31	89307	VALVE,SOLENOID 3POS 4WAY*....1 <i>Platform rotate and jib boom up/down (S-65, S-65 TraX)</i>	1
22	27804	VALVE,DIFFERENTIAL SENSING***.....1 <i>Differential sensing circuit, meters flow to functions</i>	1	--	52943	NUT,SOLENOID VALVE	
--	110201	SEAL KIT, VALVE, #10		--	62273	COIL,GREEN W/ 2 PIN CONNECTOR*	
23	27807	VALVE,CHECK***.....1 <i>Differential sensing circuit, platform level up</i>	1	--	72047	SEAL KIT, SOLENOID VALVE	
--	110200	SEAL KIT, VALVE, #4		--	89311	SPACER, DUAL COIL	
24	27807	VALVE,CHECK***.....1 <i>Differential sensing circuit, platform level down</i>	1				
--	110200	SEAL KIT, VALVE, #4					
25	94598	VALVE,PROPORTIONAL***.....1 <i>Turntable rotate left/right</i>	1				
--	62274	COIL,12V					
--	62276	NUT,SOLENOID VALVE					
--	89736	SEAL KIT, PROPORTIONAL VALVE					
26	31100	VALVE,FLOW REGULATOR 0.6GPM.....1 <i>Platform rotate and jib boom (S-65, S-65 TraX)</i>	1				
--	74902	SEAL KIT, VALVE					
27	62257	VALVE,CHECK, 30 PSI.....1 <i>Platform rotate and jib boom circuit (S-65, S-65 TraX) (prevents hydraulic hoses from draining back to tank)</i>	1				
--	74902	SEAL KIT, VALVE					
28	94599	VALVE,DIFFERENTIAL SENSING, 110.....1 <i>Boom extend/retact circuit</i>	1				
--	110197	SEAL KIT, VALVE, #10					
29	62258	VALVE,NEEDLE***.....1 <i>Platform level circuit</i>	1				



This Page Intentionally Left Blank

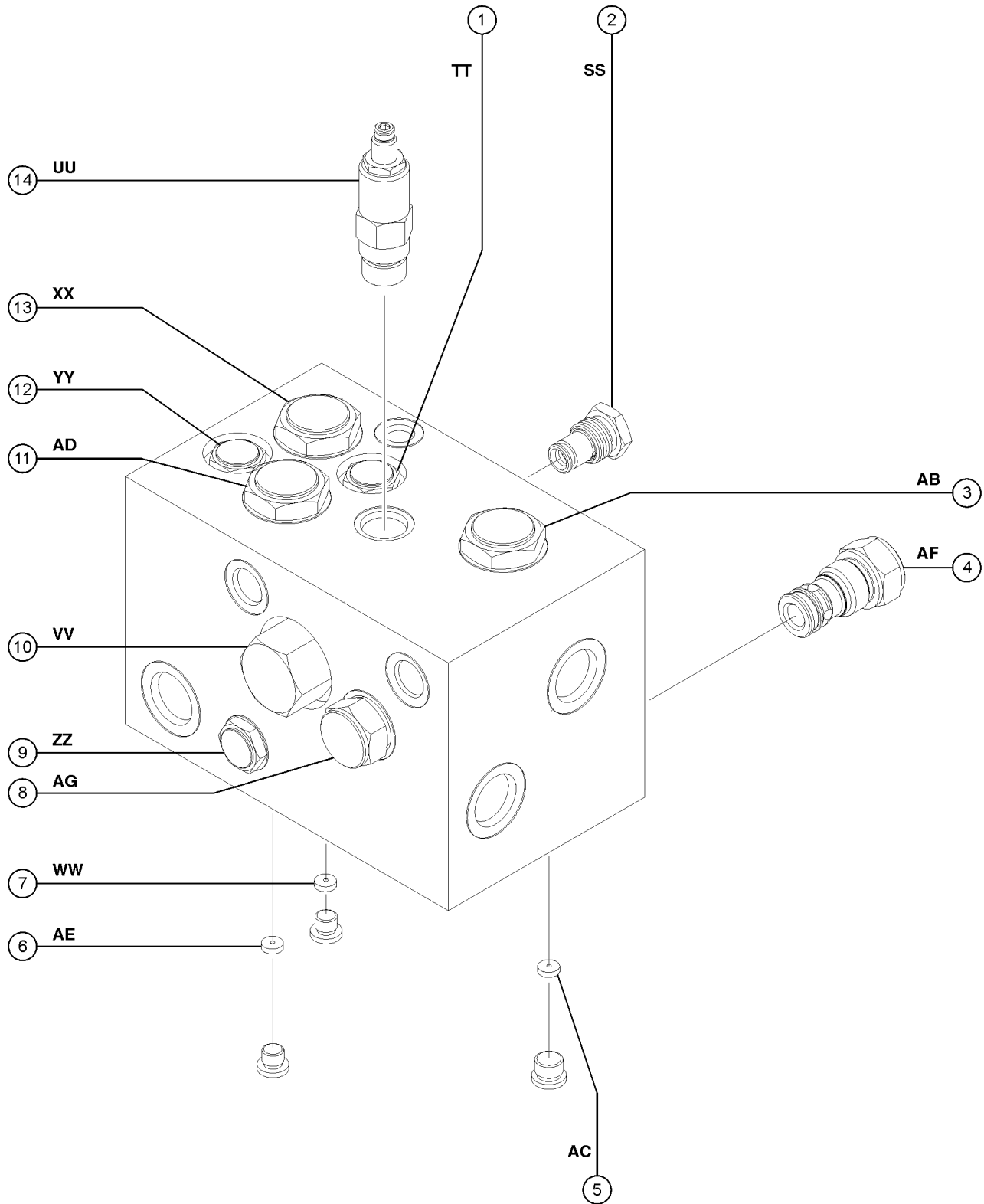
402.1 Traction Manifold, 2WD



402.1 Traction Manifold, 2WD

Item	Part No.	Description	Qty.
--	88783	MANIFOLD,TRACTION,2WD	
1	94758	VALVE,RELIEF,280PSI.....1 <i>Charge Pressure circuit</i>	1
--	110194	SEAL KIT, VALVE, #10	
2	52726	VALVE,FLOW DIVIDER/COMBINER.....1 <i>Controls flow to drive motors in forward and reverse</i>	1
--	84135	SEAL KIT, VALVE	
3	27836	VALVE,CHECK,5 PSI.....1 <i>Drive circuit</i>	1
--	110194	SEAL KIT, VALVE, #10	
4	27836	VALVE,CHECK,5 PSI.....1 <i>Drive circuit</i>	1
--	110194	SEAL KIT, VALVE, #10	
5	27761	VALVE,SHUTTLE.....1 <i>Charge Pressure circuit that directs hot oil out of low pressure side of drive pump</i>	1
--	84134	SEAL KIT, VALVE	
6	101440	ORIFICE PLUG, 0.070".....1 <i>Drive motor circuit</i>	1

403.1 Traction Manifold, 4WD (to serial number 21231)

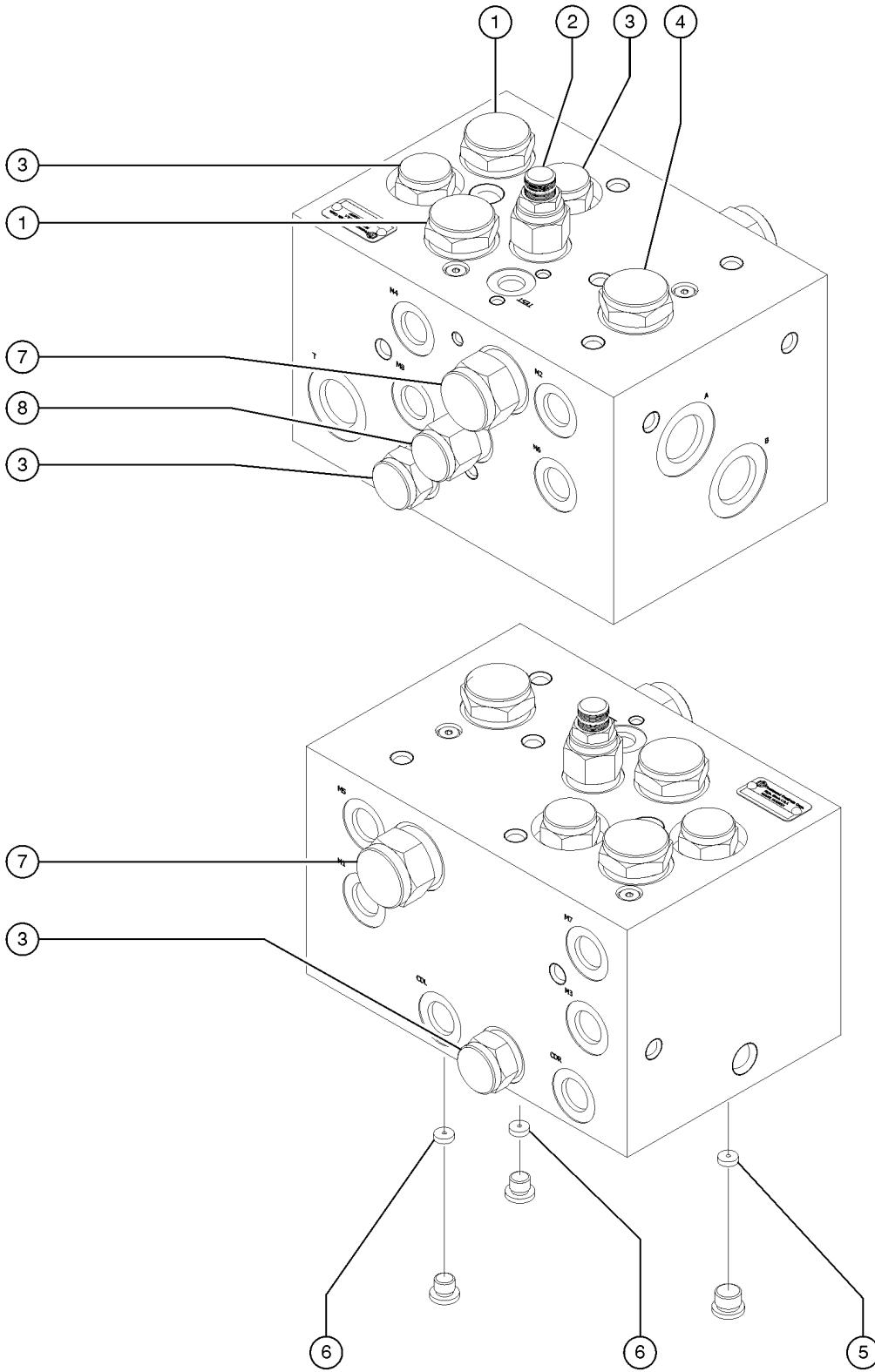


403.1 Traction Manifold, 4WD (to serial number 21231)

Item	Part No.	Description	Qty.	Item	Part No.	Description	Qty.
--		Ref. MANIFOLD, TRACTION, 4WD*** <i>(refer to 403.2)</i>		13	94752	VALVE FLOW DIVIDER/COMBINER.....1 <i>Controls flow to steer end drive motors in forward and reverse (88784)</i>	1
1	94757	VALVE, CHECK, 3 PSI***1 <i>Steer End Drive motor circuit (88784)</i>	1	--	128417	SEAL KIT	
--	128416	SEAL KIT		14	101446	VALVE, RELIEF 280 PSI.....1 <i>Charge pressure circuit (88784)</i>	1
2	94757	VALVE, CHECK, 3 PSI***1 <i>Non-steer End Drive motor circuit (88784)</i>	1	--	128416	SEAL KIT	
--	128416	SEAL KIT					
3	94754	VALVE, FLOW DIVIDER/COMBINER.....1 <i>Controls flow to flow divider/combiner valves (88784)</i>	1				
--	128417	SEAL KIT					
4	94756	VALVE, CHECK, 2.5 PSI.....1 <i>Non-steer End Drive motor circuit (88784)</i>	1				
--	128418	SEAL KIT					
5	94751	ORIFICE, 0.040"1 <i>Equalizes pressure on both sides of flow divider/combiner valve 3</i>	1				
6	94751	ORIFICE, 0.040"1 <i>Equalizes pressure on both sides of flow divider/combiner valve 11</i>	1				
7	94751	ORIFICE, 0.040"1 <i>Steer End Drive motor circuit (88784)</i>	1				
8	94756	VALVE, CHECK, 2.5 PSI.....1 <i>Steer End Drive motor circuit (88784)</i>	1				
--	128418	SEAL KIT					
9	94757	VALVE, CHECK, 3 PSI***1 <i>Steer End Drive motor circuit (88784)</i>	1				
--	128416	SEAL KIT					
10	94753	VALVE, SHUTTLE, 40 PSI.....1 <i>Charge pressure circuit that directs hot oil out of low pressure side of drive pump (88784)</i>	1				
--	128417	SEAL KIT					
11	94752	VALVE FLOW DIVIDER/COMBINER.....1 <i>Controls flow to steer end drive motors in forward and reverse (88784)</i>	1				
--	128417	SEAL KIT					
12	94757	VALVE, CHECK, 3 PSI***1 <i>Non-steer End Drive motor circuit (88784)</i>	1				
--	128416	SEAL KIT					



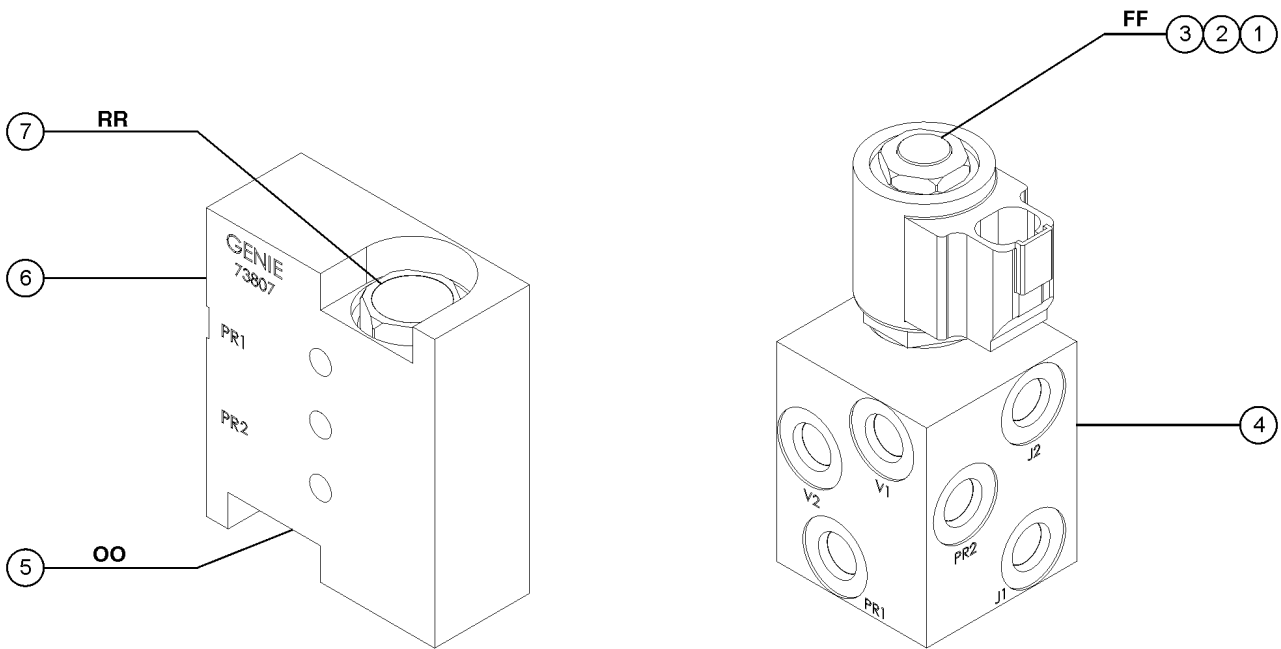
403.2 Traction Manifold, 4WD (from serial number 21232)



403.2 Traction Manifold, 4WD (from serial number 21232)

Item	Part No.	Description	Qty.
--	139712	MANIFOLD,TRACTION,4WD*** <i>(replaced 88784 at SN 21232)</i>	
1	139717	VALVE, FLOW DIVIDE/COMB,24GPM.....	2
--	139512	SEAL KIT, VALVE	
2	139718	VALVE, RELIEF, 280PSI.....	1
--	139528	SEAL KIT, VALVE	
3	139527	VALVE, CHECK, 5PSI.....	3
4	139508	VALVE, FLOW DIVIDE/COMBINE 1:1.....	1
5	139719	ORFICE, 0.040"..... <i>(equalizes pressure on both sides of flow divider/combiner valve 3)</i>	1
6	139719	ORFICE, 0.040"..... <i>(equalizes pressure on both sides of flow divider/combiner valve 1)</i>	1
7	139716	VALVE, CHECK.....	2
--	139727	SEAL KIT, VALVE	
8	139715	VALVE, SHUTTLE, FIXED.....	1
--	139726	SEAL KIT, VALVE	

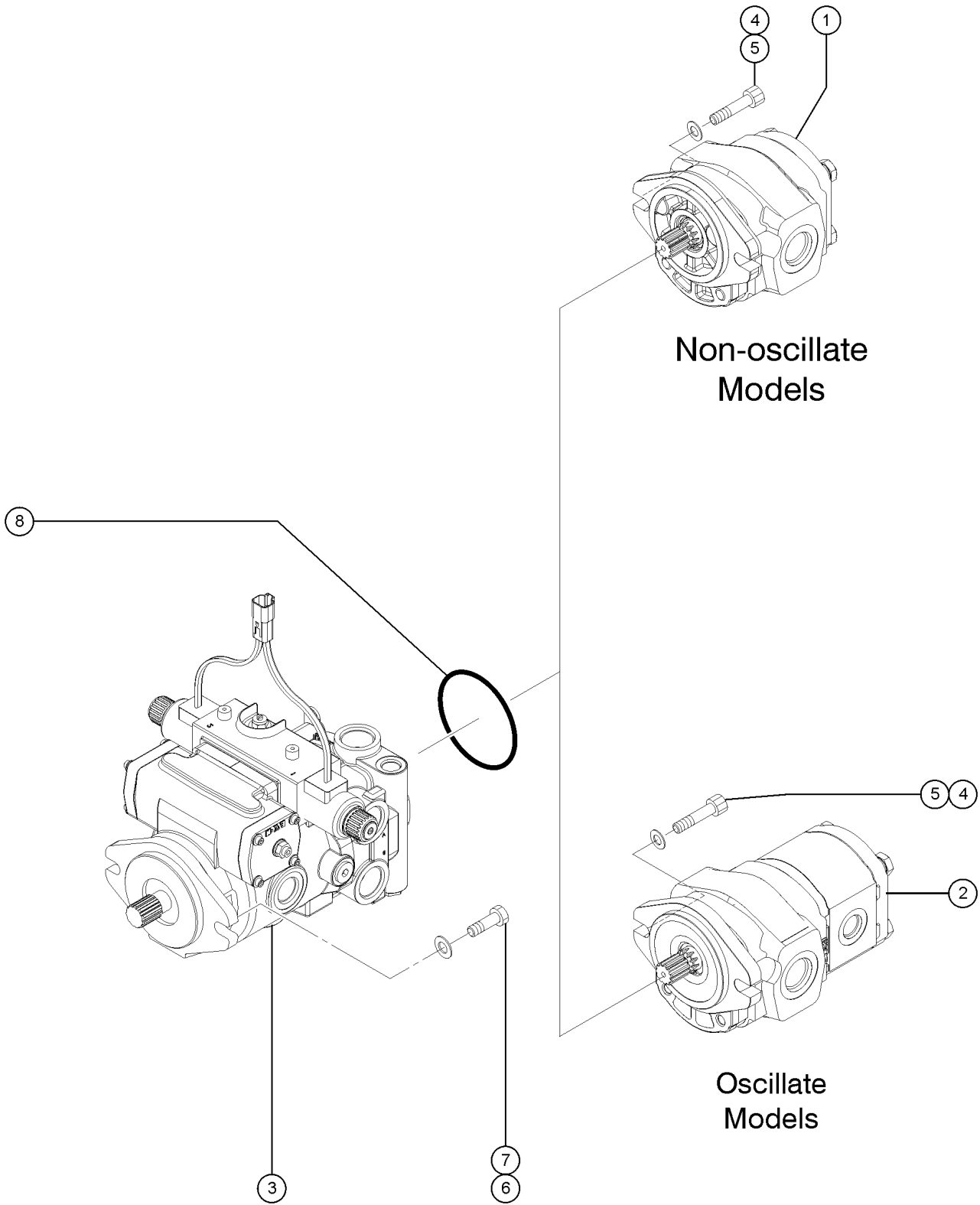
404.1 Platform Rotate and Jib Boom/Platform Rotate Manifold



404.1 Platform Rotate and Jib Boom/Platform Rotate Manifold

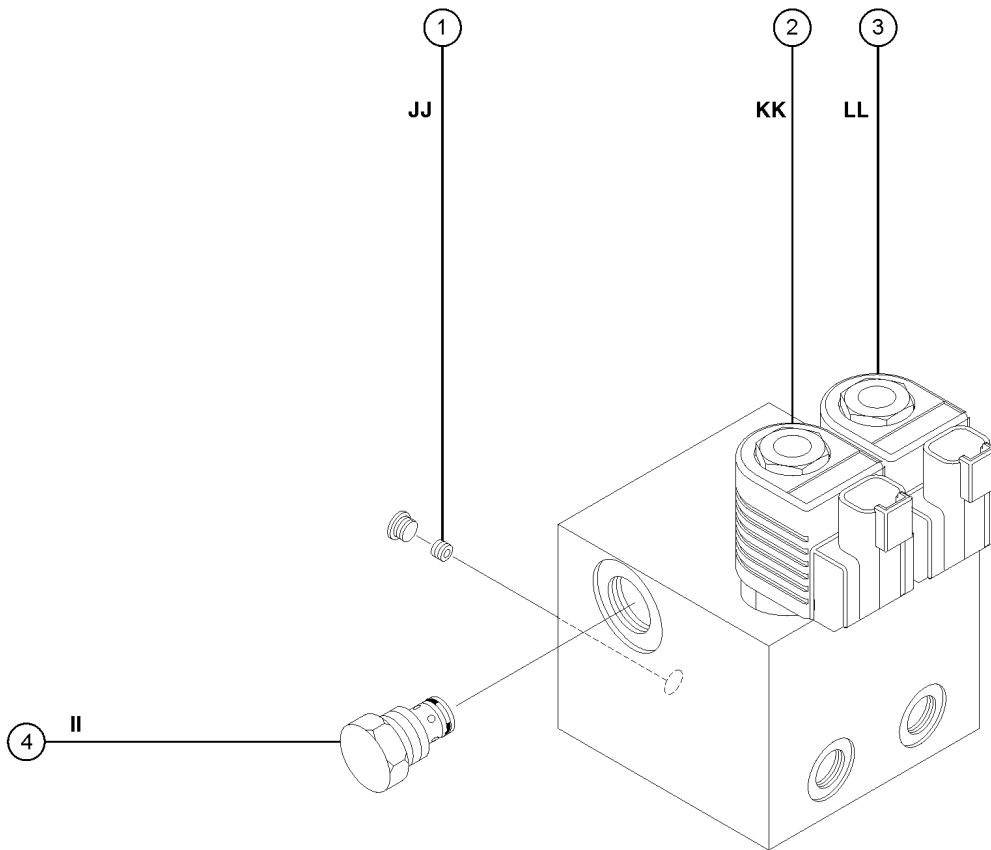
Item	Part No.	Description	Qty.
1	44174	NUT-COIL SHORT.....	1
2	89862	VALVE-SOLENOID,2POS 3WAY,JIB**	1
		<i>Platform rotate/Jib boom select</i>	
--	89864	SEAL KIT,SOLENOID VALVE, SV07	
3	89863	COIL,10V DC,DEUTCH W/DIODE***.....	1
--	104759	COIL,12VDC #8 DTSCH IP69 ECOIL	
4	88786	MANIFOLD,JIB SELECT W/QD PLUG*	1
--	128419	SEAL KIT	
5	62506	VALVE - COUNTERBALANCE**.....	1
		<i>Platform rotate left</i>	
--	43018	SEAL KIT (39345)	
6	73807	MANIFOLD,ROTATOR,CB***.....	1
--	62507	O-RING, ROTATOR MANIFOLD	
7	62506	VALVE - COUNTERBALANCE**.....	1
		<i>Platform rotate right</i>	
--	43018	SEAL KIT (39345)	

405.1 Pumps



Item	Part No.	Description	Qty.
1	139799	PUMP,LIFT,1 SECTION.....	1
--	147550	KIT, SEAL, PUMP, 1 SECTION	
2	139801	PUMP,LIFT,2 SECTION***.....	1
--	147549	KIT, SEAL, PUMP, 2 SECTION	
3	77788	PUMP,PISTON,49CC***.....	1
--	101294	KIT,CHARGE PUMP	
--	106835	CONTROLLER W/O COILS (77788)	
--	106836	O-RING,STEM,EATON	
--	106837	NUT,STEM,EATON***	
--	107813	SPACER,EATON PUMP SHAFT SEAL** <i>check pump date code, for pumps after 031505</i>	
--	107814	SEAL,SHAFT,EATON PUMP***	
--	107815	SNAP RING,PUMP SHAFT SEAL***	
--	107842	KIT,PUMP SHAFT SEAL W/INST*** <i>includes PNs 107812, 107813, 107814, 107815</i>	
--	128423	KIT,CHARGE PUMP HOUSING	
--	43683	O-RING,2-042 N674-70***	
--	58431	SEAL KIT,PUMP SHAFT (EATON)*** <i>check pump date code, if after 031505, must also order 107813 qty 1</i>	
--	82431	HOSE ASM-JCAF310-06-41	
--	88957	COIL,DUAL,12V DEUT,49CC PUMP**	
4	33988	SCREW,SHC,3/8-16 X 1	
5	5397	WASHER,FLAT,USS,5/16",Y	
6	8177	SCREW,HHC,1/2-13 X 1.5	
7	13066	WASHER,FLAT,.5 HARDENED	
8	43683	O-RING,2-042 N674-70***	1

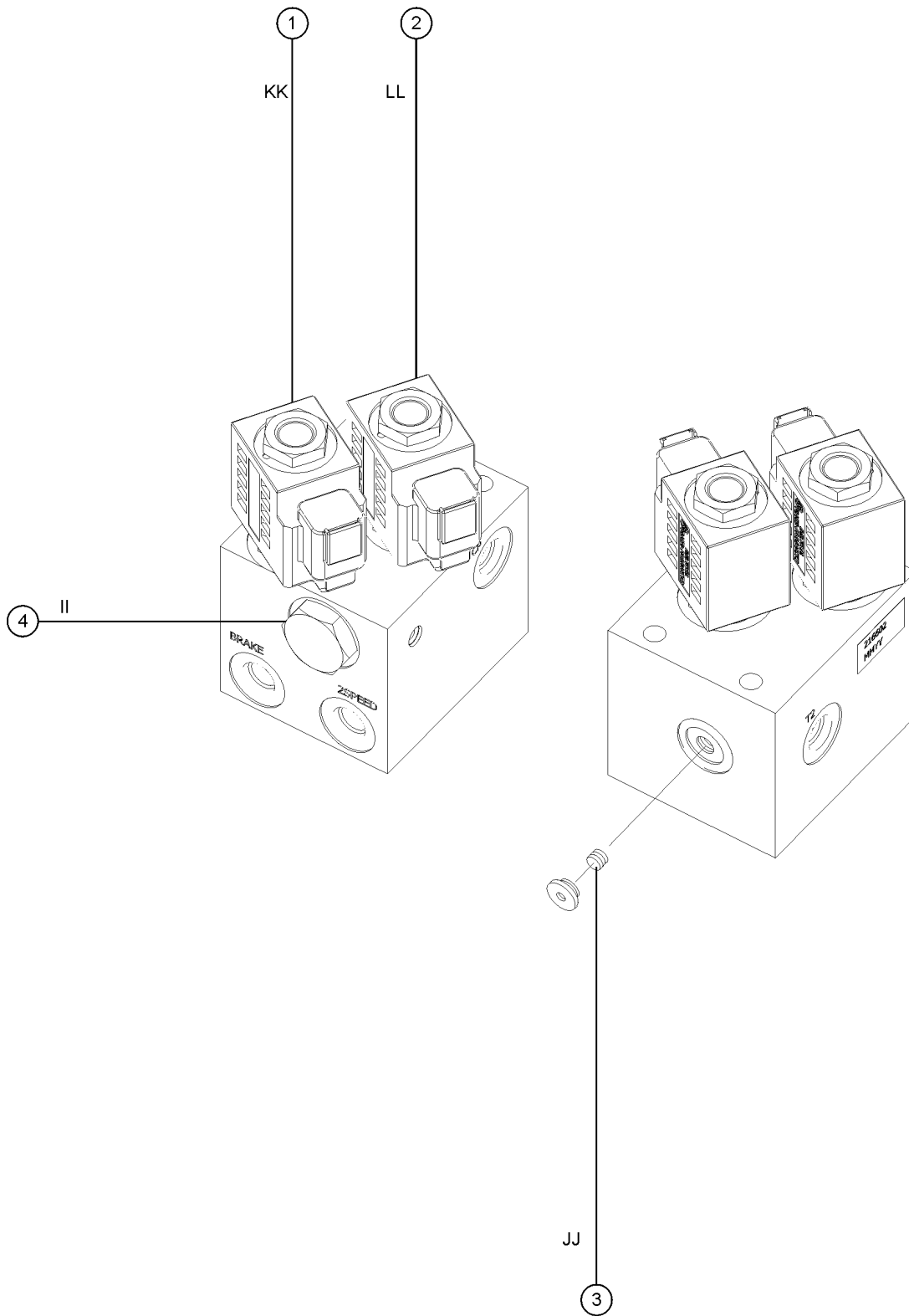
406.1 Brake and 2 Speed Manifold (to SN 25201)



406.1 Brake and 2 Speed Manifold (to SN 25201)

Item	Part No.	Description	Qty.
--	88785	MANIFOLD,BRAKE/2 SPD W/QD PLG*	
1	94764	ORIFICE,0.025".....1 <i>Turntable rotation brake release</i>	1
2	94760	VALVE-SOLENOID,10V,W/OUT COIL*.....1 <i>Brake release</i>	1
--	128419	SEAL KIT	
--	94759	NUT,SOLENOID	
--	94765	COIL-10V DC***	
3	94760	VALVE-SOLENOID,10V,W/OUT COIL*.....1 <i>Two-speed motor shift</i>	1
--	128419	SEAL KIT	
--	94759	NUT,SOLENOID	
--	94765	COIL-10V DC***	
4	94761	VALVE,CHECK.....1 <i>Brake release circuit</i>	1
--	128420	SEAL KIT	

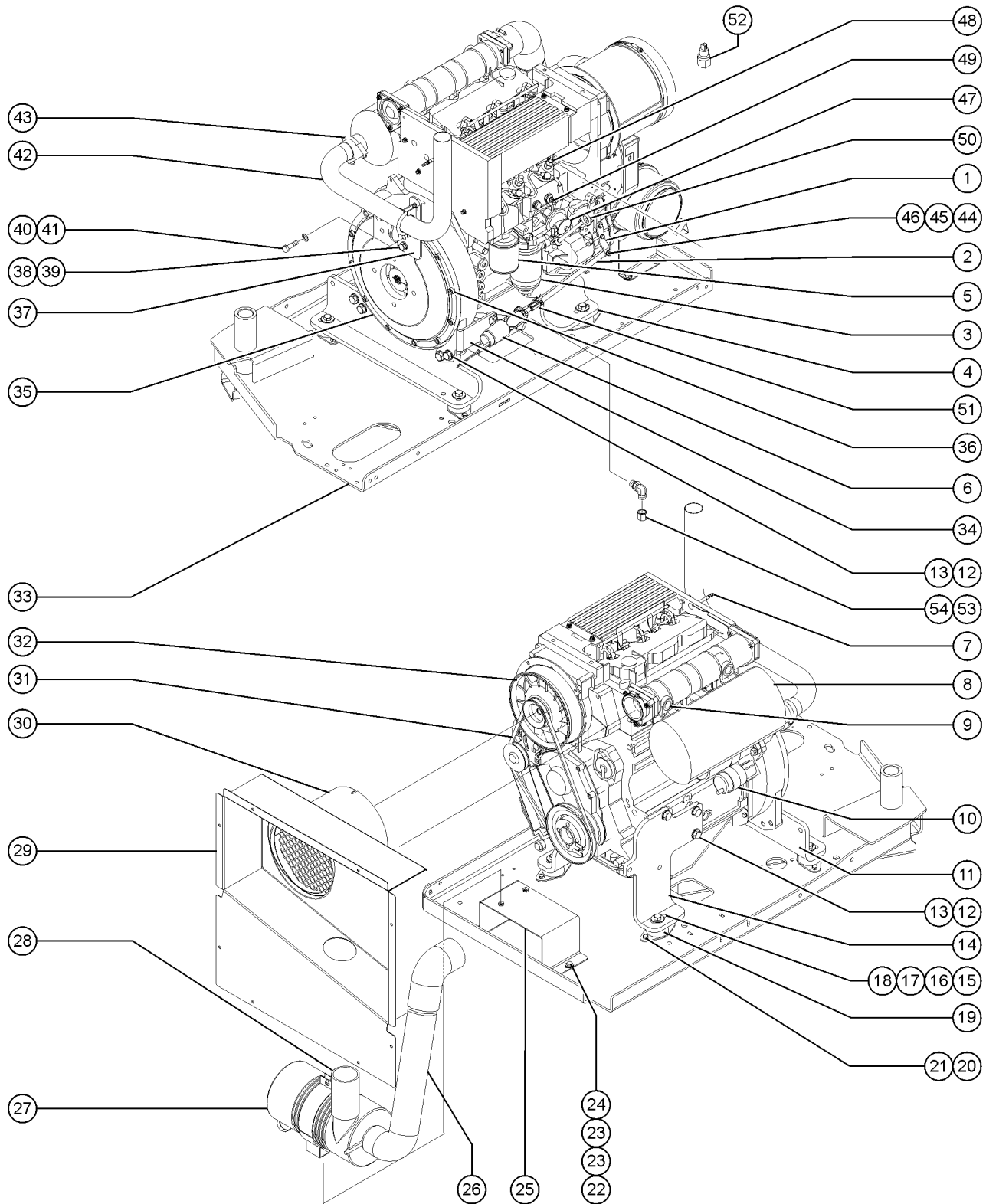
406.2 Brake and 2 Speed Manifold (from SN 25202)



406.2 Brake and 2 Speed Manifold (from SN 25202)

Item	Part No.	Description	Qty.
--	216602	MANIFOLD, BRAKE 2-SPEED.....1	
1	219243	COIL, SOLENOID VALVE, 10V.....1 <i>Brake Release</i>	
--	161144	SEAL KIT,SOLENOID VALVE 219247	
--	219243	COIL, SOLENOID VALVE, 10V	
--	94759	NUT,SOLENOID	
2	219247	VALVE, SOLENOID.....1 <i>Two Speed Motor Shift</i>	
--	161144	SEAL KIT,SOLENOID VALVE 219247	
--	219243	COIL, SOLENOID VALVE, 10V	
--	94759	NUT,SOLENOID	
3	219245	ORIFICE PLUG .025 DIA.....1 <i>Turntable Rotation Brake Release</i>	
4	219246	VALVE, CHECK.....1 <i>Brake Release Circuit</i>	
--	161145	SEAL KIT,CHECK VALVE 219246	

501.1 Deutz D2011L03i



501.1 Deutz D2011L03i

Item	Part No.	Description	Qty.	Item	Part No.	Description	Qty.
--	139622	HEAT SHIELD,DEUTZ STARTER		9	31408	GLOW PLUG,L1011.....	1
--	58274	ENGINE, DEUTZ D2011L03I (SERV) <i>F3L1011 AND F3L1011F Engines only</i>		10	139709	STARTER, 12V.....	1
--	70453	ENGINE KIT,DEUTZ D2011L03I <i>F3L2011 AND D2011L03I Engines only</i>		--	139621	KIT, HEAT GUARD, DEUTZ STARTER <i>(includes 139622 and 139623)</i>	
--	T114678	SHUTDOWN SOLENOID,12V, DEUTZ.....1 <i>(replaced 32752) (must order cable assembly, 58256, if replacing 32752) (does not include o-ring)</i>		--	139622	HEAT SHIELD,DEUTZ STARTER <i>(from SN 21069)</i>	
--	58256	SOLENOID CABLE ASSY***		--	139623	BOLT, GUARD, DEUTZ STARTER <i>(from SN 21069)</i>	
--	72255	CONNECTOR, DEUTZ FUEL SHUTOFF* <i>(does not include diode, 45782)</i>		11	70459P	FORMING,REAR ENGINE MOUNT PNT.....	1
--	45782	DIODE,6 AMP,200 PIV,BULK		12	22558	SCREW,HHC,M14 X 40MM,GR 8.8	
1	50787-S	LEVER, GOVERNOR ACTUATOR.....	1	13	49411	WASHER,FLAT,M14	
2	94485	THROTTLE LINKAGE,DIESEL***.....	1	14	70461P	FORMING,ENGINE MOUNT,FL PAINT.....	1
3	29560	FILTER,FUEL/WTR SEP, DTZ 1008.....1 <i>Genie Genuine Part. See PN 1254826 for compatible aftermarket replacement.</i>		15	10598	SCREW,HHC,1/2-13 X 3	
--	1254826	FUEL FILTER W/SEP,DEUTZ,1008 <i>Genie Aftermarket Part. Filter for Deutz F3L 1011F Engine.</i>		16	6095	WASHER,FLAT,USS,1/2",Y	
--	58566	FILTER HEAD (29560)		17	24040	WASHER,1/2 PLATE(1/2X2.25X3/16	
4	70460P	FORMING,ENGINE MOUNT,FR PAINT.....	1	18	6198	NUT,NYLOCK,1/2-13	
5	49924	FILTER,OIL,DEUTZ F4L1011F.....1 <i>Genie Genuine Part. See PN 1255653 for compatible aftermarket replacement.</i>		19	70452	ISOLATOR,ENGINE VIBRATION***.....	4
--	1255653	FILTER,OIL,DEUTZ,REPLACEMENT.1 <i>Genie Aftermarket Part. Compatible with Genie Genuine Part 49924.</i>		20	6175	SCREW,HHC,3/8-16 X 1	
6	77402	SOLENOID,THROTTLE ACTUATOR DSL.....	1	21	6097	WASHER,FLAT,USS,3/8",Y	
7	147525	FITTING,BARBED,STRT,FUEL LINE.....	1	22	13002	SCREW,HHC,5/16-18 X 1 GR5	
--	147526	FITTING,BARBED,TEE,FUEL LINE <i>(not shown)</i>		23	5397	WASHER,FLAT,USS,5/16",Y	
--	30490	HOSE,1/4 FUEL LINE,SAE 30R7.....127-inches		24	6782	NUT,NYLOCK,5/16-18	
8A	32695	MUFFLER,DEUTZ.....	1	25	70351P	FORMING,AIR CLEANER MOUNT PNTD.....	1
8B	119117	MUFFLER,CAT/SPARK,DEUTZ <i>spark arrest option</i>		26	70375	HOSE,AIR CLEANER.....	1
				27	63463	AIR CLEANER,NELSON***.....	1
				--	53952	BRKT,AIR CLEANER ORIENTATION**	
				--	62420	FILTER,AIR***	
				28	101006	TUBE,AIR CLEANER INLET.....	1
				--	30971	CLAMP,HOSE,3.00".....	2
				29	70494P	FORMING,DEUTZ AIR INTAKE BAF P.....	1
				30	101140P-S	AIR INTAKE TUBE ASSY.....	1
				--	31523	CLAMP,HOSE,8.50 DIA***	
				--	33239	SHEET,RUBBER,AIR INTAKE	
				31	32698	BELT,V, DEUTZ DIESEL ENGINE....	1
				32	35586	ALTERNATOR, DEUTZ F3L10/F4L10*.....	1

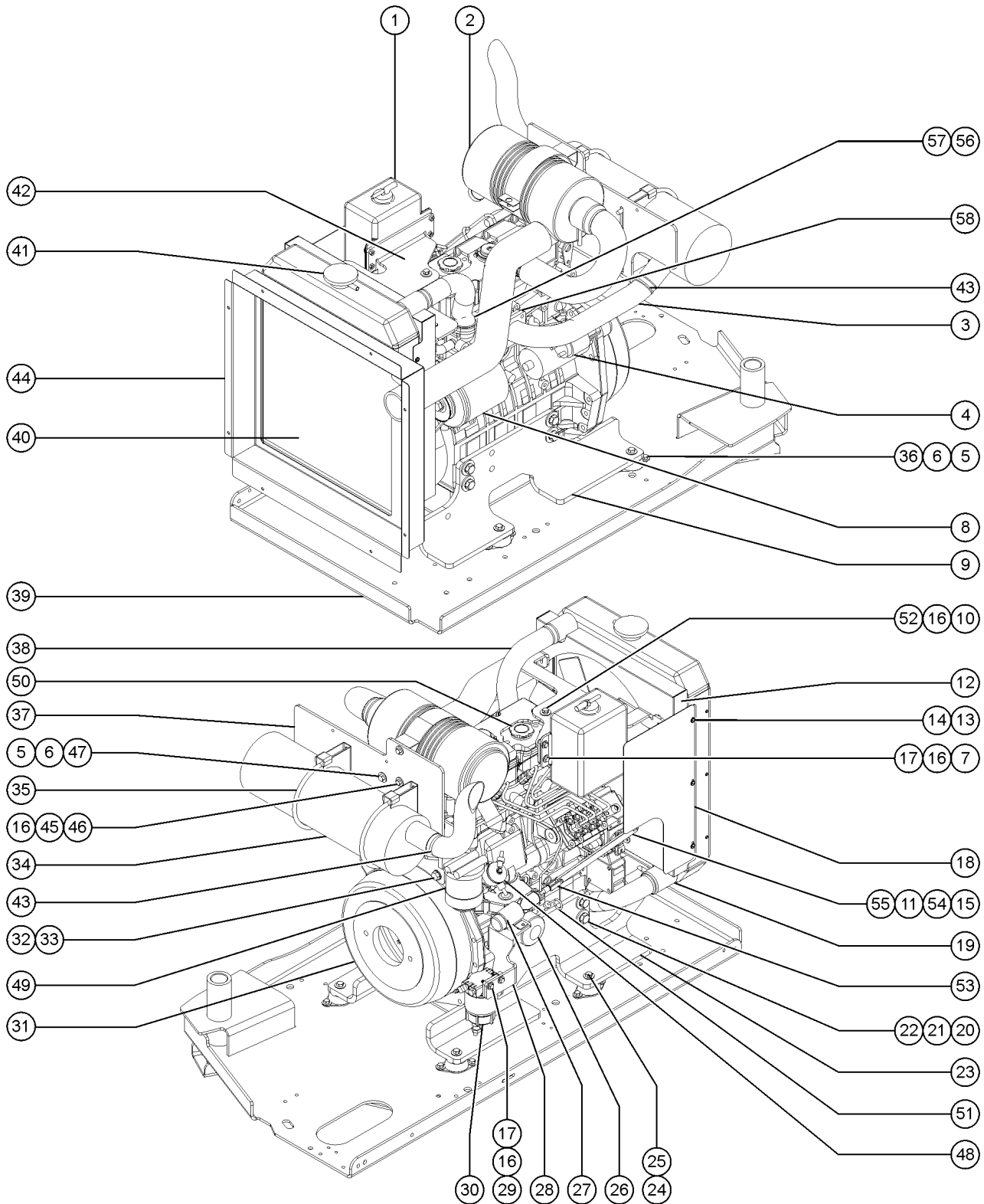


501.1 Deutz D2011L03i
(continued)

Item	Part No.	Description	Qty.
33	101540	ENGINE TRAY ASSY W/BEARINGS.....	1
--	35675	BEARING,FL,1.25IDX1.5ODX1.25L.1	
34	101129P	BRACKET,SOLENOID MOUNT PAINT.....	1
--	77245P	BRACKET,SOLEN.MOUNT BRACE,PNTD..... <i>(not shown) (very small)</i>	1
35	70381	COVER,FLYWHEEL CASTING.....	1
--	128023	KIT,FBA STYLE COUPLER,SAE8	
36	44064	SCREW,HHC,M10 X 30MM,	
37	70472P	FORMING,SOLENOID MOUNT PAINT.....	1
38	10597	SCREW,HHC,1/2-13 X 1.25 GR5	
39	6033	WASHER,LOCK,0.5"	
40	85053	SCREW,HHC,M10 X 1.5 X70,GR 8.8.....	2
41	22699	WASHER,FLAT,M10,ZINC PLTD.	
42	70499	EXHAUST PIPE,DEUTZ.....	1
43	70385	CLAMP,EXHAUST,2.00 PLATED....	2
44	6584	SCREW,SHS,10-24 X .625	
45	85054	WASHER,FLAT,M10	
46	25625	NUT,HEX,10-24	
47	102497	PUMP,FUEL F3L 2011F DEUTZ....	1
--	119344	KIT,PRIMER BULB	
--	27089	HOSE,5/16 FUEL,SAE 30R7.....	116-inches
48	89792	INJECTOR, FUEL(DEUTZ F3L2011F).....	2
49	139624	SWITCH, OIL PRESSURE 1.5 BAR.....	1
--	139666	KIT,OP SWITCH,DEUTZ <i>(oil pressure kit for models with ALC-500 control system. replaces 65765. includes item 139624 and instructions)</i>	
50	147243	DIPSTICK,OIL,D2011.....	1
51	21130	CLEVIS YOKE-1/4-28,PLTD W/PIN.....	1
52	111445	SENDING UNIT,OIL TEMP SWCH,DTZ.....	1
53	54428	FITTING,HYDRAULIC,90DEG,O-RING.1	
54	69775	CAP,520112-8.....	1

This Page Intentionally Left Blank

502.1 Perkins 404-22



502.1 Perkins 404-22

Item	Part No.	Description	Qty.	Item	Part No.	Description	Qty.
A	128831	ENGINE,PERKINS,DIESEL 404D-22 <i>Tier III Engine</i>		--	88846	HOSE,AIR INLET	
B	139072	KIT,PERKINS T2 ENGINE REPLCMNT <i>Tier II Engine Conversion for first time replacement; to SN 19606</i>		--	88847	HOSE,AIR CLEANER TO INTAKE	
C	128987	WATER PUMP <i>(for 70253 engine)</i>		3	110899	WELDMNT,EXHAUST PIPE.....1	
--	58354	GASKET,WATER PUMP <i>(for 70253 engine)</i>		--	62845	NUT-FLANGE, 8MM (62849)	
D	77478	THERMOSTAT (PERKINS 104-22) <i>(for 70253 engine)</i>		--	72343	GASKET,EXH FLANGE-PERKINS54555	
--	147355	GASKET-THERMOSTAT HSG <i>(for 70253 engine)</i>		--	72344	BOLT,EXHAUST,PERKINS(54555)	
E	236426	SOLENOID KIT,SHUT DN,PERKINS <i>(for 70253 engine)</i>		--	94888	EXHAUST MANIFOLD	
F	119809	SWITCH, OIL PRESSURE <i>(approx. 2.5-inches; pin connector)</i>		4	228457	STARTER, PERKINS, 404D.....1	
G	111027	SWITCH,OIL PRESS-PERKINS 404 <i>(approx. 1.75-inches; spade connector)</i>		5	6175	SCREW,HHC,3/8-16 X 1	
H	111028	SWITCH,WATER TEMP,PRKNS,404*** <i>(for 70253 engine)</i>		6	5397	WASHER,FLAT,USS,5/16",Y	
I	147350	GASKET-CYLINDER HEAD <i>(for 70253 engine)</i>		7	6888	SCREW,HHC,1/4-20 X 1	
J	85155	PUMP,PRIMER,PERKINS*** <i>(for 70253 engine)</i>		8	111029	ALTERNATOR,65 AMP,PERKINS 404.....1	
K	147348	SEAL-VALVE SYSTEM (A) <i>(for 70253 engine)</i>		9	88987P	FORMING,ENGINE MOUNT,LH PAINTE.....1	
L	147349	SEAL-VALVE SYSTEM (B) <i>(for 70253 engine)</i>		10	23057	SCREW,HHC,M8 X 20MM	
M	147351	SEAL-ROCKER BOX <i>(for 70253 engine)</i>		11	33277	WASHER,FLAT,M8,YELLOW ZINC	
N	147352	SEAL-INJECTOR <i>(for 70253 engine)</i>		12	88990P	SHROUD,FAN PAINTED.....1	
O	147353	SEAL-INJECTOR <i>(for 70253 engine)</i>		13	21019	SCREW,PHIL,PHM,10-24 X.5,SEMS	
1	70367	BOTTLE,COOLANT RECOVERY,3.7***1		14	6146	WASHER,FLAT,MS,#10,Y	
--	106226-4000	TUBING, VINYL, 1/2" CLEAR		15	89953	FLATBAR,ALUM,THROTTLE LINKAGE.....1	
--	115431	CAP ASSY,COOLANT BOTTLE***		16	6638	WASHER,FLAT,USS,1/4"Y	
2	63463	AIR CLEANER,NELSON***1		17	6091	NUT,NYLOCK,1/4-20	
--	53952	BRKT,AIR CLEANER ORIENTATION**		18	54487P	GUARD,FAN,FORD/PERKINS,PAINTED.1	
--	62420	FILTER,AIR***		19	54579	HOSE,LOWER,RADIATOR,PERKINS.1	
				--	22672	CLAMP,HOSE,1.75	
				20	54687	SCREW,HHC,M14 X 1.5X40MM,GR8.8	
				21	37505	WASHER,LOCK,M14	
				22	49411	WASHER,FLAT,M14	
				23	88988P	FORMING,ENGINE MOUNT RH PAINTE.....1	
				24	10598	SCREW,HHC,1/2-13 X 3	
				25	6095	WASHER,FLAT,USS,1/2",Y	
				26	94762	OIL FILTER - PERKINS.....1	
				27	77402	SOLENOID,THROTTLE ACTUATOR DSL.....1	
				--	21130	CLEVIS YOKE-1/4-28,PLTD W/PIN	
				--	89953	FLATBAR,ALUM,THROTTLE LINKAGE	

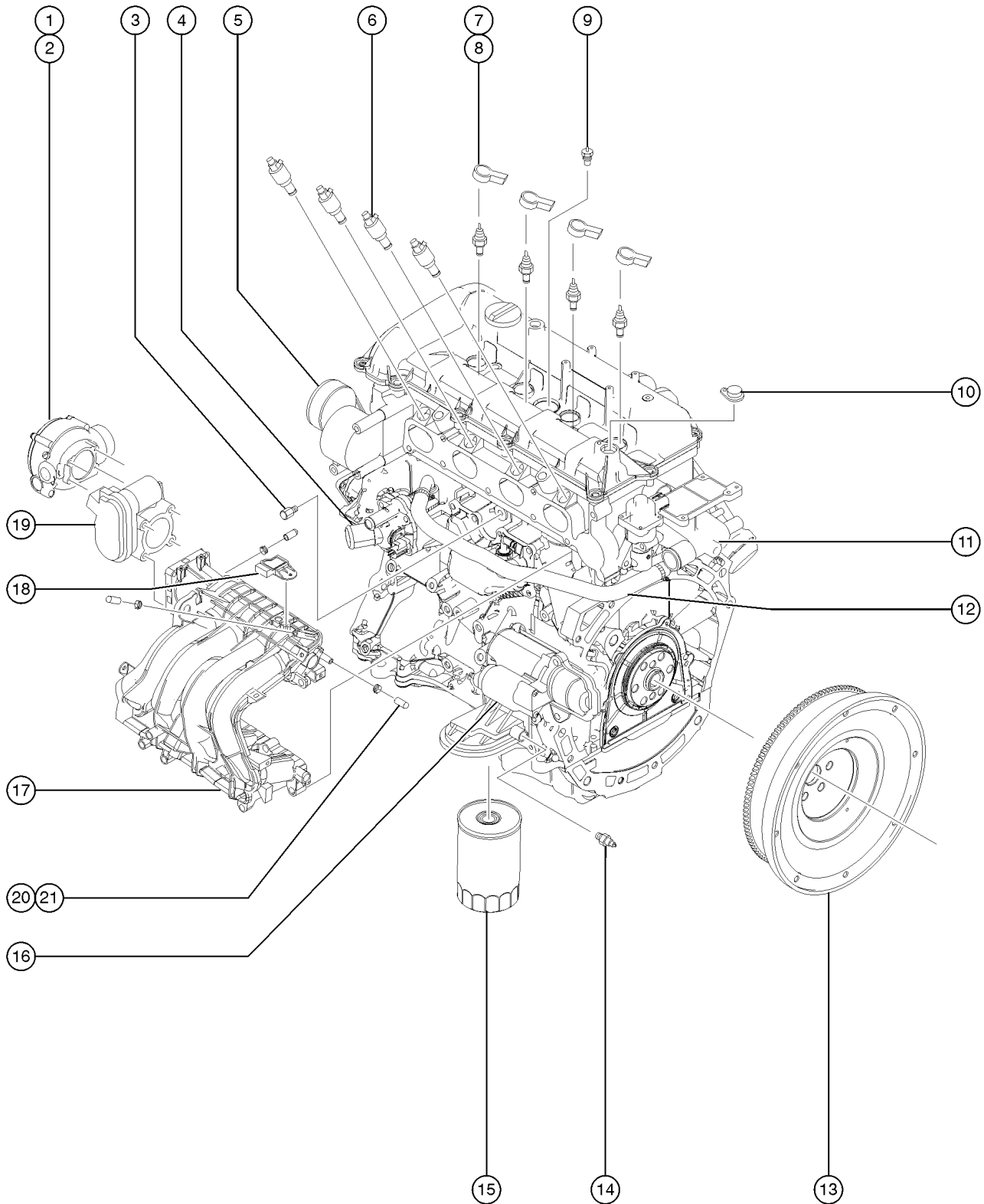


502.1 Perkins 404-22
(continued)

Item	Part No.	Description	Qty.	Item	Part No.	Description	Qty.
28	128588	FORMING,SOLENOID MOUNT.....1 <i>from SN 1960</i>		42	88989P	FORMING,UPPER RAD SUPPORT PAIN.....1	
29	8915	SCREW,HHC,1/4-20 X 1.25		43	70385	CLAMP,EXHAUST,2.00 PLATED.....2	
30	147826	SEPRTR/FLTR,FUEL DSL,15GPH,.30.....1 <i>(replaced 75020, the filter is the same for both assemblies)</i>		44	106003P	BAFFLE,PERKINS ENGINE PAINTED.....1	
--	54205	HOSE END,BARB,1/4 MNPTX5/16,90 <i>(included with filter assembly)</i>		45	6782	NUT,NYLOCK,5/16-18	
--	54437	HOSE END,BARB,1/4 MNPTX5/16,ST <i>(included with filter assembly)</i>		46	13002	SCREW,HHC,5/16-18 X 1 GR5	
--	62433	FILTER,ELEMENT,30 MIC,75020		47	7713	NUT,LP NYLOCK,3/8-16	
31	89771	HOUSING,PUMP MOUNT (54573).....1		48	128989	LIFT PUMP (FUEL).....1	
--	128003	COUPLER,15 TOOTH,FBA,PERKINS**.....1		--	77990	KIT,SEAL,3CC PUMP***	
--	128022	KIT,FBA STYLE COUPLER,PERKINS <i>(replaced 54573) (includes 128003, 128024 (6 qty) and 128025)</i>		49	94889	FUEL FILTER ASSEMBLY.....1	
--	128024	SCREW, HHC, M8 X 1.25 X 12.....6		--	62421	FILTER,FUEL,PERKINS	
--	128025	GREASE,SERVICE PACKET.....1		50	65636	CAP, OIL FILLER.....1	
32	60868	SCREW,HHC,M12 X 45		--	65638	SEAL, OIL FILLER CAP	
33	49410	WASHER,FLAT,M12		51	128984	DIPSTICK, STRAIGHT SHORT.....1	
34	88841	MUFFLER,6".....1		52	60585	ISOLATOR,VIBRATION,M8 MALE/FEM.....1	
--	106048	TAILPIPE,MUFFLER,2.00"DIA.....1		53	21130	CLEVIS YOKE-1/4-28,PLTD W/PIN.....1	
--	70298	MUFFLER,SPARK ARRESTOR <i>spark arrestor option</i>		54	119866	SCREW,SHS,M6X12MM,8MM	
--	70357	MUFFLER,CATALYTIC <i>scrubber muffler option</i>		55	49364	NUT,NYLOCK,M6X1.00	
35	88993	CLAMP,MUFFLER.....2		56	128986	WATER OUTLET, VERTICAL.....1	
36	4828	NUT,NYLOCK,3/8-16		57	128991	THERMOSTAT.....1	
37	88991P	FORMING,MUFFLER MOUNT PAINTED.....1		58	72343	GASKET,EXH FLANGE-PERKINS54555.....1	
38	54578	HOSE,UPPER RADIATOR,PERKINS.....1					
--	22672	CLAMP,HOSE,1.75					
39		Ref. Engine Tray Assembly <i>(refer to 304.1)</i>					
40	110304	RADIATOR,FORD/PERKINS***1					
--	24038	SHOCK MOUNT,SMALL					
--	77483	FAN, ENGINE (104-22)(404-22)					
--	94886	FAN SPACER					
41	65473	CAP,RADIATOR,PERKINS/FORD....1					

This Page Intentionally Left Blank

503.1 Ford DSG-423 Engine - View 1 (to SN 24508)

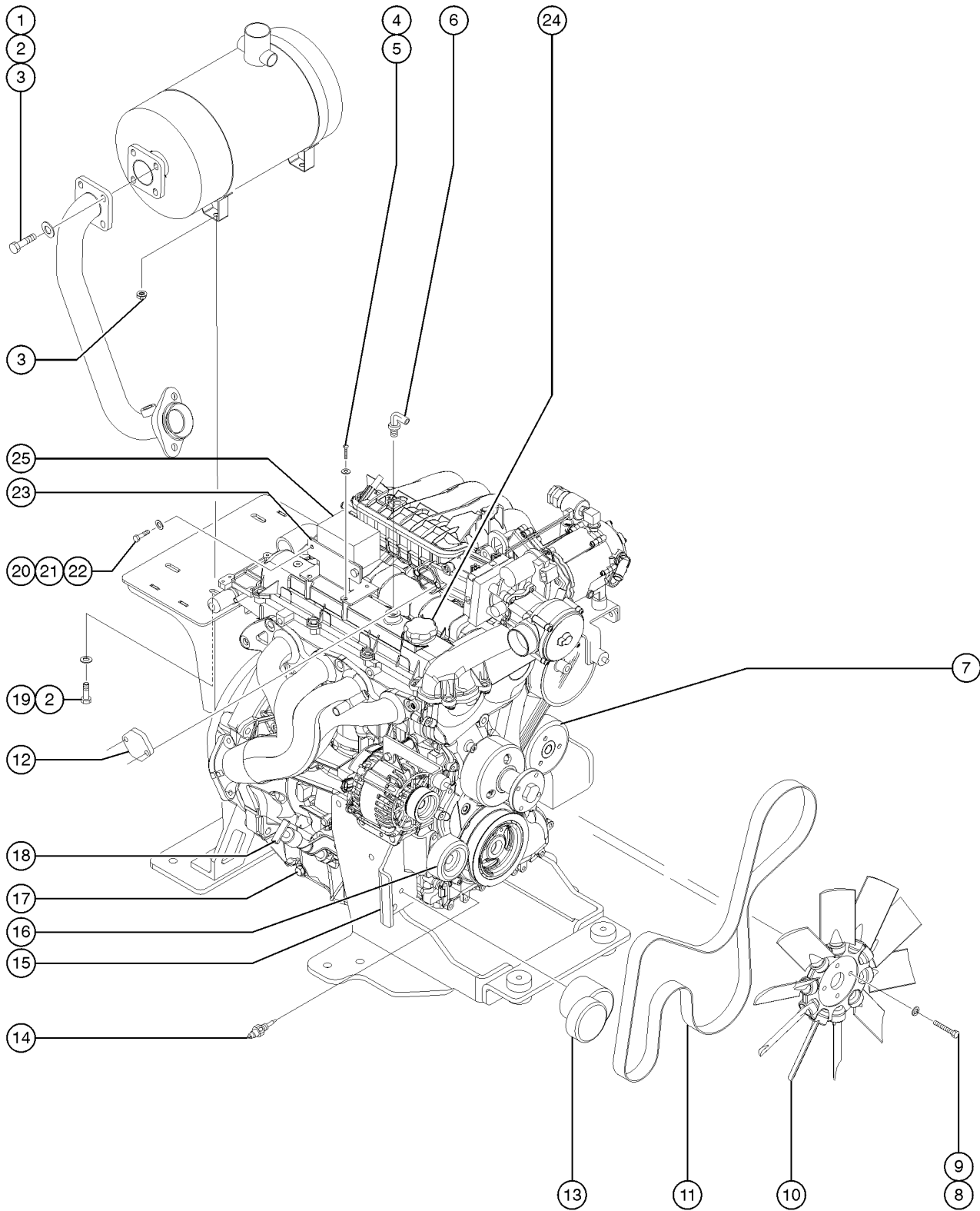


503.1 Ford DSG-423 Engine - View 1 (to SN 24508)

Item	Part No.	Description	Qty.	Item	Part No.	Description	Qty.
--		<i>The Ford DSG-423 is not available for the S-60TX and the S-65TX</i>		--	214798	HOSE, COOLANT BYPASS, DSG423.....1 <i>Previous hose bypass 139870 is no longer available. Order kit 214803 for first time replacement (kit includes water outlet 214796 and hose bypass 214798)</i>	1
--	119472	HARNESS,ENGINE FORD DSG-423		12	214803	KIT, DSG423 COOLANT OUTLET...1 <i>Required for first time replacement of older hose 139780 (kit includes water outlet 214796 and hose bypass 214798)</i>	1
--	128165	RELAY,PWR/FUEL,FORD DSG423		13	119465	FLYWHEEL ASSEMBLY,DSG-423 FORD.....1	1
--	128166	RELAY,STARTER,FORD DSG423		14	119481	SWITCH,OIL PRESSURE.....1	1
1	119135	MIXER,LPG,DSG-423.....1	1	15	119139	OIL FILTER,DSG-423.....1	1
--	119500	GASKET,MIXER, FORD DSG423		16	119137	STARTER,DSG-423.....1	1
--	119547	O-RING,MIXER,SMOOTHED,DSG-423		--		Ref. Harness, Ford Starter (refer to 307.1) <i>Ford models (from serial number 21009)</i>	
--	119548	O-RING,MIXER,RIBBED,DSG-423		17	119545	MANIFOLD,INTAKE FORD DSG-423.....1	1
2	119142	ADAPTER,MIXER/THROTTLE BODY.....1	1	--	147016	CAP,EPDM,5/16".....2	2
--	119466	GASKET,ACTUATOR PLATE		18	119475	MAP SENSOR, DSG-423.....1	1
3	119498	SENSOR,KNOCK DSG-423 FORD.....1	1	19	119960	THROTTLE,ELECT,FORD DSG423.....1	1
4	119551	THERMOSTAT,FORD DSG423.....1	1	--	88452	GASKET,THROTTLE ACTUATOR***	
5	119476	PULLEY,UPPER IDLER.....1	1	20	147016	CAP,EPDM,5/16".....3	3
6	119479	FUEL INJECTOR FORD DSG423,YL.....4 <i>yellow injector</i>	4	21	119568	CLAMP,SPRING,1/2".....3	3
--	233365	FUEL INJECTOR FORD DSG423, BK <i>black injector</i>					
7	119478	COIL ASSEMBLY.....4	4				
8	119495	SPARK PLUG, FORD DSG-423.....4	4				
9	234005	SENSOR KIT, TEMPERATURE.....1 <i>Required for first time replacement of older temperature sensor part 119480 (kit includes sensor part 233437 and wire harness part 234006); to SN 21072</i>	1				
--	233437	SENSOR, FORD TEMPERATURE <i>from SN 21073</i>					
--	234006	WIRE HARNESS, SENSOR, TEMP <i>from SN 21073</i>					
10	119497	SENSOR,CAM POSITION DSG-423.....1	1				
11	214803	KIT, DSG423 COOLANT OUTLET...1 <i>Required for first time replacement of older adapter 119461 (kit includes water outlet 214796 and hose bypass 214798)</i>	1				
--	214796	WATER OUTLET, FORD DSG423.....1 <i>Previous adapter 119461 is no longer available. Order kit 214803 for first time replacement (kit includes water outlet 214796 and hose bypass 214798)</i>	1				



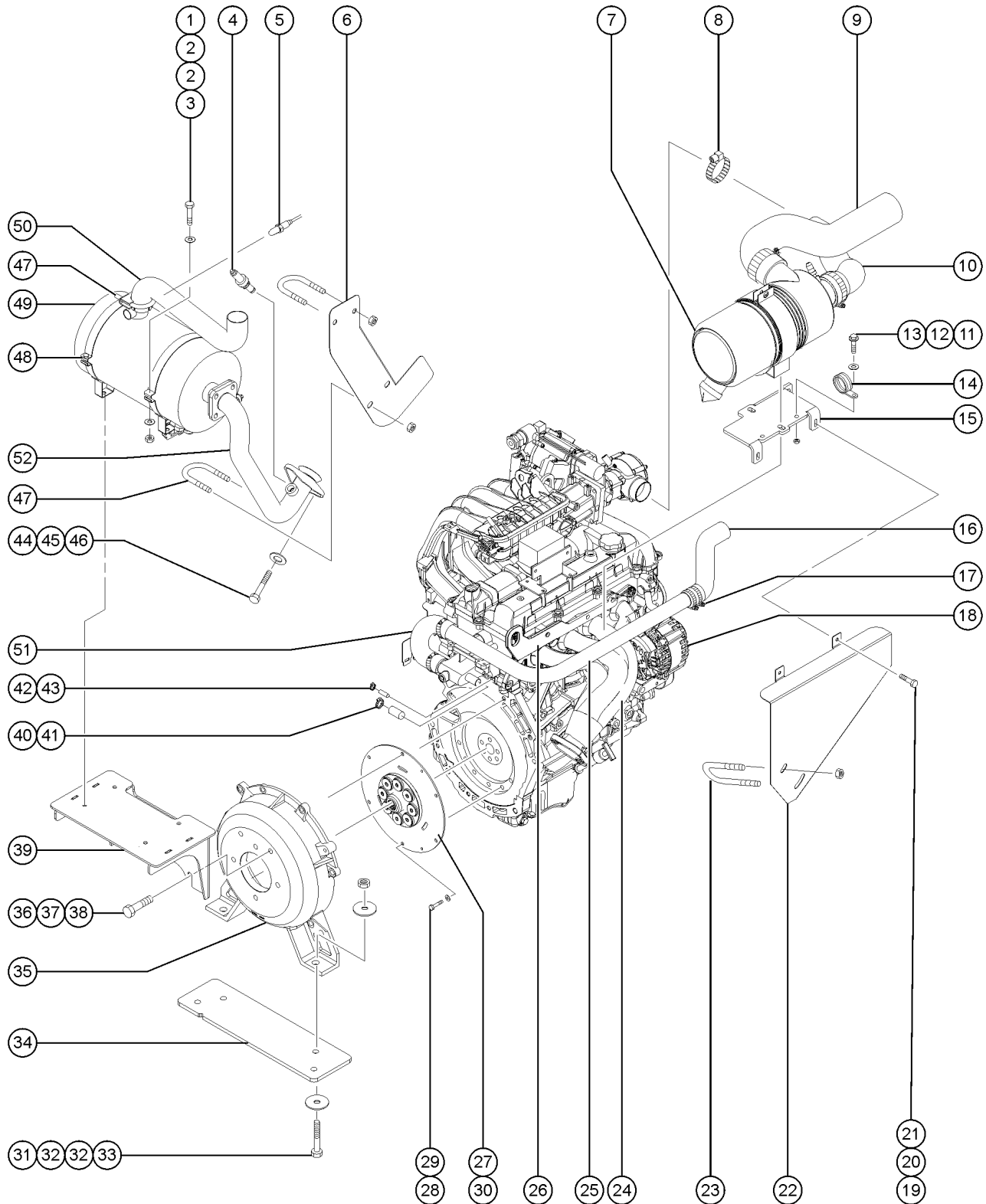
504.1 Ford DSG-423 Engine - View 2 (to SN 24508)



504.1 Ford DSG-423 Engine - View 2 (to SN 24508)

Item	Part No.	Description	Qty.
--		<i>The Ford DSG-423 is not available for the S-60TX and the S-65TX</i>	
1	13000	SCREW,HHC,5/16-18 X 1.25	
2	5397	WASHER,FLAT,USS,5/16",Y	
3	18503	NUT,LOCKING-LG.FLANGE,5/16-18	
4	54365	SCREW,PHIL,PHM,10-32 X .5,SSTL	
5	25926	WASHER,FLAT,M6 PLTD.	
6	119474	VALVE,PCV FORD DSG-423.....	1
--	75631	HOSE,AIR 3/8	
7	119468	WATER PUMP, W/PULLEY.....	1
8	32309	SCREW,HHC,M8 X 60MM X 1.25	
9	49408	WASHER,LOCK,M8	
10	119153	FAN (FORD TIER 3).....	1
11	119138	BELT,SERPENTINE,DSG-423.....	1
12	119964	PLATE,BLANKING,FORD DSG423.....	1
13	119469	PULLEY AND TENSIONER,DSG423.....	1
14	119496	SENSOR,CRANK POSITION DSG-423.....	1
15	119471	BRACKET,TENSIONER.....	1
16	119544	LOWER IDLER FORD DSG-423.....	1
17	119588	OIL DRAIN PLUG,FORD DSG423...1	
18	119473	DIPSTICK, FORD DSG 423.....	1
19	13002	SCREW,HHC,5/16-18 X 1 GR5	
20	6090	SCREW,HHC,1/4-20 X .75	
21	6638	WASHER,FLAT,USS,1/4"Y	
22	6091	NUT,NYLOCK,1/4-20	
23	110768	BRACKET,RELAY BLOCK MOUNT.....	1
24	58632	CAP,OIL FILLER,FORD DSG 423....1	
25A	237856	FUSE BOX COVER..... <i>decal not included</i>	1
25B	237857	FUSE BOX RELAY STICKER..... <i>(not shown) not included with 237856, order seperately</i>	1
25C	237858	FUSE BOX MOUNTING,LEFT..... <i>(not shown) not included with 237856, order seperately</i>	1
25D	237859	FUSE BOX MOUNTING,RIGHT..... <i>(not shown) not included with 237856, order seperately</i>	1

505.1 Ford DSG-423 Engine - View 3 (to SN 24508)

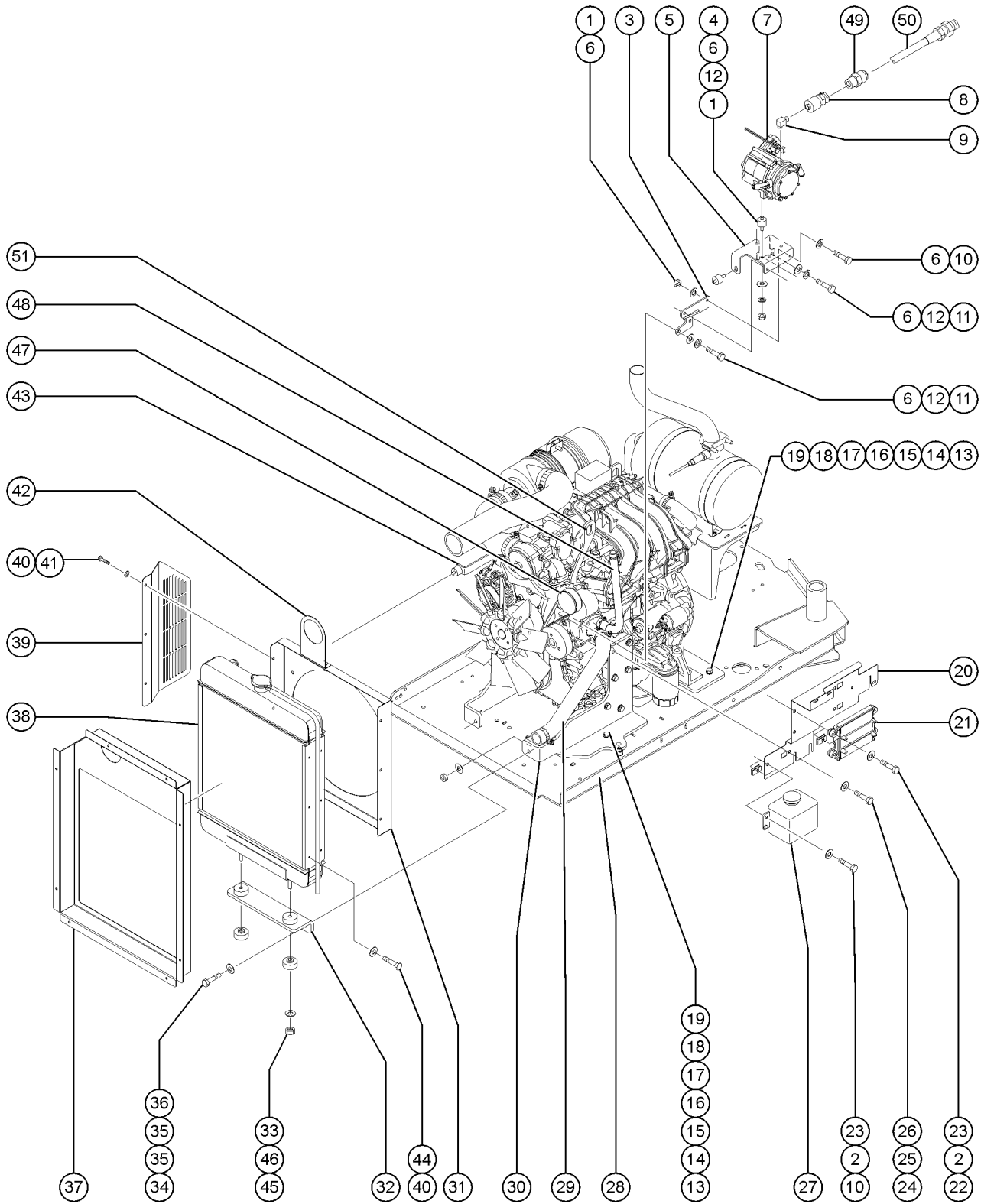


505.1 Ford DSG-423 Engine - View 3 (to SN 24508)

Item	Part No.	Description	Qty.	Item	Part No.	Description	Qty.
--		<i>The Ford DSG-423 is not available for the S-60TX and the S-65TX</i>		29	6021	WASHER,LOCK,,375	
1	14033	SCREW,HHC,3/8-16 X 2.75		30	128002	COUPLER,15 TOOTH,FBA,FORD***1	
2	22692	WASHER,WAVE SPRG,1X.635X.015		31	6096	SCREW,HHC,1/2-13 X 2 GR5	
3	4828	NUT,NYLOCK,3/8-16		32	6095	WASHER,FLAT,USS,1/2",Y	
4	88450	SENSOR,OXYGEN LRG425EFI.....1		33	6198	NUT,NYLOCK,1/2-13	
5	139610	SENSOR,AIR,CAT MONITOR.....1		34	119223	PLATE,REAR ENGINE SUPPORT.....1	
6	119238	FORMING,HEAT SHIELD.....1		35	119052	PUMP MOUNT,FORD DSG423.....1	
7	111634	AIR CLEANER,FORD,T3.....1		36	10597	SCREW,HHC,1/2-13 X 1.25 GR5	
--	227988	VACUATOR VALVE		37	13066	WASHER,FLAT,.5 HARDENED	
--	53952	BRKT,AIR CLEANER ORIENTATION** <i>sold separately</i>		38	6033	WASHER,LOCK,0.5"	
--	77295	FILTER ELEMENT,AIR,NOLFF LPG		39	110480	WELDMENT,CAT MOUNT.....1	
8	45435	CLAMP,HOSE,2.50****2		40	119484	CAP,COOLANT 3/4.....1	
9	110421	HOSE,AIR INTAKE.....1		41	46131	CLAMP,HOSE,.63.....1	
--	45435	CLAMP,HOSE,2.50****		42	147016	CAP,EPDM,5/16".....1	
10	110422	HOSE,AIR,MIXER.....1		43	147015	CLAMP,SPRING,7/16".....1	
11	13000	SCREW,HHC,5/16-18 X 1.25.....1		44	25548	SCREW,HHC,M10 X 40MM,GRD8	
12	5397	WASHER,FLAT,USS,5/16",Y		45	22699	WASHER,FLAT,M10,ZINC PLTD.	
13	18503	NUT,LOCKING-LG.FLANGE,5/16-18		46	22700	WASHER,LOCK,M10	
14	45454	CLAMP,RUB CUSH,0.75,#12 X 3/8*3		47	102121	CLAMP,MUFFLER,1-7/8 IN.....3	
15	111614	FORMING,AIR CLEANER MOUNT.....1		48	119051	MOUNTING BAND,MUFFLER,8.0".....2	
16	110758	HOSE,UPPER RADIATOR.....1		49	111666	WELDMENT,MUFFLER,DSG423.....1	
17	119053	CLAMP,HOSE,1.50.....2		50	119234	TAILPIPE,FORD DSG423.....1	
18	119140	ALTERNATOR,DSG-423.....1		51	110424	HOSE,RETURN,ENGINE.....1	
18A	227309	HEAT SHIELD,ALTERNATOR,FORD		52	110407	WELDMENT,HEADER PIPE.....1	
19	6888	SCREW,HHC,1/4-20 X 1		--	72343	GASKET,EXH FLANGE-PERKINS54555	
20	6638	WASHER,FLAT,USS,1/4"Y					
21	6091	NUT,NYLOCK,1/4-20					
22	111615	FORMING,HEAT SHLD,HEADER PIPE.....1					
23	71911	CLAMP,MUFFLER, 2.50 INCH.....1					
24	119463	MANIFOLD,EXHAUST TURBO.....1					
25	112285	PIPE,COOLANT RETURN,FORD 2.3L.....1					
26	110777	PLATE,REAR LIFTING EYE.....1					
27	128021	KIT,FBA STYLE COUPLER,FORD.....1					
28	49378	SCREW,HHC,M8 X 16					



506.1 Ford DSG-423 Engine - View 4 (to SN 24508)

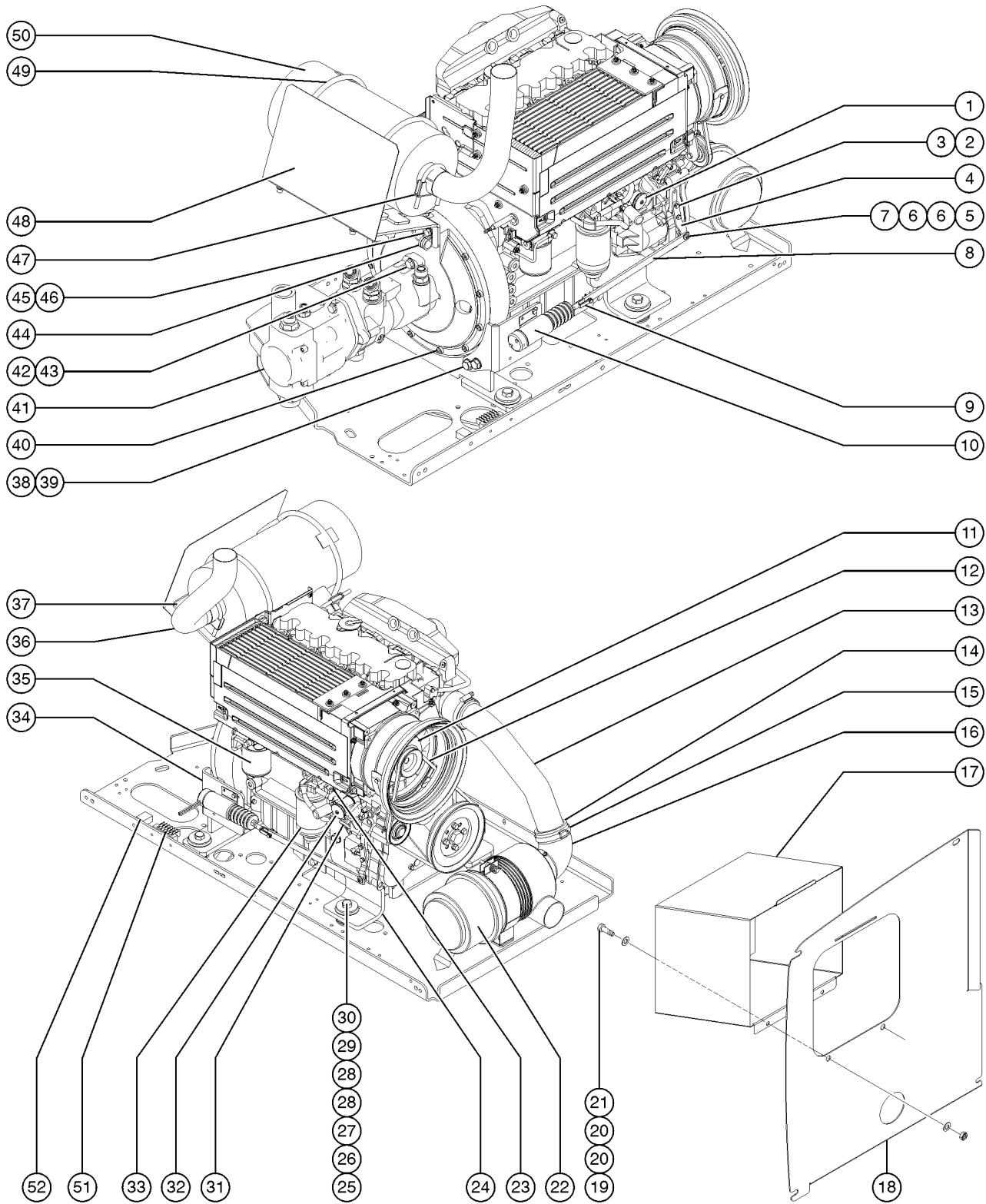


506.1 Ford DSG-423 Engine - View 4 (to SN 24508)

Item	Part No.	Description	Qty.	Item	Part No.	Description	Qty.
--		<i>The Ford DSG-423 is not available for the S-60TX and the S-65TX</i>		--	106226-4000	TUBING, VINYL, 1/2" CLEAR	
1	25368	NUT,NYLOCK,M8X1.25		--	115431	CAP ASSY,COOLANT BOTTLE***	
2	6638	WASHER,FLAT,USS,1/4"Y		--	21465	CLAMP,HOSE,SIZE .25 TO .63	
3	110892P	BRACKET,REGULATOR SUPPORT,PNTD.....1	1	28	101540	ENGINE TRAY ASSY W/BEARINGS.....1	1
4	110919	ISOLATOR,VIBRATION,M8 M/M....4	4	--	35675	BEARING,FL,1.25IDX1.5ODX1.25L	
5	110890P	FORMING,REGULATOR MOUNT,PTD.....1	1	29	110423	HOSE,LOWER RADIATOR.....1	1
6	33277	WASHER,FLAT,M8,YELLOW ZINC		--	119053	CLAMP,HOSE,1.50.....2	2
7	119826	REGULATOR,LPG,DSG-423.....1	1	30	110416	FORMING,LEFT ENGINE SUPPORT.....1	1
--	119546	KIT,FITTING,REGULATOR DSG-423		--	110414	FORMING,RIGHT ENGINE SUPPORT	
7A	102119	HOSE,3/4,LP.....8-inches from regulator to mixer	8	31	110413	FORMING,FAN SHROUD.....1	1
8	119232	LOCKOFF,LP,FORD DSG-423.....1	1	32	110417	FORMING,RADIATOR SUPPORT**.....1	1
9	19363	ELBOW,130239-4-4.....1	1	33	24038	SHOCK MOUNT,SMALL.....4	4
10	75159	SCREW,HHC,M8X1.25X 25MM,GR8.8		34	8516	SCREW,HHC,3/8-16 X 1.50,GR5	
11	49386	SCREW,HHC,M8 X 40		35	6097	WASHER,FLAT,USS,3/8",Y	
12	49408	WASHER,LOCK,M8		36	4828	NUT,NYLOCK,3/8-16	
13	10598	SCREW,HHC,1/2-13 X 3		37	110997	BAFFLE,RADIATOR,FORD.....1	1
14	6095	WASHER,FLAT,USS,1/2",Y		38	110406	RADIATOR,FORD DSG423.....1	1
15	70452	ISOLATOR,ENGINE VIBRATION***.....4	4	--	131589	HOSE,OVERFLOW,RADIATOR.....1	1
16	101730	SPACER,ENGINE MOUNT.....4	4	39	111341	FORD TIII FAN GUARD W/DECALS.....1	1
17	101729	WASHER,VIBRATION ISOLATING.....4	4	40	21019	SCREW,PHIL,PHM,10-24 X.5,SEMS	
18	24040	WASHER,1/2 PLATE(1/2X2.25X3/16		41	6146	WASHER,FLAT,MS,#10,Y	
19	6198	NUT,NYLOCK,1/2-13		42	110995	GUIDE,HOSE,FORD.....1	1
20	112283	FORMING,FORD GCP MOUNT.....1	1	43	110419	FORMING,RADIATOR BRACE LEFT.....1	1
21A	119169	CONTROL MODULE,DSG-423.....1 to SN 21072 (models with YELLOW fuel injectors)	1	--	18503	NUT,LOCKING-LG.FLANGE,5/16-18	
21B	T112018	CONTROL MODULE,DSG-423 from SN 21073 (models with BLACK fuel injectors)		--	48498	ISOLATOR,AIR FILTER MOUNT	
22	6145	SCREW,HHC,1/4-20 X 1.5		44	25926	WASHER,FLAT,M6 PLTD.	
23	56912	SPRING CLIP,1/4-20,.025-.15X.5		45	48425	NUT,LOCKING-LRG.FLANGE,3/8-16	
24	25927	SCREW,HHC,M10 X 55MM,GRD 8.8		46	15086	WASHER,FLAT,.375 X 1.5 X .125	
25	22700	WASHER,LOCK,M10		47	119476	PULLEY,UPPER IDLER	
26	22699	WASHER,FLAT,M10,ZINC PLTD.		--	119477	IDLER BRACKET	
27	70367	BOTTLE,COOLANT RECOVERY,3.7***.....1	1	48	119073	HOSE,COOLANT,REG INTAKE.....1	1
				--	119053	CLAMP,HOSE,1.50	
				49	19358	CONNECTOR,010102-6-4	
				50	119055	HOSE ASSY,LP GAS	
				51	112400	PLATE,FRONT LIFTING EYE.....1	1



507.1 Deutz TD2011-L04i Engine - View 1



507.1 Deutz TD2011-L04i Engine - View 1

Item	Part No.	Description	Qty.	Item	Part No.	Description	Qty.
--	121340	ENGINE KIT, DEUTZ TD2011L04i		--	81468	MOUNTING BAND,AIR CLEANER	
--	T114678	SHUTDOWN SOLENOID,12V, DEUTZ.....1 <i>(replaced 32752) (must order cable assembly, 58256, if replacing 32752) (does not include o-ring)</i>		23	111445	SENDING UNIT,OIL TEMP SWCH,DTZ.....1	
--	58256	SOLENOID CABLE ASSY***		24	70455	FORMING,ENGINE MOUNT	
--	72255	CONNECTOR, DEUTZ FUEL SHUTOFF* <i>(does not include diode, 45782)</i>		25	13003	SCREW,HHC,5/8-11 X 3.5 GRD.8	
--	45782	DIODE,6 AMP,200 PIV,BULK		26	33418	WASHER,FLAT,.625 X 2.25 X.15	
1	111668	PUMP,FUEL 2011 DEUTZ ***1		27	102045	ISOLATOR,ENGINE VIBRATION	
--	111402	O-RING, FUEL LIFT PUMP		28	18596	WASHER,FLAT,1.56 X 2.5 X .061	
--	27089	HOSE,5/16 FUEL,SAE 30R7		29	13064	WASHER,FLAT,.625 HARDENED	
--	30490	HOSE,1/4 FUEL LINE,SAE 30R7		30	6024	NUT,NYLOCK,5/8-11	
2	22578	SCREW,HHC,M6 X 20MM,GR8.8		31	52352	DIPSTICK-F3L1011F (DEUTZ).....1	
3	49407	WASHER,LOCK,M6		32	58299	SENDING UNIT,OIL PRESS.,DEUTZ*1	
4	50787	LEVER,GOVERNOR ACTUATOR**1		33	29560	FILTER,FUEL/WTR SEP, DTZ 1008.....1 <i>Genie Genuine Part. See PN 1254826 for compatible aftermarket replacement.</i>	
5	6584	SCREW,SHS,10-24 X .625.....1		--	1254826	FUEL FILTER W/SEP,DEUTZ,1008.....1 <i>Genie Aftermarket Part. Filter for Deutz F3L 1011F Engine.</i>	
6	6638	WASHER,FLAT,USS,1/4"Y.....2		34	139321	FORMING, SOLENOID MOUNT***1	
7	5365	NUT,NYLOCK,10-24.....1		35	49924	FILTER,OIL,DEUTZ F4L1011F.....1 <i>Genie Genuine Part. See PN 1255653 for compatible aftermarket replacement.</i>	
8	139322	THROTTLE LINKAGE, DSL.....1		--	1255653	FILTER,OIL,DEUTZ,REPLACEMENT.1 <i>Genie Aftermarket Part. Compatible with Genie Genuine Part 49924</i>	
9	21130	CLEVIS YOKE-1/4-28,PLTD W/PIN.....1 <i>includes clevis pin and cotter pin</i>		36	70465	TAILPIPE,DEUTZ BF4L2011.....1	
10	77402	SOLENOID,THROTTLE ACTUATOR DSL.....1		37	70448	FORMING,MUFFLER MOUNT.....1	
11	58249	ALTERNATOR, DEUTZ,BF4L2011***1		38	22558	SCREW,HHC,M14 X 40MM,GR 8.8	
12	58630	V-BELT, DEUTZ TD2011LOAI.....1		39	49411	WASHER,FLAT,M14	
13	102227	TUBE,AIR INTAKE.....1		40	61110	SCREW,SHC,M10X1.5X30 GR 12.9	
14	88064	REDUCER,3" TO 2.75".....1		41		Ref: Pumps <i>refer to section 405.1</i>	
15	30489	CLAMP,HOSE,3.50.....4		42	8177	SCREW,HHC,1/2-13 X 1.5	
16	139455	ELBOW,AIR INTAKE,RUBBER		43	13066	WASHER,FLAT,5 HARDENED	
17	128896	WELDMENT, AIR INTAKE BOX.....1		44	60838	CLAMP,1.00,#16 X 7/16,RUB CUSH.....1	
18	110183	BAFFLE,AIR INTAKE S60.....1		45	85053	SCREW,HHC,M10 X 1.5 X70,GR 8.8	
19	6175	SCREW,HHC,3/8-16 X 1		46	22699	WASHER,FLAT,M10,ZINC PLTD.	
20	5397	WASHER,FLAT,USS,5/16",Y					
21	4828	NUT,NYLOCK,3/8-16					
22	81467	AIR CLEANER,NELSON.....1					
--	62425	FILTER,AIR CLEANER, SUPERBOOM					

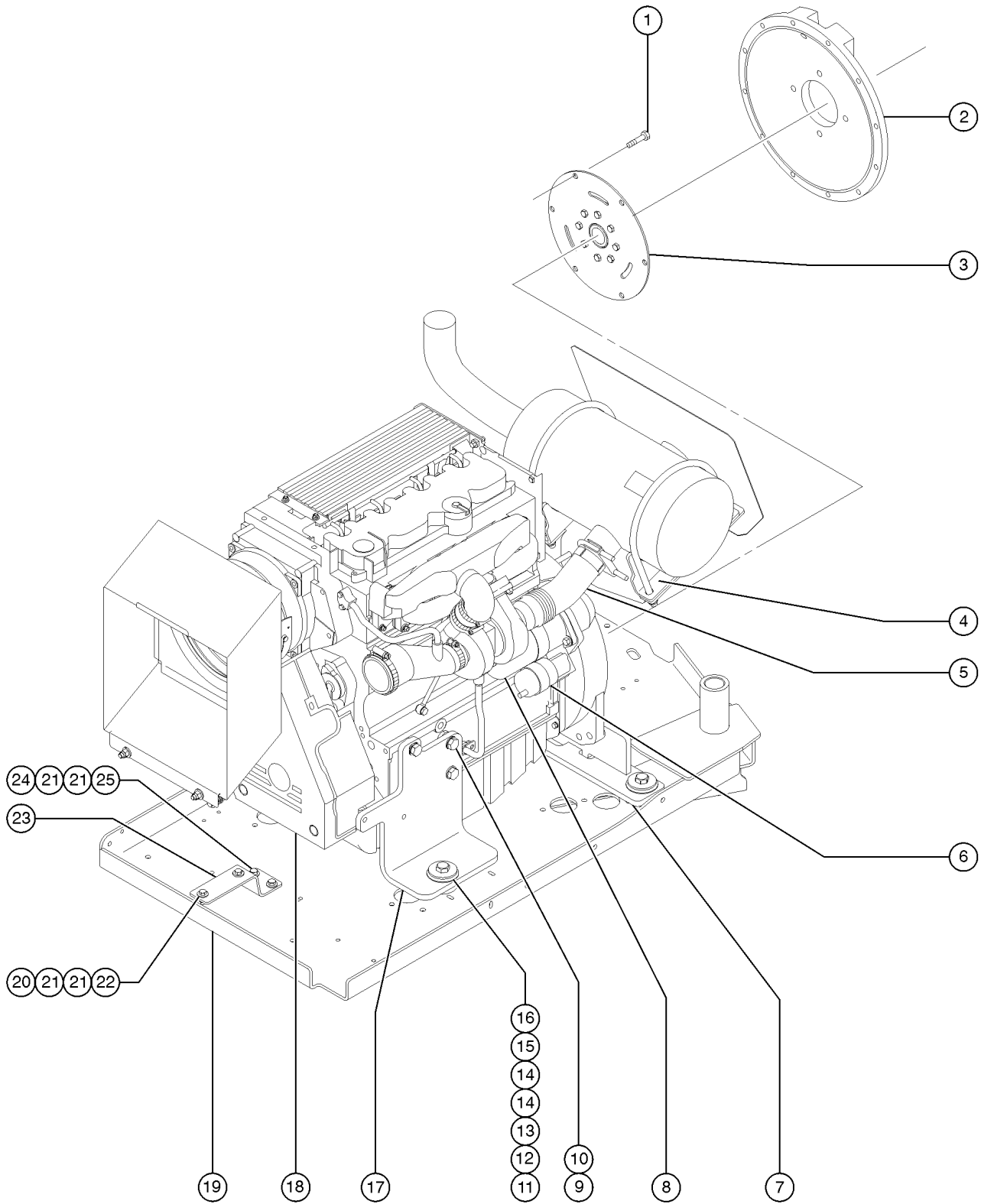


507.1 Deutz TD2011-L04i Engine - View 1
(continued)

Item	Part No.	Description	Qty.
47	71911	CLAMP,MUFFLER, 2.50 INCH.....	2
48	102237	FORMING,HEAT SHIELD,MUFFLER.....	1
49	70449	U-BOLT,1/2-13 X 8.5.....	2
50A	70444	MUFFLER,2.5"INLET/OUTLET.....	1
50B	119117	MUFFLER,CAT/SPARK,DEUTZ <i>spark arrest option</i>	
51	89997	RELAY MODULE(89996,89998).....	1
52	128829	CIRCUIT BRKR 15A TYPE 2 METAL.....	1

This Page Intentionally Left Blank

508.1 Deutz TD2011-L04i Engine - View 2

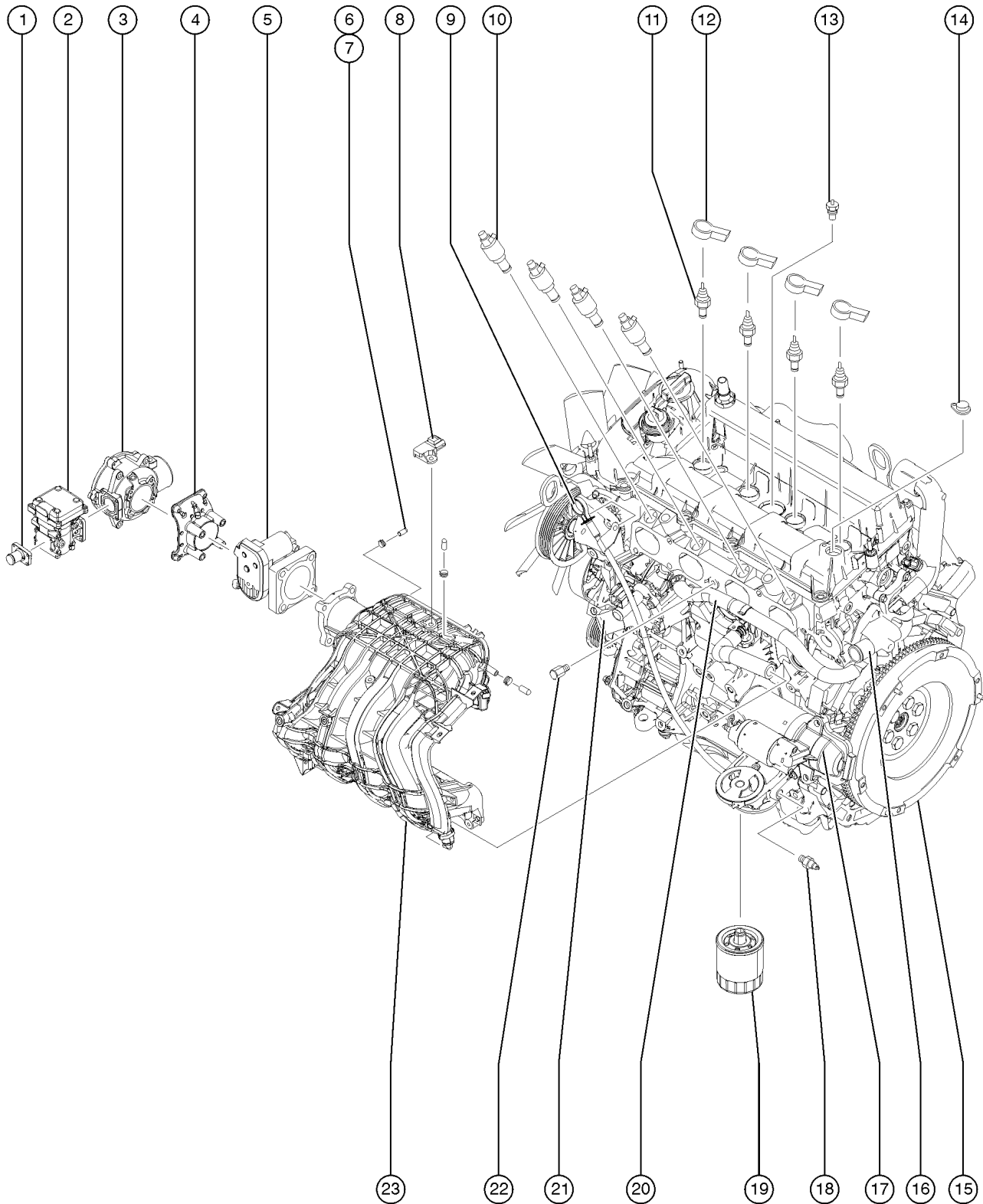


508.1 Deutz TD2011-L04i Engine - View 2

Item	Part No.	Description	Qty.	Item	Part No.	Description	Qty.
--	102581	PUMP,FUEL INJ,DEUTZ BF4L20 <i>class A injection pump; provide SN of engine to service to get correct injection pump (A, B, C, D)</i>		23	102209P	FORMING,AIR CLEANER MOUNT PNTD.....	1
--	T108732	PUMP,FUEL INJ, DEUTZ BF4L20 <i>class B injection pump; provide SN of engine to service to get correct injection pump (A, B, C, D)</i>		24	6019	SCREW,HHC,3/8-16 X 1.25 GRD 5	
--	T108733	PUMP,FUEL INJ, DEUTZ BF4L20 <i>class C injection pump; provide SN of engine to service to get correct injection pump (A, B, C, D)</i>		25	4828	NUT,NYLOCK,3/8-16	
--	T108734	PUMP,FUEL INJ, DEUTZ BF4L20 <i>class D injection pump; provide SN of engine to service to get correct injection pump (A, B, C, D)</i>					
1	62476	SCREW,SHC,M10X1.5X20MM (75090)					
2	70381	COVER,FLYWHEEL CASTING.....	1				
3	128004	COUPLER,15 TOOTH,FBA,SAE8***					
4	70483	FORMING,8.5' MUFFLER MOUNT.....	1				
5	70445	FLEX PIPE,EXHAUST,2.5" DIA.....	1				
--	139983	EXHAUST PIPE GASKET					
6	49915	SOLENOID-STARTR DEUTZF4L1011F*.....	1				
7	70456	WELDMENT,REAR ENGINE MOUNT.....	1				
8	139709	STARTER, 12V.....	1				
9	22558	SCREW,HHC,M14 X 40MM,GR 8.8					
10	49411	WASHER,FLAT,M14					
11	13003	SCREW,HHC,5/8-11 X 3.5 GRD.8...4					
12	33418	WASHER,FLAT,.625 X 2.25 X.15					
13	102045	ISOLATOR,ENGINE VIBRATION....4					
14	18596	WASHER,FLAT,1.56 X 2.5 X .061					
15	13064	WASHER,FLAT,.625 HARDENED....4					
16	6024	NUT,NYLOCK,5/8-11					
17	70454P	FORMING,ENGINE MOUNT PAINTED.....	1				
18	146061	V-BELT GUARD, DEUTZ 2011.....	1				
19		Ref: Engine Tray with Bearing <i>refer to section 304.1</i>					
20	13002	SCREW,HHC,5/16-18 X 1 GR5					
21	5397	WASHER,FLAT,USS,5/16",Y					
22	6782	NUT,NYLOCK,5/16-18					



509.1 Ford MSG-425 EFI Engine - View 1 (from SN 24509)

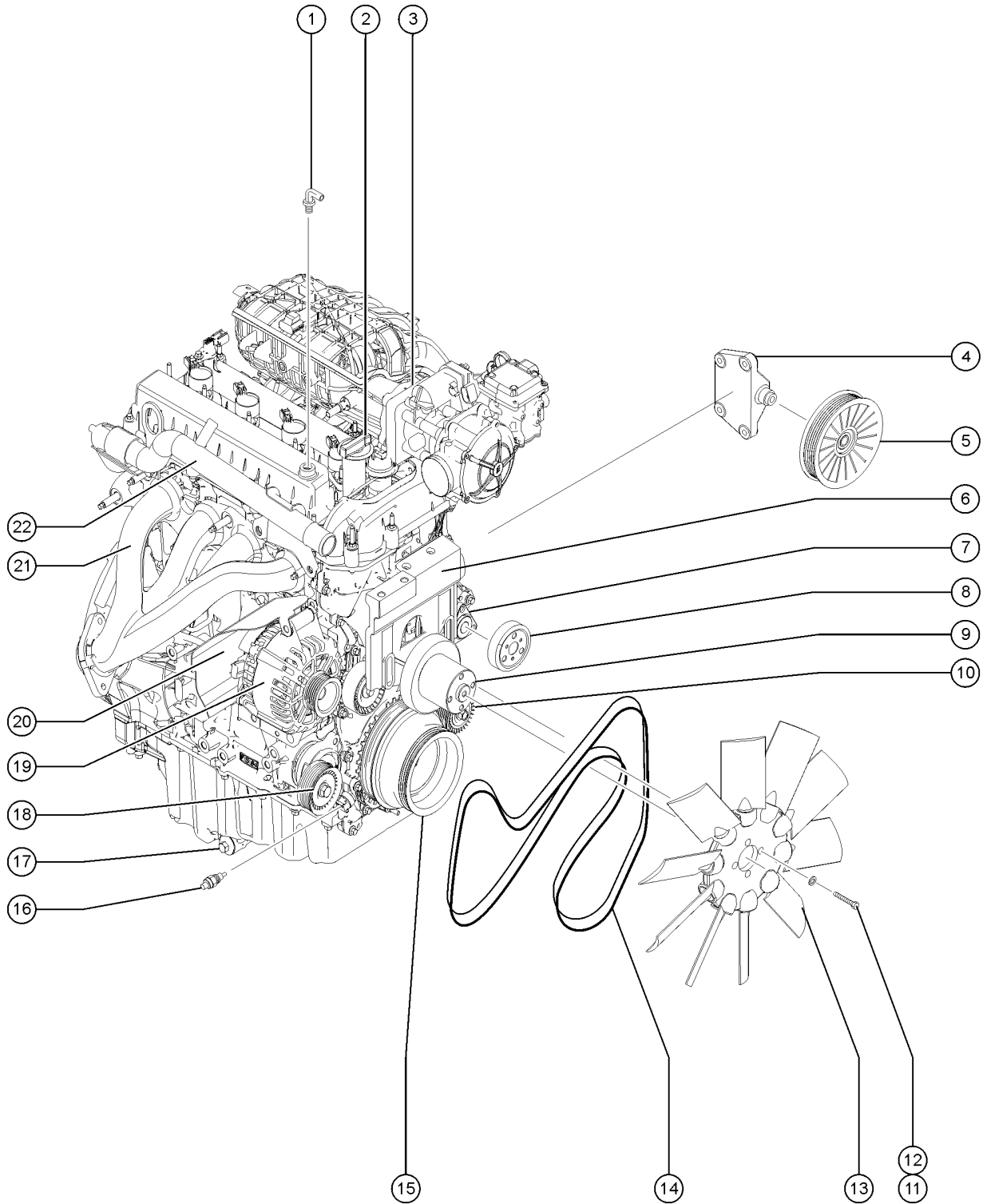


509.1 Ford MSG-425 EFI Engine - View 1 (from SN 24509)

Item	Part No.	Description	Qty.	Item	Part No.	Description	Qty.
--	128165	RELAY,PWR/FUEL,FORD DSG423		14	215308	SENSOR, CAM POS, MSG425.....1	
--	128166	RELAY,STARTER,FORD DSG423		15	215278	FLYWHEEL ASSY, MSG425.....1	
--	215294	ENGINE HARNESS, MSG425.....1		16	215275	ADAPTER, WATER CONN, MSG425.....1	
--	215295	SOLENOID, VAR. TIM, MSG425		17A	1258103	STARTER,HD,FORD MSG425.....1 <i>replaced 215293</i>	
1	215285	FITTING, DEPR LP, MSG425.....1		17B	128166	RELAY,STARTER,FORD DSG423 <i>for 215293</i>	
2	215284	REGULATOR,LP PRESSURE,MSG425.....1		17C	217823	STARTER PLUG SEAL, MSG425 <i>for 215293</i>	
3	215280	MIXER, MSG425.....1		18	215301	SWITCH, OIL PRES, MSG425.....1	
--	215281	O-RING, SMOOTH, MSG425		19	215292	OIL FILTER, MSG425.....1	
--	215282	O-RING, RIBBED, MSG425		20	215302	HOSE, COOLANT BYPASS, MSG425.....1	
4	215283	ADAPTER, MIXER/THRO, MSG425.....1		21	215310	THERMOSTAT W/HOUSING, MSG425.....1	
5	119960	THROTTLE,ELECT,FORD DSG423.....1		22	215309	SENSOR, KNOCK, MSG425.....1	
--	88452	GASKET,THROTTLE ACTUATOR***		23	215305	INTAKE MANIFOLD, MSG425.....1	
6	217820	CAP, INT. MFLD. VAC, MSG425.....2					
7	119568	CLAMP,SPRING,1/2".....3					
8	119475	MAP SENSOR, DSG-423.....1					
--	119965	COVER,DUST,IDLER,FORD DSG423					
9A		Ref. OIL INDICATOR, MSG425.....1 <i>Previous dipstick part 215297 is no longer available; customers before SN 13-25377 must order kit 220229 for first time replacement</i>					
9B	220229	KIT, DIPSTICK, MSG425 <i>to SN 13-25376</i>					
9C	220230	DIPSTICK, MSG425 <i>from SN 13-25377</i>					
--	18506	5/16-18 X .75 LG.FLG.LCK.SCREW <i>(not shown, use to mount dipstick part 220230)</i>					
--	220231	O-RING,DIPSTICK,MSG425 <i>(not shown, use with dipstick part 220230)</i>					
--	6002	NUT,LP NYLOCK,5/16-18 <i>(not shown, use to mount dipstick part 220230)</i>					
--	6638	WASHER,FLAT,USS,1/4"Y <i>(not shown, use to mount dipstick part 220230)</i>					
10	215299	INJECTOR, FUEL, MSG425.....4					
11	215287	SPARK PLUG, MSG425.....4					
12	215314	COIL ASSY, MSG425.....4					
13	215300	SENSOR, CYL. HEAD TEMP, MSG425.....1					



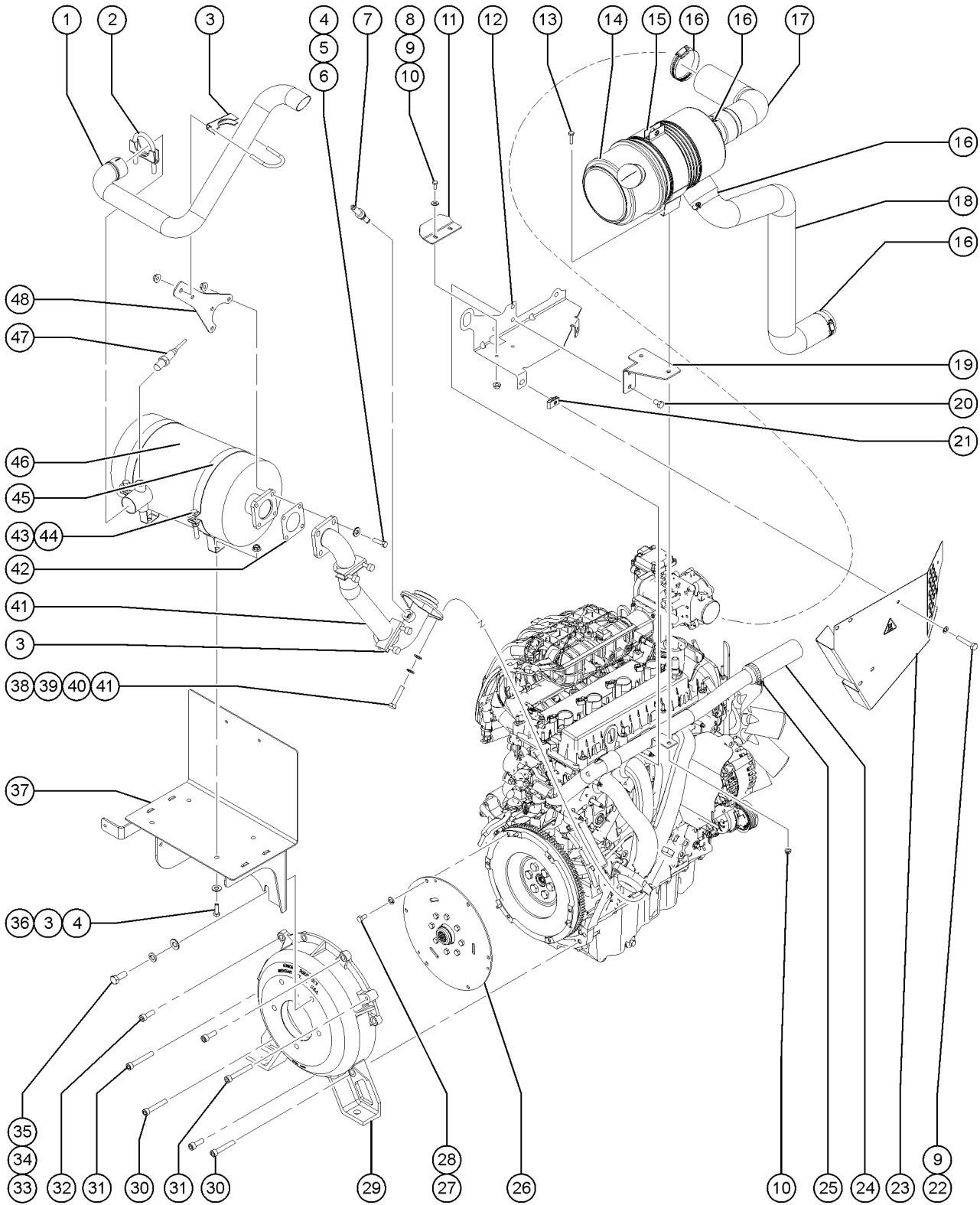
510.1 Ford MSG-425 EFI Engine - View 2 (from SN 24509)



510.1 Ford MSG-425 EFI Engine - View 2 (from SN 24509)

Item	Part No.	Description	Qty.
1	119474	VALVE,PCV FORD DSG-423.....	1
--	75631	HOSE,AIR 3/8	
2	58632	CAP,OIL FILLER,FORD DSG 423....	1
3	215279	PLATE, INT. MFLD ADAP, MSG425	
4	119477	IDLER BRACKET.....	1
5	215298	UPPER IDLER PULLEY, MSG425...	1
6	217821	FAN BRACKET, MSG425.....	1
		<i>(does not included part 215272)</i>	
--	215272	FAN BRACKET/PULLEY, MSG425	
		<i>(not shown)</i>	
7	215288	WATER PUMP, MSG425.....	1
8	215289	WATER PUMP PULLEY, MSG425.....	1
9	215271	FAN PULLEY, MSG425.....	1
--	215270	FAN SPACER, MSG425.....	1
10	215313	LOWER IDLER PULLEY, MSG425.....	1
11	32309	SCREW,HHC,M8 X 60MM X 1.25	
12	49408	WASHER,LOCK,M8	
13	215269	FAN, MSG425.....	1
14	215291	BELT, FEAD, MSG425.....	1
		<i>(shown)</i>	
--	215274	FAN DRIVE BELT, MSG425	
		<i>Fan belt (not shown)</i>	
15	215273	CRANK PULLEY, EXT, MSG425.....	1
16	215307	SENSOR, CRANK POS, MSG425....	1
17	215311	PLUG, OIL DRAIN, MSG425.....	1
18	215290	PULLEY/TENSIONER, MSG425.....	1
19	119140	ALTERNATOR,DSG-423.....	1
--	217824	CHARGE WIRE, MSG425	
20	227309	HEAT SHIELD,ALTERNATOR,FORD.....	1
21	215276	EXHAUST MANIFOLD, MSG425.....	1
--	215277	GASKET, MSG425	
--	217822	NUT, EXH. MANIFOLD, MSG425	
--	823816	GASKET, EXHAUST, FORD MSG425	
22	236373	PIPE,COOLANT RETURN, MSG425.....	1

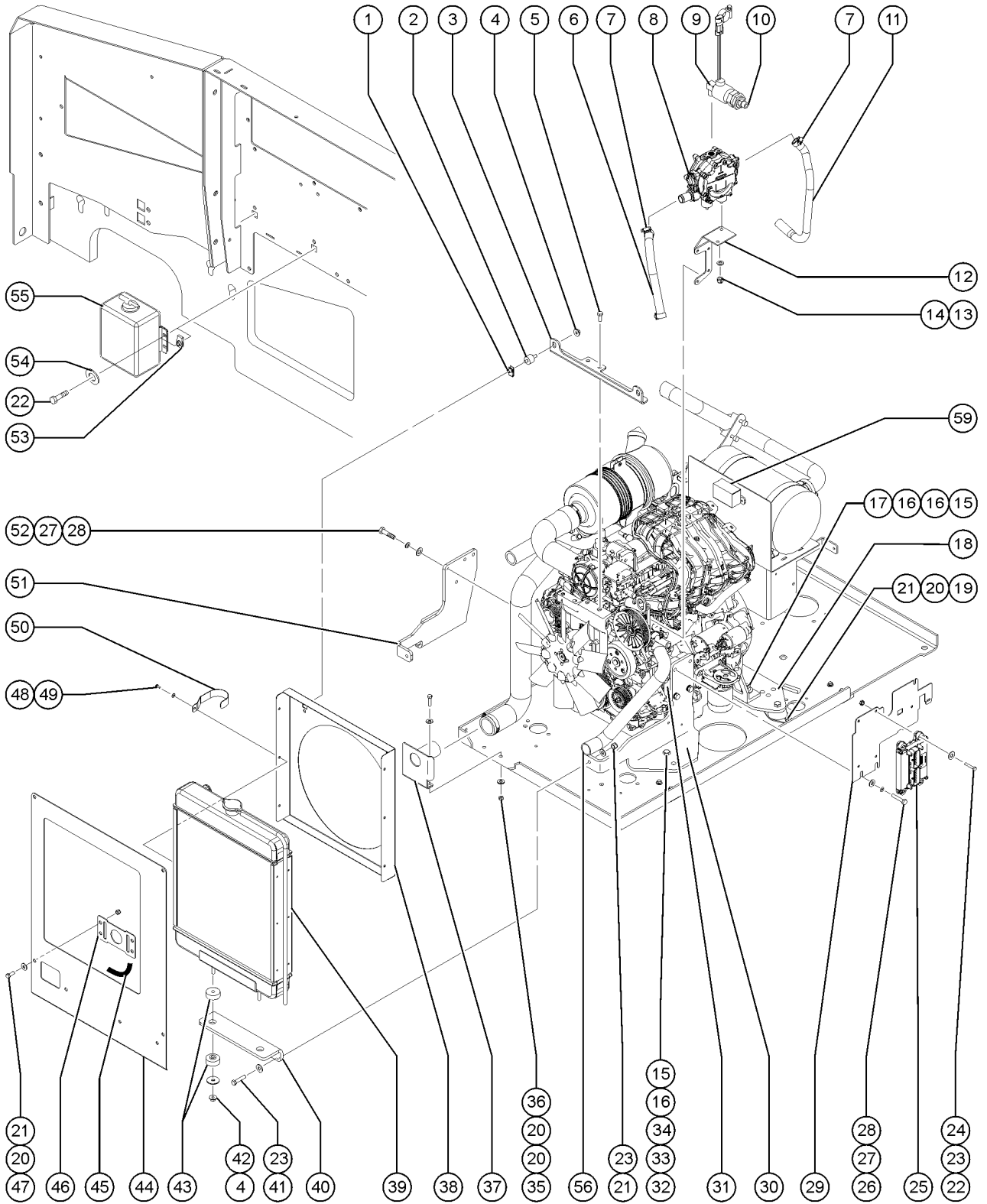
511.1 Ford MSG-425 EFI Engine - View 3 (from SN 24509)



511.1 Ford MSG-425 EFI Engine - View 3 (from SN 24509)

Item	Part No.	Description	Qty.	Item	Part No.	Description	Qty.
1	237251	TAILPIPE, S60 MSG425.....	1	28	6021	WASHER,LOCK,,375	
2	102121	CLAMP,MUFFLER,1-7/8 IN.....	1	29	119052	PUMP MOUNT,FORD DSG423.....	1
3	32064	CLAMP,MUFFLER,1.75 INCH.....	3	30	111748	SCREW,SHC,M10X1.5 X 60 GR8.8.....	2
4	18503	NUT,LOCKING-LG.FLANGE,5/16-18		31	215544	SHCS, M10-1.5X70MM, CL12.9.....	2
5	5397	WASHER,FLAT,USS,5/16",Y		32	61110	SCREW,SHC,M10X1.5X30 GR 12.9.....	3
6	13000	SCREW,HHC,5/16-18 X 1.25		33	10597	SCREW,HHC,1/2-13 X 1.25 GR5	
7	215320	SENSOR, O2, MSG425.....	1	34	6033	WASHER,LOCK,0.5"	
8	6090	SCREW,HHC,1/4-20 X .75		35	13066	WASHER,FLAT,.5 HARDENED	
9	6638	WASHER,FLAT,USS,1/4"Y		36	13002	SCREW,HHC,5/16-18 X 1 GR5	
10	18504	NUT,LOCKING-LG.FLANGE,1/4-20		37	215709	WELDMENT,CAT MOUNT,MSG425.....	1
11	218742	FORMING,MFLD GUARD,MSG425..... <i>from SN 25543</i>	1	38	128061	SCREW, HHC, M10 X 1.5 X 50	
12A	216368	FORMING,HEAT SHIELD MOUNT..... <i>to SN 25542</i>	1	39	22700	WASHER,LOCK,M10	
12B	218668	FORMING, HEAT SHIELD MOUNT..... <i>from SN 25543</i>	1	40	22699	WASHER,FLAT,M10,ZINC PLTD.	
13	6888	SCREW,HHC,1/4-20 X 1		41A	110407	WELDMENT,HEADER PIPE..... <i>to SN 25542</i>	1
14	111634	AIR CLEANER,FORD,T3.....	1	41B	218576	WDMT,HEADER PIPE,MSG425 <i>from SN 17959</i>	
--	111634	AIR CLEANER,FORD,T3		42	72343	GASKET,EXH FLANGE-PERKINS54555.....	1
--	227988	VACUATOR VALVE		43	14033	SCREW,HHC,3/8-16 X 2.75.....	2
--	77295	FILTER ELEMENT,AIR,NOLFF LPG		44	4828	NUT,NYLOCK,3/8-16	
15	53952	BRKT,AIR CLEANER ORIENTATION**.....	1	45	119051	MOUNTING BAND,MUFFLER,8.0".....	2
16	45435	CLAMP,HOSE,2.50"***.....	4	46	215528	WDMT, CAT. MUFFLER, MSG425.....	1
17	237146	HOSE, CLEAN AIR, MSG425.....	1	47	139610	SENSOR,AIR,CAT MONITOR.....	1
18	235659	HOSE, RAW AIR, MSG425.....	1	48	236832	TAILPIPE MOUNT , S40 MSG425...1	
19	216367	FORMING,AIR CLEANER MOUNT.....	1				
20	33681	SCREW,HHC,3/8-16 X .625					
21	56912	SPRING CLIP,1/4-20,.025-.15X.5					
22	7339	SCREW,HHC,1/4-20 X .5					
23A	236341	HEAT SHIELD, MSG425..... <i>to SN 25542</i>	1				
23B	160541	WDMT, HEAT SHIELD, MSG425 <i>from SN 17959</i>					
24	236338	HOSE, UPPER RADIATOR, MSG425					
25	36208	CLAMP,HOSE,1.25***.....	2				
26	214446	COUPLER,15T,FBA,SAE 8,MSG425.....	1				
27	49378	SCREW,HHC,M8 X 16					

512.1 Ford MSG-425 EFI Engine - View 4 (from SN 24509)



512.1 Ford MSG-425 EFI Engine - View 4 (from SN 24509)

Item	Part No.	Description	Qty.	Item	Part No.	Description	Qty.
1	36456	SPRING CLIP, 5/16-18.....	2	35	6782	NUT,NYLOCK,5/16-18	
2	48498	ISOLATOR,AIR FILTER MOUNT....	2	36	13000	SCREW,HHC,5/16-18 X 1.25	
3	237780	FORMING, RAD SUPPORT, MSG425.....	1	37	216019	WDMT, SHROUD INT, S60 MSG425.....	1
4	48425	NUT,LOCKING-LRG.FLANGE,3/8-16		38	236364	FAN SHROUD, MSG425.....	1
5	49381	SCREW,HHC,M12 X 30		39	110406	RADIATOR,FORD DSG423.....	1
6	1702	HOSE-HEATER,5/8 ID-BLACK.....	1	--	119484	CAP,COOLANT 3/4	
7	46131	CLAMP,HOSE,.63.....	4	40	110417	FORMING,RADIATOR SUPPORT**.....	1
8	215316	REGULATOR, LP, MSG425.....	1	41	13918	SCREW,HHC,3/8-16 X 1.75,GRD.8	
--	217825	ISOLATOR, VAP. REG, MSG425		42	15086	WASHER,FLAT,.375 X 1.5 X .125	
9	119232	LOCKOFF,LP,FORD DSG-423.....	1	43	24038	SHOCK MOUNT,SMALL.....	4
10	19358	CONNECTOR,010102-6-4.....	10	44	237379	BAFFLE, CNTRWT, S60 MSG425...1	
11	236340	HOSE, COOLANT, VAP, MSG425....	1	45	119218	TRIM,EDGE,1/8X3/4 SIDE BULB.....	8-inches
12	236423	FORMING, LP REG MOUNT, MSG425.....	1	46	238234	PLATE, INT. SHRD SEAL, MSG425.....	1
13	25368	NUT,NYLOCK,M8X1.25		47	8255	SCREW,HHC,3/8-16 X .75	
14	33277	WASHER,FLAT,M8, YELLOW ZINC		48	21019	SCREW,PHIL,PHM,10-24 X.5,SEMS	
15	6198	NUT,NYLOCK,1/2-13		49	6146	WASHER,FLAT,MS,#10,Y	
16	6095	WASHER,FLAT,USS,1/2",Y		50	237385	HOSE HANGER, MSG425.....	2
17	22788	SCREW,HHC,1/2-13 X 1.75		51	236421	ENGINE MOUNT, RIGHT, MSG425.....	1
18	236422	ENGINE MOUNT, REAR, MSG425.....	1	52	44064	SCREW,HHC,M10 X 30MM,.....	4
19	6019	SCREW,HHC,3/8-16 X 1.25 GRD 5		53	56912	SPRING CLIP,1/4-20,.025-.15X.5	
20	5397	WASHER,FLAT,USS,5/16",Y		54	6638	WASHER,FLAT,USS,1/4"Y	
21	4828	NUT,NYLOCK,3/8-16		55	70367	BOTTLE,COOLANT RECOVERY,3.7***.....	1
22	6145	SCREW,HHC,1/4-20 X 1.5				<i>includes cap</i>	
23	6097	WASHER,FLAT,USS,3/8",Y		--	106226	TUBING,VINYL,1/2" CLEAR	
24	6091	NUT,NYLOCK,1/4-20		--	21465	CLAMP,HOSE,SIZE .25 TO .63 <i>(not shown) not included with 70367, must order seperately</i>	
25	215317	CONTROL MODULE, MSG425.....	1	--	6833	CLAMP,0.50,#8 X 1/4,RUB CUSH <i>(not shown) not included with 70367, must order seperately</i>	
26	25927	SCREW,HHC,M10 X 55MM,GRD 8.8.....	4	--	72327	CAP, COOLANT RET SYS(54071)	
27	22700	WASHER,LOCK,M10.....	8	56	236339	HOSE, LOWER RADIATOR, MSG425.....	1
28	22699	WASHER,FLAT,M10,ZINC PLTD.....	8	57A	237856	FUSE BOX COVER.....	1
29	236425	FORMING, ECU MOUNT, MSG425.....	1	57B	237857	FUSE BOX RELAY STICKER.....	1
30	236420	ENGINE MOUNT, LEFT, MSG425...1				<i>(not shown) not included with 237856, order seperately</i>	
31	110477	PLATE,ENGINE SUPPORT SPACER.....	1				
32	39479	SCREW,HHC,1/2-13 X 2.75					
33	70452	ISOLATOR,ENGINE VIBRATION***.....	4				
34	102066	CASTING,WASHER,REBOUND					

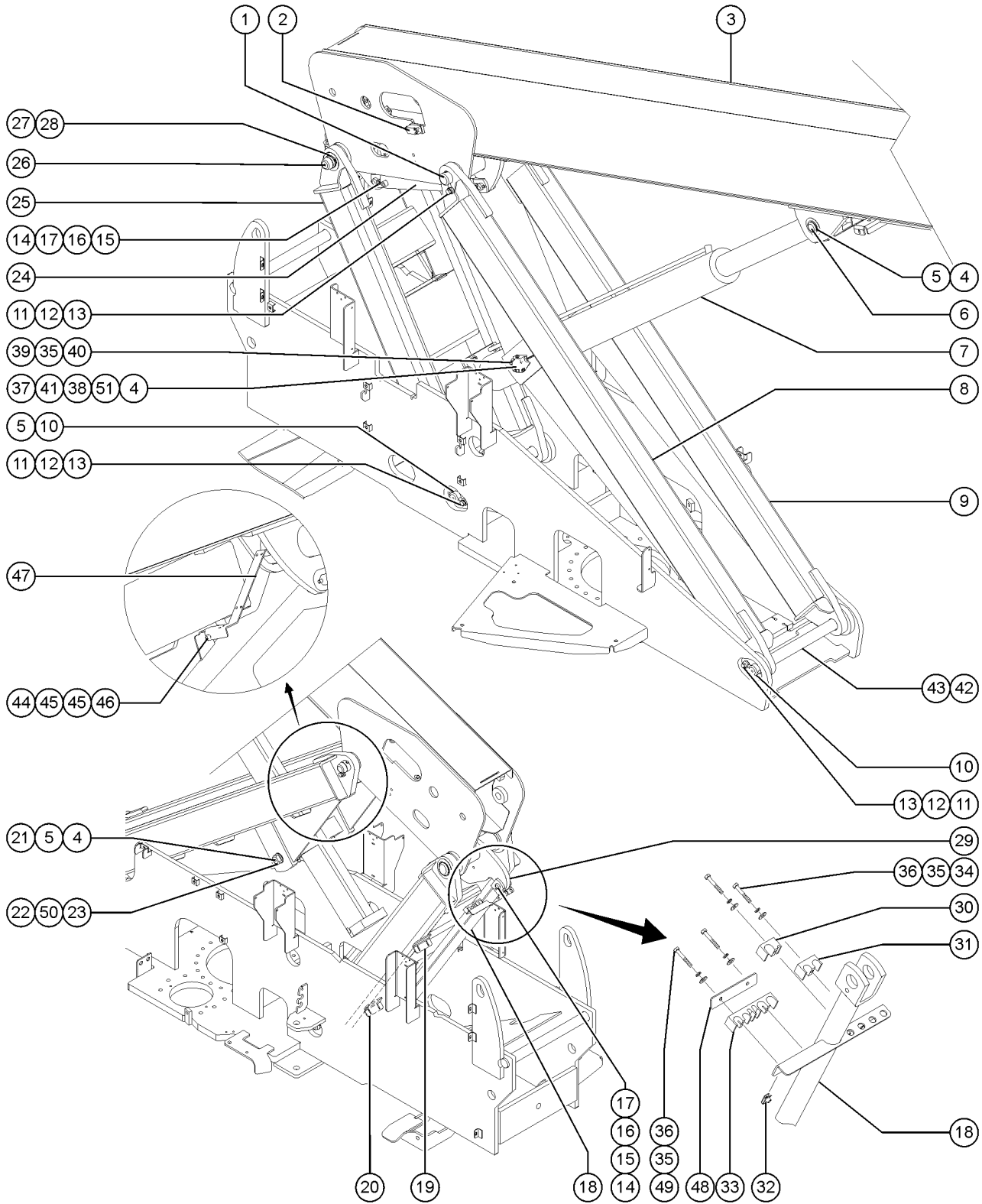
512.1 Ford MSG-425 EFI Engine - View 4 (from SN 24509)
 (continued)

Item	Part No.	Description	Qty.
57C	237858	FUSE BOX MOUNTING,LEFT.....1 <i>(not shown)</i>	
57D	237859	FUSE BOX MOUNTING,RIGHT.....1 <i>(not shown)</i>	

512.1 Ford MSG-425 EFI Engine - View 4 (from SN 24509)
(continued)

This Page Intentionally Left Blank

601.1 Linkage Assembly



601.1 Linkage Assembly

Item	Part No.	Description	Qty.	Item	Part No.	Description	Qty.
1	88665	PIN,2.25DIAX19.25LG,CHAMFER...1		12	6033	WASHER,LOCK,0.5"	
2		HARNES,LS,OP,PRIMARY EXT/RET.....1 <i>refer to section 307.1</i>		13	30418	ROD END,.50 X 4.....2	
3		ASSEMBLY,BOOM TUBE #1 S60/65.....1 <i>refer to section 602.1</i>		14	34276	PIN,1.25DIAX3.37LG,1HOLE.....1	
4	18716	SNAP RING,EXTERNAL,2.00 DIA.....2		15	25284	ROD END,.375 X 2.25***.....2	
5	18730	WASHER,FLAT,2.01 X 3.5 X .06....9		16	6021	WASHER,LOCK, .375	
6	88872	PIN,2.00DIAX11.18LG,2RING.....1		17	6175	SCREW,HHC,3/8-16 X 1	
7A	88653	CYLINDER,LIFT,S60***1 <i>for all S-60 and S-65 models except S-60 HC</i>		18	88675	WELDMENT,MASTER LINK.....1	
--	101252	SEAL KIT (88653) <i>for all S-60 and S-65 models except S-60 HC</i>		19		HARNES,LS,OP,PRIMARY ANGLE.....1 <i>refer to section 307.1</i>	
--	1262331	KIT, GLAND NUT, S60 LIFT CYL. <i>for all S-60 and S-65 models except S-60 HC</i>		--	119056	CONN PLUG 2 WAY ENDCAP DT	
--	18720	BEARING,2.0IDX2.25ODX1.50L <i>for all S-60 and S-65 models except S-60 HC</i>		--	19491	CONTACTOR,LIMIT SWITCH	
--	61602	VALVE,COUNTERBALCBBB-LHN@3500 <i>for all S-60 and S-65 models except S-60 HC</i>		--	43960	WIRE CABLE,16/4 CON.TPE JKT......86-inches	
7B	107825	CYLINDER, LIFT, S60HC.....1 <i>FOR S-60 HC</i>		--	54260	TERM,NI SOC,14-16GA,BULK	
--	101252	SEAL KIT (88653).....1 <i>FOR S-60 HC</i>		--	60425	LOCK,PLUG 2 WAY, 14-18GA	
--	128464	VALVE,COUNTERBALCWCK-LHN@3500.1 <i>FOR S-60 HC</i>		--	73814	CONN,DSCH,BOOT,DT2S-BT	
--	18720	BEARING,2.0IDX2.25ODX1.50L		--	88356-11103	SWITCH,LIMIT,W/RLR ARM,NO/NC	
--	60984	VALVE,COUNTERBALCBBB-LJN@5000.2 <i>FOR S-60 HC</i>		--	97128	ROLLER ARM,LIMIT SWITCH***	
8	139601	ASSY, LONG LINK LT W/BEARINGS.....1		20		HARNES,LS,OP,PRIMARY VELOCITY.....1 <i>refer to section 307.1</i>	
--	18722	BEARING,2.25IDX2.50ODX1.50L*		--	119058	CONN PLUG 4 WAY ENDCAP DT	
--	88920	BEARING,FL,2.00IDX2.25ODX1.50L		--	19491	CONTACTOR,LIMIT SWITCH	
9	139602	ASSY, LONG LINK RT W/BEARINGS.....1		--	43960	WIRE CABLE,16/4 CON.TPE JKT......61-inches	
--	18722	BEARING,2.25IDX2.50ODX1.50L*		--	54260	TERM,NI SOC,14-16GA,BULK	
--	88920	BEARING,FL,2.00IDX2.25ODX1.50L		--	60429	LOCK,PLUG 4 WAY,14-18GA	
10	88676	PIN,2.00DIAX24.00LG,CHAMFER***.2		--	73739	BOOT,PLUG 4 WAY	
11	8177	SCREW,HHC,1/2-13 X 1.5		--	88356-11103	SWITCH,LIMIT,W/RLR ARM,NO/NC	
				--	97128	ROLLER ARM,LIMIT SWITCH***	
				21	88666	PIN,2 X 5.75 LG.....1	
				22	13854	SCREW,HHC,1/2-13 X 4.5,GRD.8...2	
				23	6198	NUT,NYLOCK,1/2-13	
				24	88668	CYLINDER,MASTER,S60,S65.....1 <i>component no longer available</i>	
				--	101253	SEAL KIT (88668) <i>for 88668; to SN 23218</i>	
				--	75470	SEAL KIT,CYL,S45 MASTER(81694) <i>for 81694; from SN 23219</i>	
				--	81694	CYLINDER,MASTER <i>from SN 23219</i>	

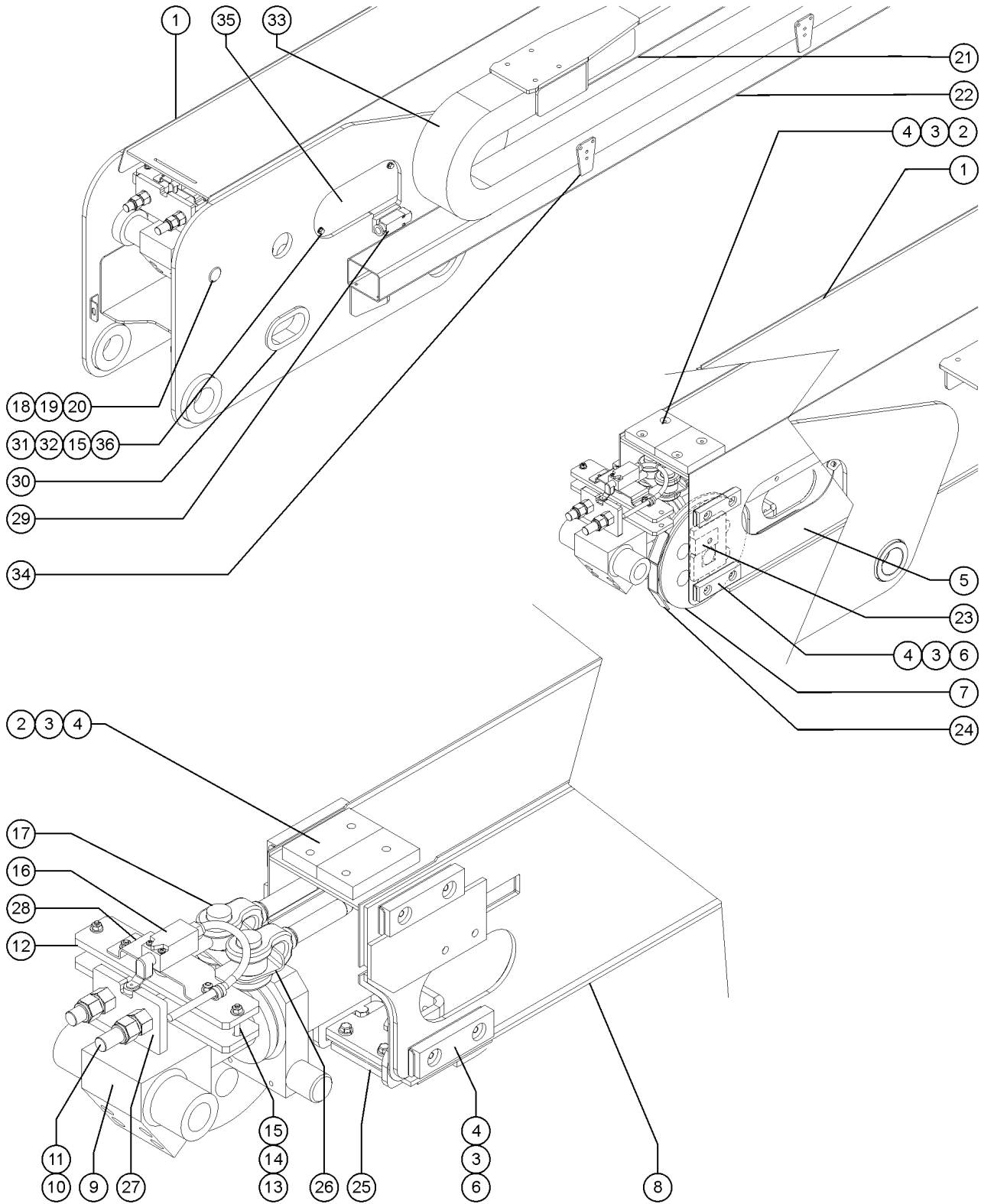


601.1 Linkage Assembly
(continued)

Item	Part No.	Description	Qty.	Item	Part No.	Description	Qty.
25	T106508	SHORT LINK W/BEARINGS, SERVICE.....1 <i>(includes items 26-28)</i>		41	147571	KEY, HEX, 5/16" X 2.50"LG,SS.....1	
--	18720	BEARING,2.0IDX2.25ODX1.50L		42	110908	WELDMENT, LONG LINK SPACER.....1	
--	18722	BEARING,2.25IDX2.50ODX1.50L*		43	10597	SCREW,HHC,1/2-13 X 1.25 GR5.....1	
--	T106413	WELDMENT, SHORT LINK		44	815852	SCREW,HHC,7/16-14 X 1.75 <i>from SN 22987</i>	
26	119990	PIN,2.25DIAX18.75LG,CHAMFER...1		45	106134	WASHER,FLAT,HARDENED 7/16 <i>from SN 22987</i>	
27	18731	WASHER,FLAT,2.27 X 3.5 X .06.....6		46	11210	NUT,NYLOCK,7/16-14 <i>from SN 22987</i>	
28	18717	SNAP RING,EXTERNAL,2.25 DIA.....2		47	230497	FORMING,ANGLE SENSOR CABLE.....1 <i>from SN 22987</i>	
29	77672	WELDMENT,TIMING LINK CAM....1		48	227125	BAR, CLAMP, TIMINKINK.....1 <i>from SN 22586</i>	
--	30370	BEARING,1.25IDX1.5ODX1.00L		49A	6637	SCREW,HHC,1/4-20 X 1.75.....2 <i>to SN 22585</i>	
--	88919	BEARING,FL,2.25IDX2.50ODX1.63L		49B	36294	SCREW,HHC,1/4-20 X 2.75.....2 <i>from SN 22586</i>	
30A	70290	CLAMP,LINK,LH.....1 <i>(shown) to SN 22585</i>		50	13066	WASHER,FLAT,.5 HARDENED.....2	
30B	824550	CLAMP, TIMING LINK, LH <i>(not shown) replaces both items 30 & 31, from SN 22586</i>		51	T107751	WASHER,FLAT,2.01X2.25X.06,PLTD.1	
31A	70289	CLAMP,LINK,LH WELD WIRE.....1 <i>to SN 22585</i>					
31B	824550	CLAMP, TIMING LINK, LH <i>(not shown) replaces both items 30 & 31, from SN 22586</i>					
32	25969	CLIP,SPRING,1/4-20 BLACK.....4					
33A	139793	CLAMP, TIMING LINK.....1 <i>(shown) to SN 22585</i>					
33B	T115605	CLAMP, TIMING LINK <i>(not shown) from SN 22586 to 26286</i>					
33C	824546	CLAMP, TIMING LINK, RH <i>(not shown) from SN 26287</i>					
34	6637	SCREW,HHC,1/4-20 X 1.75.....2					
35	6356	WASHER,LOCK,.25.....4					
36	6638	WASHER,FLAT,USS,1/4"Y.....4					
37	147834	ASSY, ANGLE SENSOR AND COVER.....1 <i>all models except S-60HC</i>					
--	110452	COVER,STEERING SENSOR					
--	60746	BUSHING, STRAIN RELIEF, 1"					
--	6607	WASHER,LOCK,#10 PLTD					
--	75041	SCREW,PHILLIPS,PHM,10-32 X 1					
--	94980	SENSOR,DUAL OUTPUT,ANGLE					
38	147842	PIN, LIFT CYL, HEX END.....1					
39	6090	SCREW,HHC,1/4-20 X .75					
40	6638	WASHER,FLAT,USS,1/4"Y					

This Page Intentionally Left Blank

602.1 Boom Components - View 1



602.1 Boom Components - View 1

Item	Part No.	Description	Qty.	Item	Part No.	Description	Qty.
1	T108890	#1 BOOM TUBE ASSY,W/WORD DECAL.....1 <i>USA, Canada and Australia models</i>	1	16		HARNES,LS,OP,CABLE TENSION.....1 <i>refer to 307.1</i>	1
--	18720	BEARING,2.0IDX2.25ODX1.50L.....2	2	--	119067	CONN,RECEP 4 WAY ENDCAP DT	
--	30370	BEARING,1.25IDX1.5ODX1.00L.....1	1	--	19491	CONTACTOR,LIMIT SWITCH	
--	88919	BEARING,FL,2.25IDX2.50ODX1.63L.4	4	--	43960	WIRE CABLE,16/4 CON.TPE JKT.....15-inches	
--	T108891	#1 BOOM TUBE ASSM, W/SYM DECAL <i>South America, Asia and Europe models</i>		--	60443	LOCK,RECEP 4 WAY,14-18GA	
2	34124	WEAR PAD,5 X 3 X .625 W/INSER.....4	4	--	73713	TERM,NI PIN,S&F,16-18GA,REEL	
--	34344	SHIM,SIDE PAD 16GA. 3 X 5		--	73725	BOOT,DTSCH,DTP4-BT	
3	6021	WASHER,LOCK, .375		--	88356-13103	SWITCH,LIMIT,W/RLLR ARM,NO/NC	
4	28487	SCREW,BHHS,3/8-16 X 1		--	97128	ROLLER ARM,LIMIT SWITCH***	
5A	147617	WELDMENT, BOOM SEC #2, S60 DC.....1 <i>S-60X and S-60XC models</i>	1	17	19440	PIN,CLEVIS,1 X 2.5 LG.....2	2
5B	63078	WELDMENT,BOOM SECTION # 2*** <i>S-60, S-60HX, S-60TRAX models</i>		18	81856	PIN,1.50DIAx13.43LG,2RING.....1	1
5C	63078	WELDMENT,BOOM SECTION # 2*** <i>S-65 and S-65TRAX models</i>		19	18383	SNAP RING,EXTERNAL,1.5 DIA***.....2	2
6	30138	WEAR PAD,5 X 1.5 X .625 W/NUTS		20	18596	WASHER,FLAT,1.56 X 2.5 X .061	
7	88568	SHEAVE,RETRACT CABLE(SMALLER).....2	2	21		WELDMENT,CABLE TRACK TUBE.....1 <i>refer to 611.1 or 611.2</i>	1
8	94692	ASSEMBLY,BOOM TUBE #3 S60/65.....1 <i>USA, Canada and Australia models</i>	1	22		WELDMENT,CABLE TRACK TRAY.....1 <i>refer to 611.1 or 611.2</i>	1
--	119567	ASSEMBLY,BOOM TUBE #3 S60/65 <i>South America, Asia and Europe models</i>		23	88795	CAP,EXTENSION.....1	1
--	34245	BEARING,1.25IDX1.50X1.25L.....2	2	--	6021	WASHER,LOCK, .375	
9	88571	CYLINDER,BOOM EXTENSION.....1	1	--	6097	WASHER,FLAT,USS,3/8",Y	
--	101251	SEAL KIT (88571)		--	6175	SCREW,HHC,3/8-16 X 1	
--	74872	VALVE,COUNTERBALANCE 3000 PSI*.....1	1	24	107665P	COVER,RETRACT SHEAVE,PAINTED.....1	1
--	88667	VALVE,CB.CBCA-LHN@1500PSI....1	1	25	77718	WEAR PAD,5 X 3 X .75.....1	1
10	77656	ROD END,CABLE		--	34344	SHIM,SIDE PAD 16GA. 3 X 5	
11	10258	NUT,NYLOCK,3/4-10		--	38621	SHIM,PAD,5 X 3	
12	77654P	PLATE,ROCKER.....2	2	--	6019	SCREW,HHC,3/8-16 X 1.25 GRD 5	
13	8179	SCREW,HHC,1/4-20 X 2.25		--	6021	WASHER,LOCK, .375	
14	6091	NUT,NYLOCK,1/4-20		26	77618P	PLATE,ANTIROTATION.....1	1
15	6638	WASHER,FLAT,USS,1/4"Y		27	77795	MACHINED PIVOT PLATE WELDMENT.....1	1
				28	77653P	FORMING,LIMIT SWITCH BRACKET.....1	1
				--	6091	NUT,NYLOCK,1/4-20	
				--	6638	WASHER,FLAT,USS,1/4"Y	
				--	6888	SCREW,HHC,1/4-20 X 1	

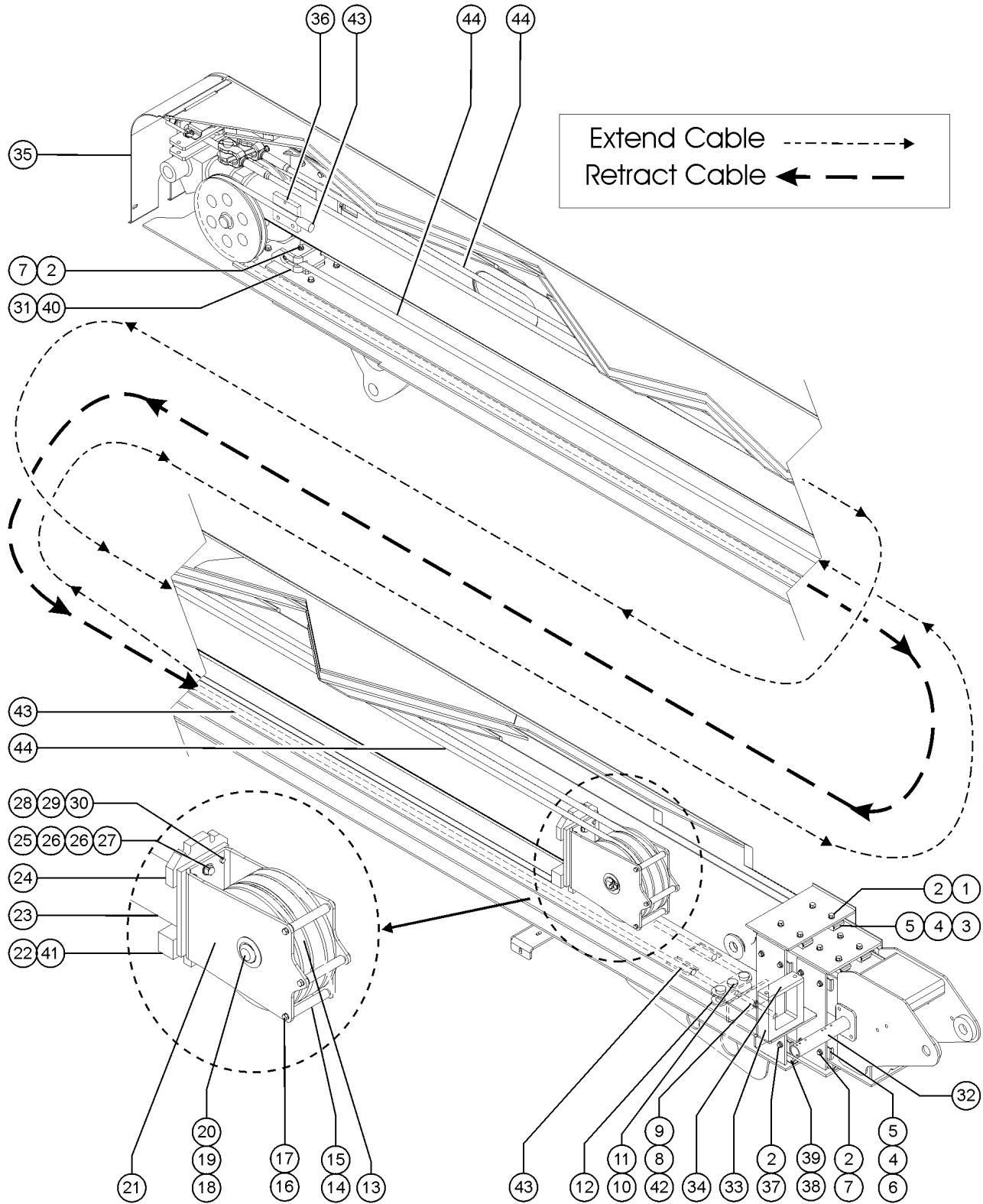


602.1 Boom Components - View 1
(continued)

Item	Part No.	Description	Qty.
29		HARNESS,LS,OP,PRIMARY EXT/RET.....1 <i>refer to 307.1</i>	1
--	119065	CONN,RECEP 2 WAY ENDCAP DT	
--	19491	CONTACTOR,LIMIT SWITCH	
--	43960	WIRE CABLE,16/4 CON.TPE JKT.....23-inches	
--	60439	LOCK,RECEP 2 WAY, 14-18GA	
--	73713	TERM,NI PIN,S&F,16-18GA,REEL	
--	73811	CONN,DSCH,BOOT,DT2P-BT	
--	88356-14963	SWITCH,LIMIT,W/RLLR ARM,NO/NC	
30	71768	GROMMET,4.00 GRV. X .75 THK.....1	1
31	6090	SCREW,HHC,1/4-20 X .75	
32	6356	WASHER,LOCK,.25	
33		CABLE TRACK,STEEL 49 LINKS....1 <i>refer to 611.1</i>	1
34		CABLE TRACK GUIDE TRIANGLE.....10 <i>refer to 611.1</i>	10
35	77882	COVER,RH,BOOM SECTION #1....1	1
--	147403	COVER,LH,BOOM SECTION #1	
36	56912	SPRING CLIP,1/4-20,.025-.15X.5	

This Page Intentionally Left Blank

603.1 Boom Components - View 2



603.1 Boom Components - View 2

Item	Part No.	Description	Qty.	Item	Part No.	Description	Qty.
A	214690	KIT,EXTEND/RETRACT CABLE,S60 <i>(includes items 43 & 44) (for easier installation, suggest ordering 94510, below)</i>		31	77688	WELDMENT,EXTENSION BRACKET.....	1
B	94510	TOOL,CABLE GRIP, 7/16" <i>for installation of 214690</i>		32		WELDMENT,TRACK PULL TUBE PIVOT..... <i>refer to section 611.1</i>	1
1	6175	SCREW,HHC,3/8-16 X 1		33		WEAR PAD,CABLE TRACK PULL TUBE..... <i>refer to section 611.1</i>	1
2	6021	WASHER,LOCK,.375		34		WEAR PAD,5.5 X 1.75 X .5..... <i>refer to section 611.1</i>	1
3	30138	WEAR PAD,5 X 1.5 X .625 W/NUTS.....	8	35	101066P	COVER,PRIMARY BOOM,PAINTED.....	1
4	38620	SHIM,WEAR PAD,5 X 1.5,14GA.....	16	36	77616P	PLATE,BOTTOM BLOCK RH PAINTED.....	1
5	29080	SHIM,WEAR PAD,5X 1.5 16GA.....	16	37	57072	SCREW,BHHS,3/8-16 X 1.25	
6	34125	WEAR PAD,5 X 1.5 X .75 W/NUTS.....	8	38	34344	SHIM,SIDE PAD 16GA. 3 X 5.....	4
7	6019	SCREW,HHC,3/8-16 X 1.25 GRD 5		39	77718	WEAR PAD,5 X 3 X .75.....	4
8	77656	ROD END,CABLE		40	77713	PLATE,TAP BLOCK.....	1
9	10258	NUT,NYLOCK,3/4-10		41	6605	SCREW,HHC,3/8-16 X 3.5,GR5.....	2
10	87247	PIN,CLEVIS,1 X 2.25 LG.....	4	42	33278	WASHER,FLAT,.75 HARDENED	
11	13635-10	PIN,COTTER,.156 X 1.75.....	4	43	110340	CABLE ASSY, RETRACT SET (PAIR)..... <i>(one end mounts at the base, the other end mounts at the top of the mast)</i>	1
12	88796	PLATE,RETRACTION CABLE EQUALIZ.....	2	44	110339	CABLE ASSY, EXTEND SET (PAIR)..... <i>(both ends mount at the base of the mast)</i>	1
13	88567	SHEAVE,EXTENSION CABLE(LARGER).....	1				
14	77648	ROLLER,1/2" PVC.....	1				
15	77649	ROLLER,1/2" ALUMINUM.....	1				
16	6090	SCREW,HHC,1/4-20 X .75					
17	6356	WASHER,LOCK,.25					
18	88793	PIN,1.5 X 5.50 LG.....	1				
19	18383	SNAP RING,EXTERNAL,1.5 DIA***.....	2				
20	18596	WASHER,FLAT,1.56 X 2.5 X .061					
21	139384	BRACKET, EXTEND SHEAVE.....	1				
22	139288	GUIDE, EXT. CABLE BOTTOM.....	1				
23		Ref. Extension Cylinder (refer to 602.1)					
24	139385	GUIDE, EXT. CABLE TOP.....	1				
25	54177	SCREW,HHC,1/2-13 X 1.5 GRD 8...2					
26	49411	WASHER,FLAT,M14					
27	6198	NUT,NYLOCK,1/2-13					
28	4266	SCREW,HHC,1/4-20 X 2					
29	6638	WASHER,FLAT,USS,1/4"Y					
30	6091	NUT,NYLOCK,1/4-20					



604.1 Boom Limit Switch - S-60X, S-60XC and S-60 TraX (ANSI)

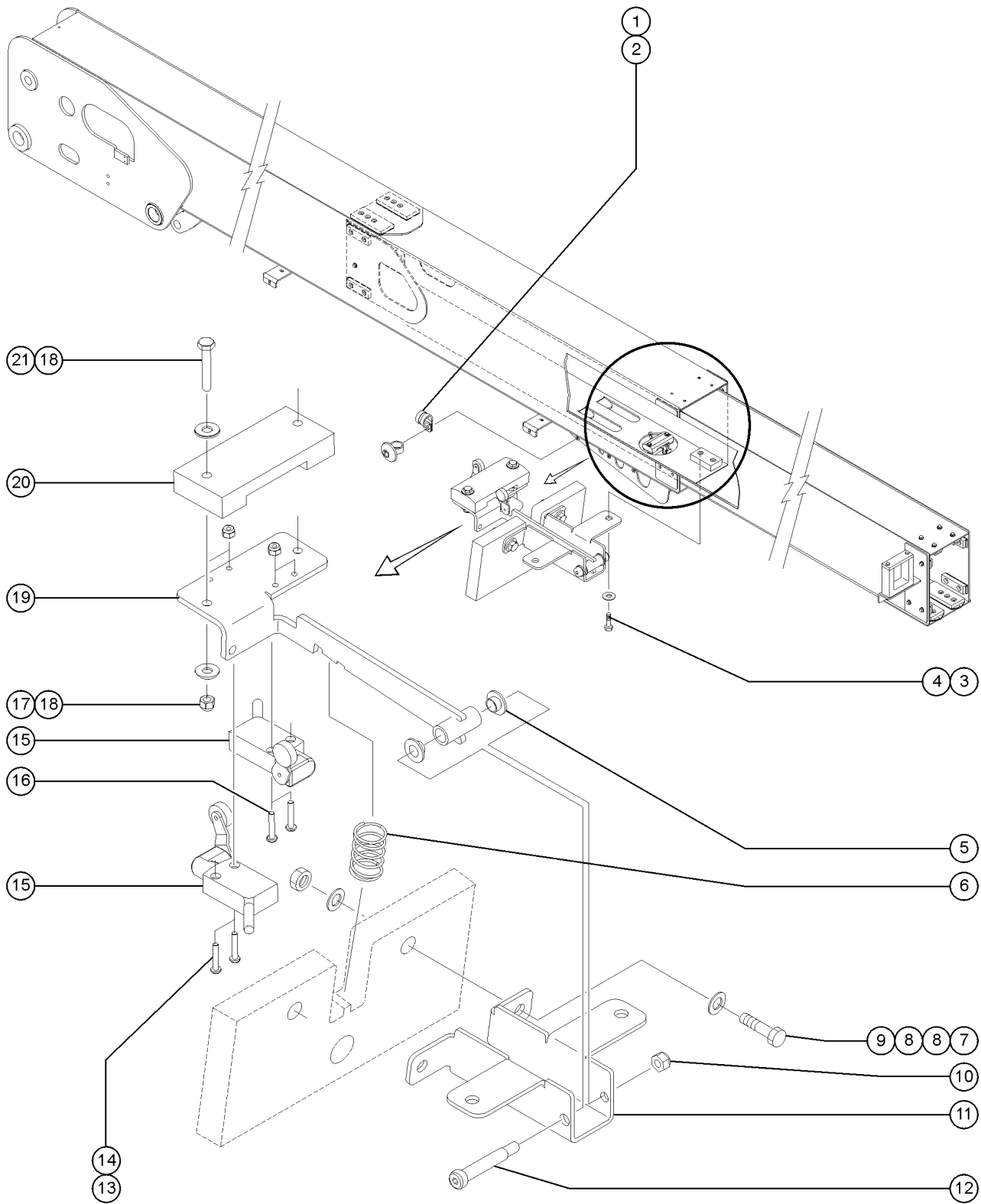


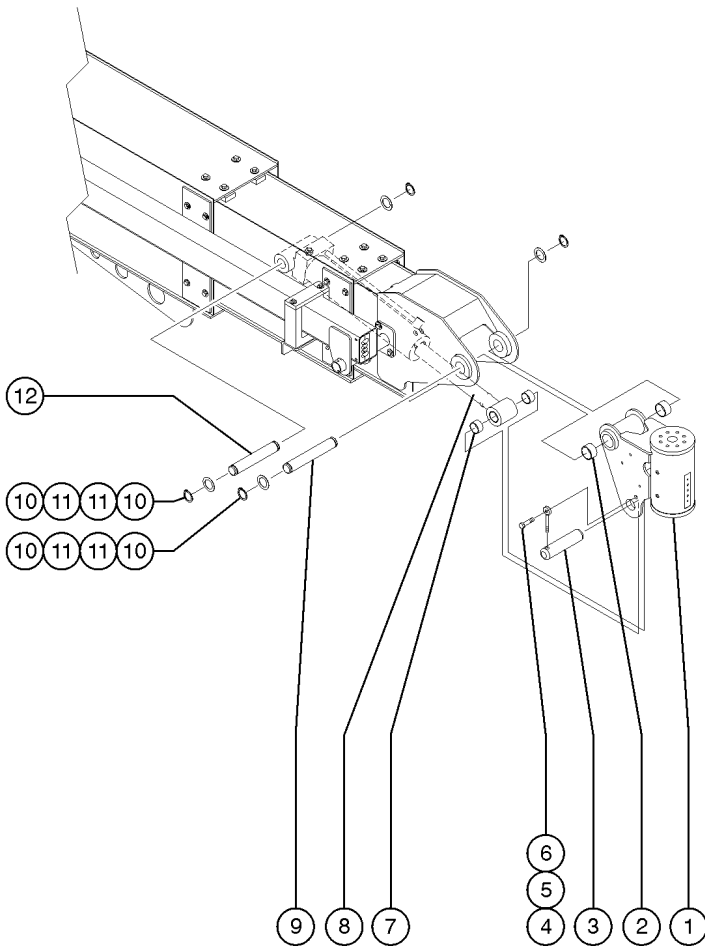
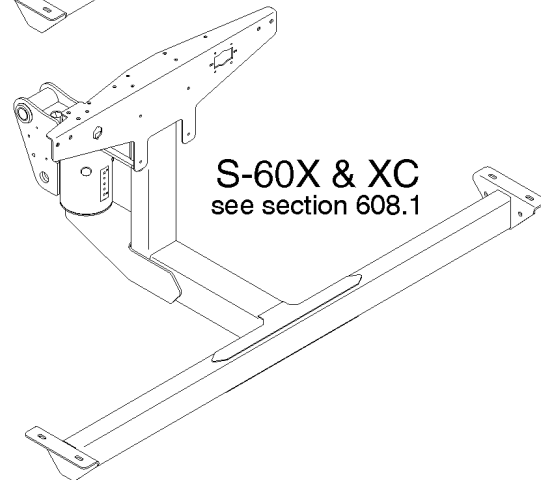
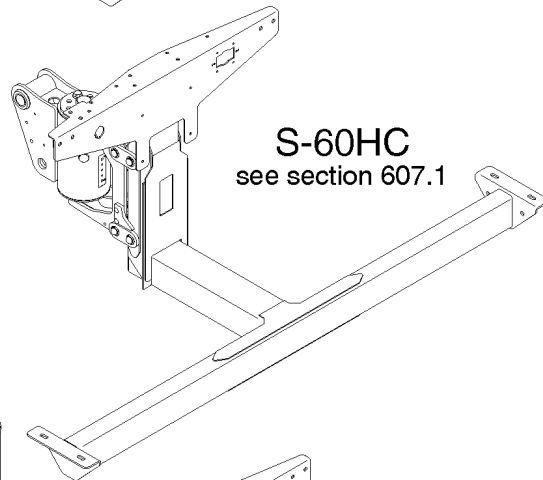
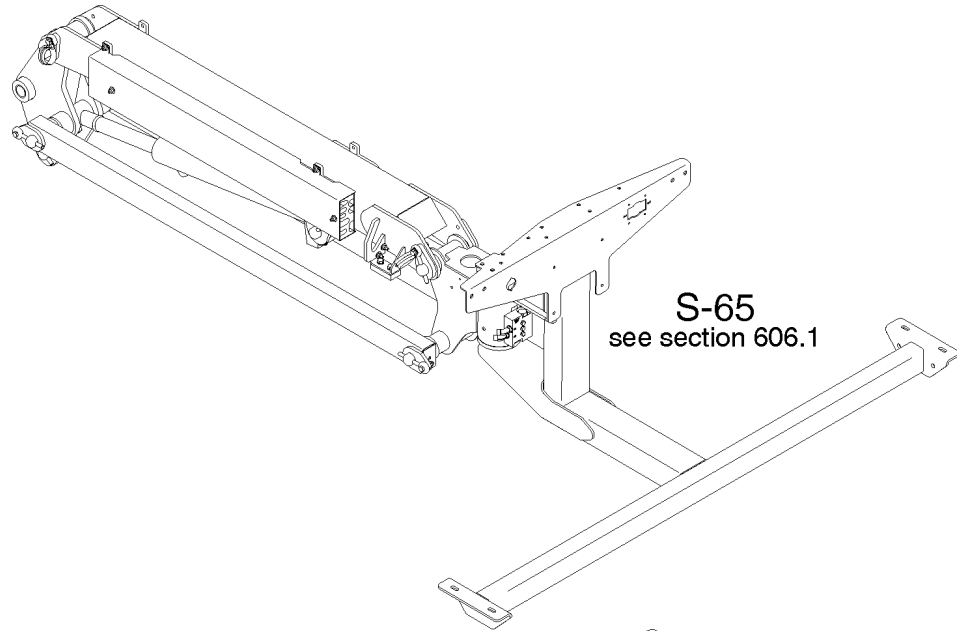
Figure 604.1
Boom #1 Limit Switch



604.1 Boom Limit Switch - S-60X, S-60XC and S-60 TraX (ANSI)

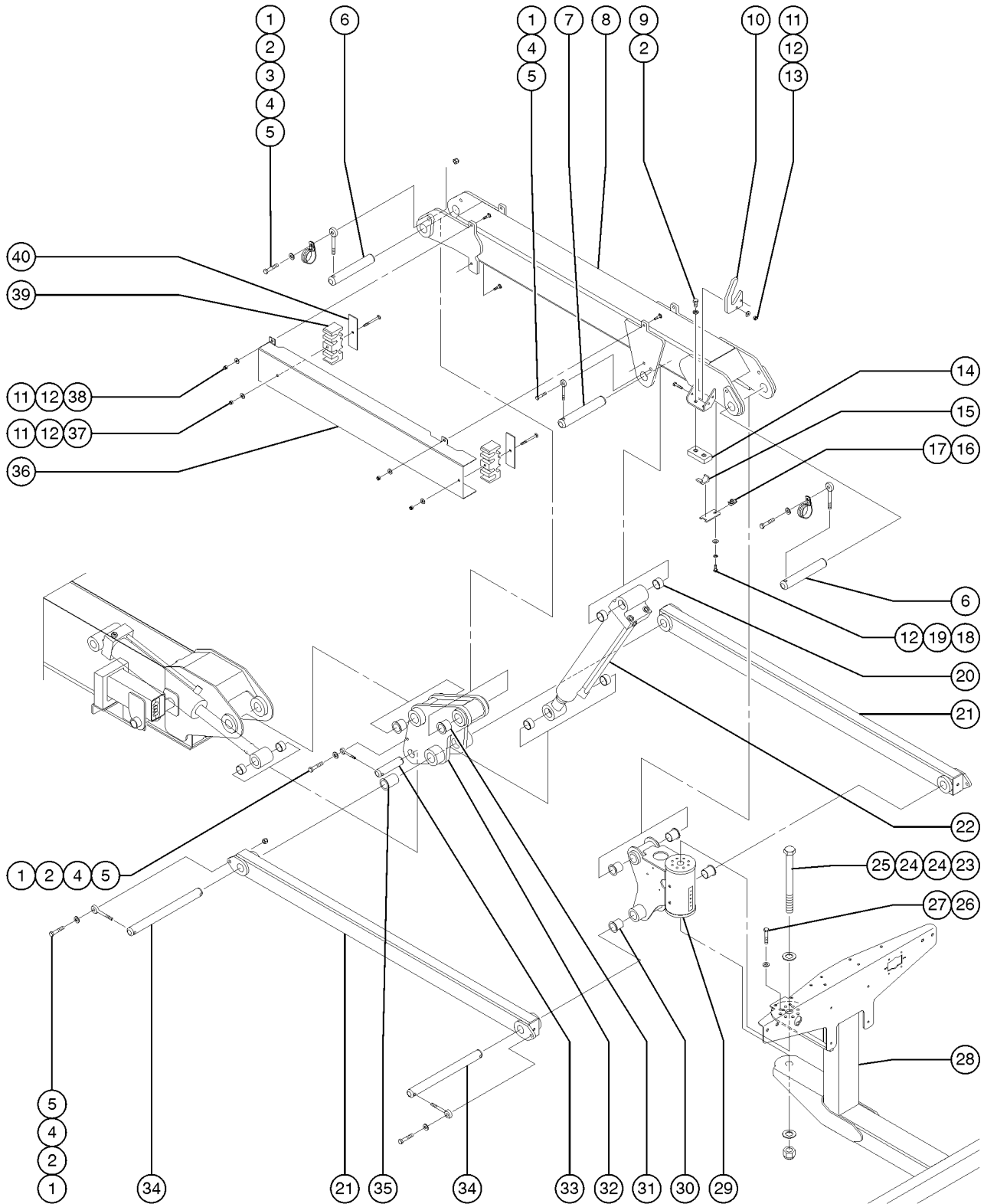
Item	Part No.	Description	Qty.
1	45470	CLAMP,0.31,#5 X 1/4,RUB CUSH....1	
2	56361	CABLE TIE,BUTTON,BLACK,14.75LG.....3	
3	6019	SCREW,HHC,3/8-16 X 1.25 GRD 5.....2	
4	6021	WASHER,LOCK,.375.....2	
5	47222	WASHER,SHOULDER,NYLON.....2	
6	T112459	SPRING,0.984"OD X 1.50"LG.....1	
7	13918	SCREW,HHC,3/8-16 X 1.75,GRD.8.....2	
8	5397	WASHER,FLAT,USS,5/16",Y.....4	
9	4828	NUT,NYLOCK,3/8-16.....2	
10	6782	NUT,NYLOCK,5/16-18.....1	
11	147504	COVER, LIMIT SWITCH ARM MOUNT.....1	
12	147578	SCREW,SHC,3/8 X 1.75 SHOULDER.....1	
13	T106385	SCREW,PHILLIPS,PHM,8-32 X 1.00.....4	
14	18605	NUT,NYLOCK,8-32.....4	
15	139644-14B61	LIMIT SWITCH,BLUE,MICRO.....2	
16	T106385	SCREW,PHILLIPS,PHM,8-32 X 1.00.....2	
17	6091	NUT,NYLOCK,1/4-20.....2	
18	6638	WASHER,FLAT,USS,1/4"Y	
19A	230072	KIT, LIMIT SWITCH ARM.....1 <i>to SN 22586 (upgrade) (includes new items 14, 16 to 21)</i>	
19B	230329	WELDMENT, LIMIT SWITCH ARM.....1 <i>from SN 22587</i>	
20A	230072	KIT, LIMIT SWITCH ARM.....1 <i>to SN 22586 (upgrade) (includes new items 14, 16 to 21)</i>	
20B	230331	WEARPAD, LIMIT SWITCH GUIDE.....1 <i>from SN 22587</i>	
21	6145	SCREW,HHC,1/4-20 X 1.5.....2	

605.1 Boom End Components



Item	Part No.	Description	Qty.
--	122944	SEAL KIT,8K ROTATOR***	
--	88516	SCREW,BLEEDER,M5X0.8	
1A	88576	ROTATOR,HELICAL,PLAT***1 <i>Includes item 2; S-60 CE only</i>	
2	30370	BEARING,1.25IDX1.5ODX1.00L.....4	
3	T108075	PIN,1.25DIAX5.25LG,1HOLE.....1	
4	45226	ROD END,.375 X 3.69	
5	6175	SCREW,HHC,3/8-16 X 1	
6	4828	NUT,NYLOCK,3/8-16	
7	25683	BEARING,POLYGON,20DU12.....4	
8	63566	CYLINDER,PLATFORM LEVEL ***1 <i>Includes item 7</i>	
--	101254	SEAL KIT (63566)	
--	77303	VALVE,CNTRBAL 3500PSI,ATM VEN	
9	T111124	PIN,1.25DIAX8.42LG,2RING.....1 <i>(replaced 88345 at 21174)</i>	
10	30217	SNAP RING,EXTERNAL,1.25 DIA. **4	
11	30255	WASHER,SHIM,1.27 X 2.13 X .062.....as-needed	
12	88870	PIN,1.25DIAX7.47LG,2RING.....1	

606.1 Boom End Components - S-65

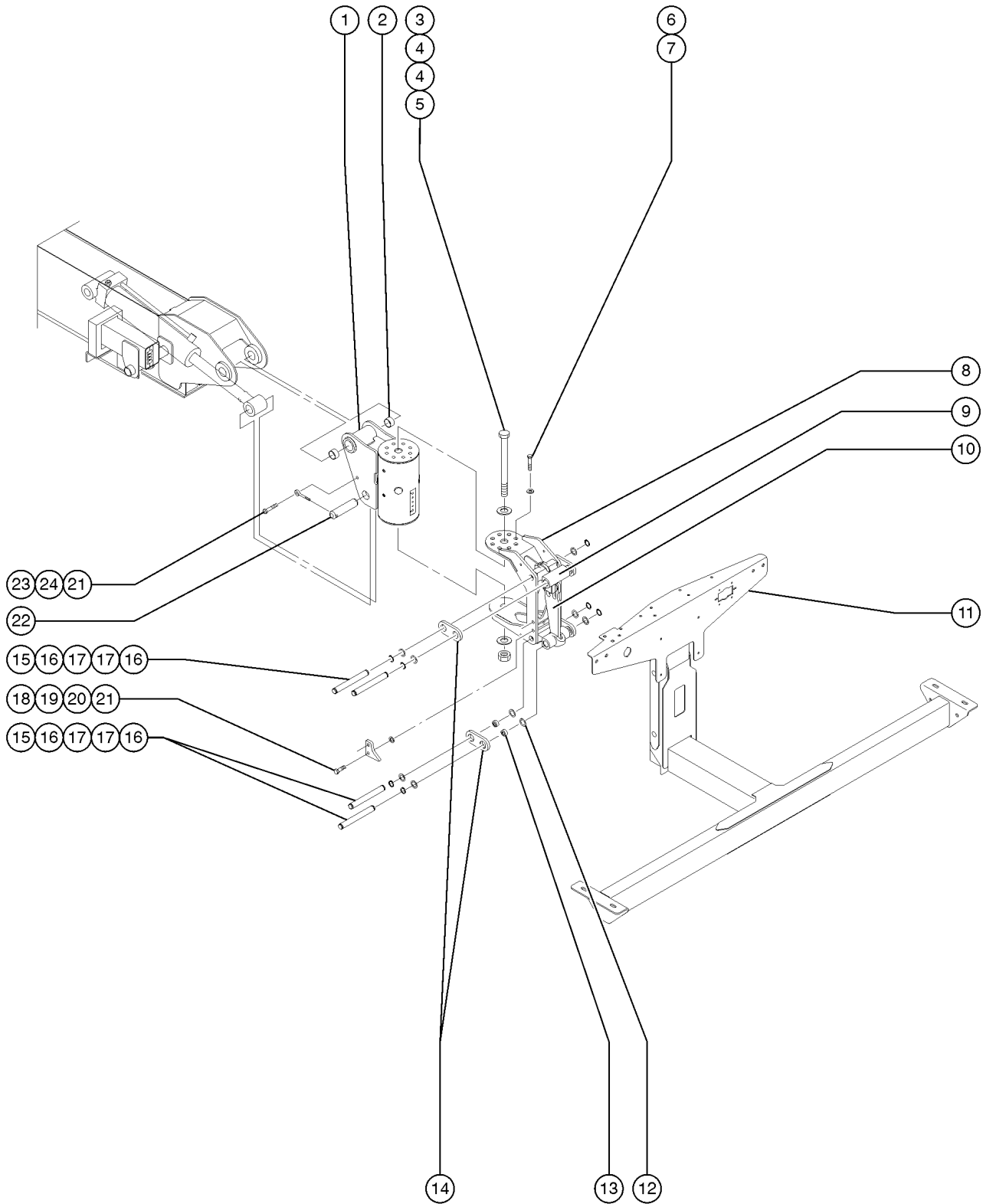


606.1 Boom End Components - S-65

Item	Part No.	Description	Qty.	Item	Part No.	Description	Qty.
1	6175	SCREW,HHC,3/8-16 X 1		--	75395	BEARING KIT,PLAT ROTATOR,SUPER for 94397	
2	6021	WASHER,LOCK,.375		--	88516	SCREW,BLEEDER,M5X0.8 for 94397	
3	77181	CLAMP,1.63,#26 X 3/8,RUB CUSH.....	2	30	30222	BEARING,FL,1.25IDX1.41ODX1.50L.4	
4	45226	ROD END,.375 X 3.69		31	35675	BEARING,FL,1.25IDX1.5ODX1.25L.4	
5	4828	NUT,NYLOCK,3/8-16		32	101244	BELLCRANK W/BEARINGS(S60)....1 includes item 31 and 35	
6	T108076	PIN,1.25DIAX7.88LG,1HOLE.....	2	33	T108075	PIN,1.25DIAX5.25LG,1HOLE.....	1
7	T108077	PIN,1.25DIAX7.00LG,1HOLE.....	1	34	81175	PIN,1.25DIAX14.45LG,2HOLE.....	2
8	128534	JIB BOOM ASSY W/WORD DECAL.....	1	35	128268	BEARING,FL, 1.25X1.5X2.13.....	2
--	T108892	JIB BOOM ASSY W/SYMBOL DECAL South America, Asia and Europe models		36	128454P	COVER, JIB HOSES/CABLES.....	1
9	8255	SCREW,HHC,3/8-16 X .75		37	128724	BOLT,CARRIAGE,1/4-20 X 2.75,G2.....	2
10	128482	HOSE GUIDE, JIB.....	1	38	79456	BOLT,CARRIAGE,1/4-20 X 1.00,G2.....	4
11	6091	NUT,NYLOCK,1/4-20		39	824551	CLAMP,HOSE/CABLE,JIB.....	2
12	6638	WASHER,FLAT,USS,1/4"Y		40	128483	BACKING PLATE, HOSE BLOCK, JIB.....	2
13	8915	SCREW,HHC,1/4-20 X 1.25					
14	81640	WEAR PAD,3 X 1.5 X.625 W/NUTS					
15	119542	CLAMP,TWO HOSE.....	1				
16	56912	SPRING CLIP,1/4-20,.025-.15X.5.....	1				
17	119536	BRACKET,HOSE CLAMP.....	1				
18	6090	SCREW,HHC,1/4-20 X .75					
19	6356	WASHER,LOCK,.25					
20	25683	BEARING,POLYGON,20DU12.....	4				
21	61306-S	COMPR.LINK,MACHINED,GND CONTR*.....	2				
22	63213	CYLINDER,JIB (STICK BOOMS)....1 includes item 20					
--	33428	VALVE,COUNTERBALANCE					
--	63353	SEAL KIT,CYL,S65 (63213)					
23	73928	SCREW,HHC,1-8 X 11,GRD 5***.....	1				
24	122079	WASHER,FLAT,1.000,HARDENED..	2				
25	29764	NUT,NYLOCK,1-8.....	1				
26	77692	SCREW,HHC,3/8-16 X 1 GRD 8.....	8				
27	6097	WASHER,FLAT,USS,3/8",Y.....	8				
28	60370-S	PLATFORM SUPPORT WELDMNT-SERV*.....	1				
29	94397	ROTATOR,PLAT JIB,160 DEG***.....1 includes item 30					
--	122944	SEAL KIT,8K ROTATOR*** for 94397					



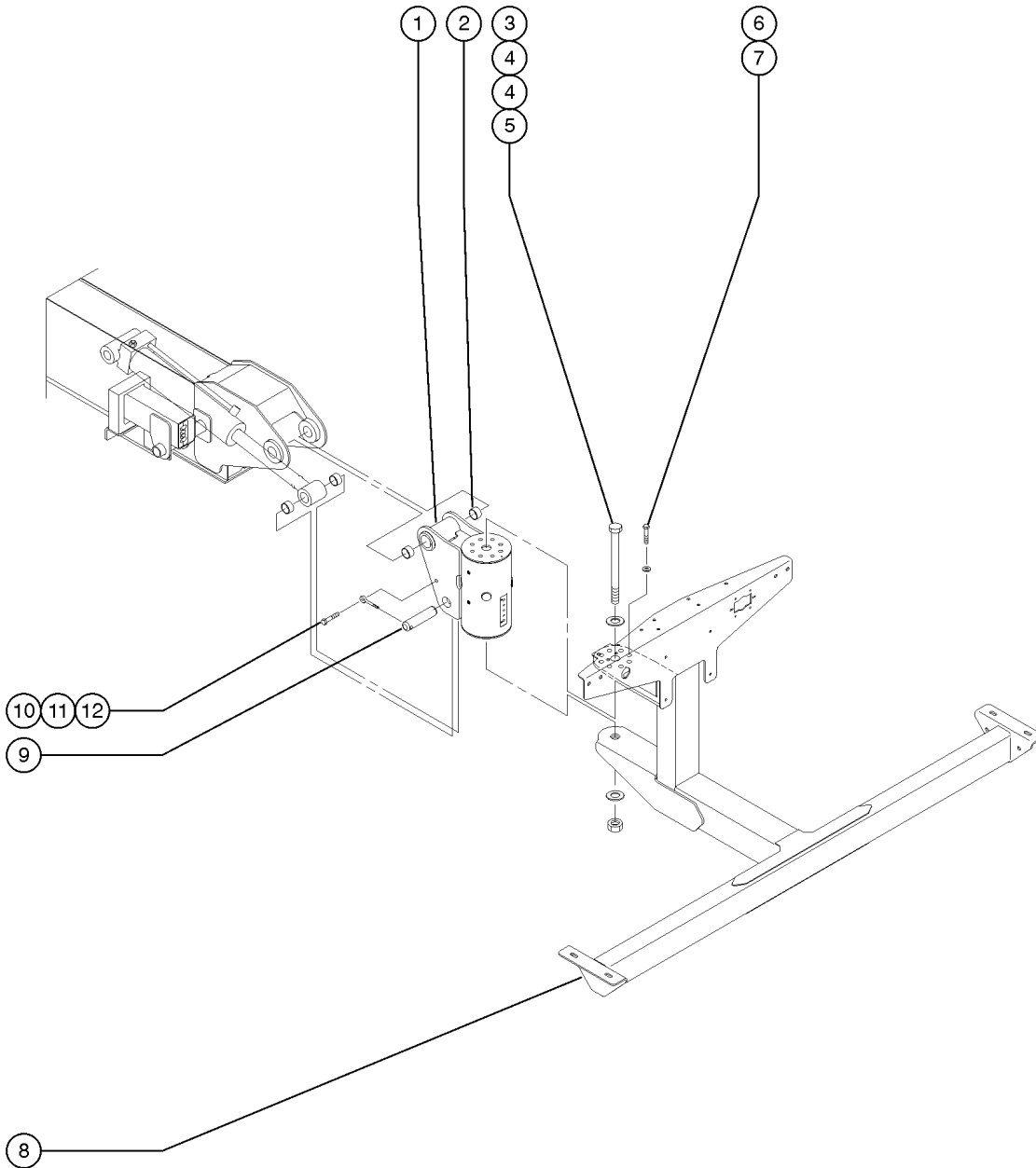
607.1 Boom End Components - S-60 HC



607.1 Boom End Components - S-60 HC

Item	Part No.	Description	Qty.
1	226541	ROTATOR,PLATFORM,15K.....1 <i>includes item 2</i>	
--	147370	SEAL KIT,15K ROTATOR <i>for 107836; to SN 21918</i>	
--	226542	SEAL KIT, 15K ROTATOR <i>for 226541; from SN 21919</i>	
2	30370	BEARING,1.25IDX1.5ODX1.00L.....2	
3	74255	SCREW,HHC,1-8 X 12.75.....1	
4	122079	WASHER,FLAT,1.000,HARDENED..2	
5	123143	NUT,NYLOCK,1-8,GR8.....1	
6	123663	SCREW,HHC,1/2-13X1.25,GR8,Y...8	
7	13066	WASHER,FLAT,.5 HARDENED.....8	
8	107564	WELDMENT,ROTATOR MOUNT.....1	
9	119230	MACH,PLATE,LOAD SUPPORT.....1	
10	106766	LOAD CELL FLEXURE.....2	
11	106399	WELDMENT,PLATFORM SUPPORT.....1	
12	110789	WASHER,SHIM .0151 THK.....as-needed	
13	25685	BEARING,GARLOCK,12FDU12.....8	
14	110784	MACHINED,LOAD CELL LINK.....1	
--	45748	ROD END,.250 X 2.75 LG	
15	110785	PIN,.75DIA X 6.38 LG,2RING.....4	
16	10262	SNAP RING,EXTERNAL,.75 DIA....8	
17	6563	WASHER,SHIM,.75 X 1.125 X.030.....as-needed	
18	8516	SCREW,HHC,3/8-16 X 1.50,GR5....2	
19	139248	MACH.,PLATE,STOP.....2	
20	7268	WASHER,SHIM,.375 X.625X.033 ST.....4	
21	4828	NUT,NYLOCK,3/8-16.....2	
22	T108075	PIN,1.25DIA X 5.25LG,1HOLE.....1	
23	6175	SCREW,HHC,3/8-16 X 1.....1	
24	45226	ROD END,.375 X 3.69.....1	

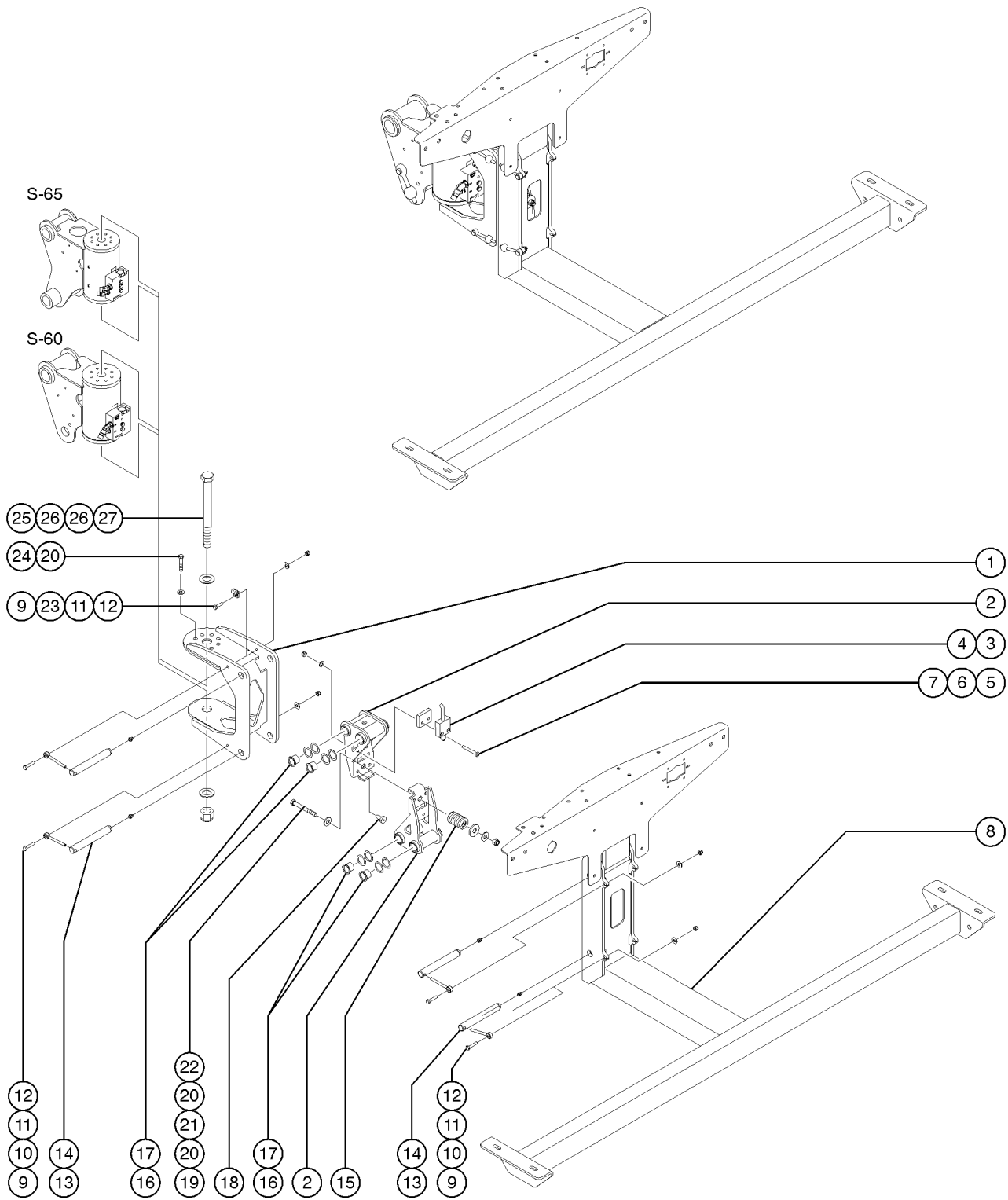
608.1 Boom End Components - S-60X and S-60XC



608.1 Boom End Components - S-60X and S-60XC

Item	Part No.	Description	Qty.
1	226541	ROTATOR,PLATFORM,15K.....1 <i>includes item 2</i>	
--	147370	SEAL KIT,15K ROTATOR <i>for 107836; to SN 21918</i>	
--	226542	SEAL KIT, 15K ROTATOR <i>for 226541; from SN 21919</i>	
2	30370	BEARING,1.25IDX1.5ODX1.00L.....2	
3	74255	SCREW,HHC,1-8 X 12.75.....1	
4	122079	WASHER,FLAT,1.000,HARDENED..2	
5	123143	NUT,NYLOCK,1-8,GR8.....1	
6	123663	SCREW,HHC,1/2-13X1.25,GR8,Y...8	
7	13066	WASHER,FLAT,.5 HARDENED.....8	
8A	147347	WELDMENT, PLAT SUPPORT.....1 <i>6ft and 8ft platforms</i>	
8B	234242	WDMT,4FT/5FT PLAT. SUPPORT,15K.....1 <i>4ft and 5FT Platforms</i>	
9	T108075	PIN,1.25DIAX5.25LG,1HOLE.....1	
10	8516	SCREW,HHC,3/8-16 X 1.50,GR5.....1	
11	45226	ROD END,.375 X 3.69.....1	
12	4828	NUT,NYLOCK,3/8-16.....1	

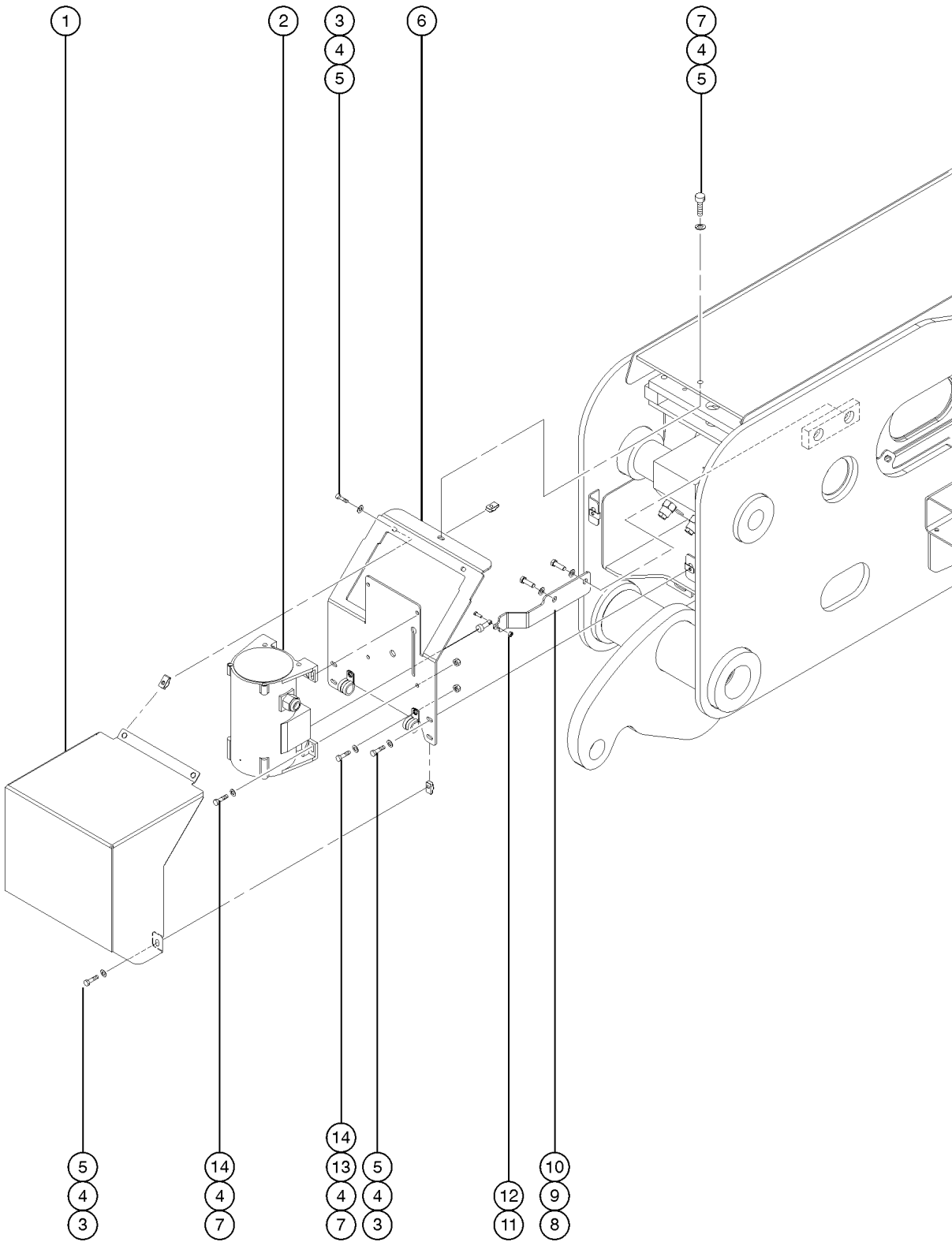
609.1 Boom End Components - S-60 and S-65 CE Load Sense



609.1 Boom End Components - S-60 and S-65 CE Load Sense

Item	Part No.	Description	Qty.
1	101845	ROTATOR MOUNT KIT.....	1
--	61804	WELDMENT,ROTATOR SUPPORT	
2	89755	LOAD SUPPORT W/BEARINGS.....	2
3	121848	ASSY,LS,LOAD SENSE,38.5 IN.....	1
4	61972	MOUNT,SWITCH.....	1
5	73634	SCREW,PHIL,PHM,10-24X1.5 ZINC.....	2
6	6146	WASHER,FLAT,MS,#10,Y.....	2
7	5365	NUT,NYLOCK,10-24.....	2
8A	60370-S	PLATFORM SUPPORT WELDMNT-SERV*.....	1
		<i>ANSI models</i>	
8B	61997	WELDMENT,PLATFORM SUPPORT,CE.....	1
		<i>CE models</i>	
8C	94326	WELDMENT,4/5FT PLATFORM SUPPOR.....	1
		<i>4 ft. & 5 ft. platforms only</i>	
9	6888	SCREW,HHC,1/4-20 X 1	
10	45748	ROD END,.250 X 2.75 LG	
11	6638	WASHER,FLAT,USS,1/4"Y	
12	6091	NUT,NYLOCK,1/4-20	
13	61726	PIN,0.75DIA X 5.75LG,CHAMFER.....	4
14	94643	ZERK,GREASE,5/16-24,STRAIT.....	4
15	61974	SPRING,COMP,1" OD,232 LB/IN.....	1
16	25685	BEARING,GARLOCK,12FDU12.....	8
17	110789	WASHER,SHIM .0151 THK.....	as-needed
18	34619	BUMPER,RUBBER***	2
19	21604	SCREW,HHC,3/8-16 X 3.25	
20	6097	WASHER,FLAT,USS,3/8",Y	
21	61975	RETAINER,SPRING,1.21 X .375.....	1
22	4828	NUT,NYLOCK,3/8-16	
23	45470	CLAMP,0.31,#5 X 1/4,RUB CUSH....	1
24	77692	SCREW,HHC,3/8-16 X 1 GRD 8.....	8
25	73928	SCREW,HHC,1-8 X 11,GRD 5***.....	1
26	122079	WASHER,FLAT,1.000,HARDENED..	2
27	29764	NUT,NYLOCK,1-8.....	1

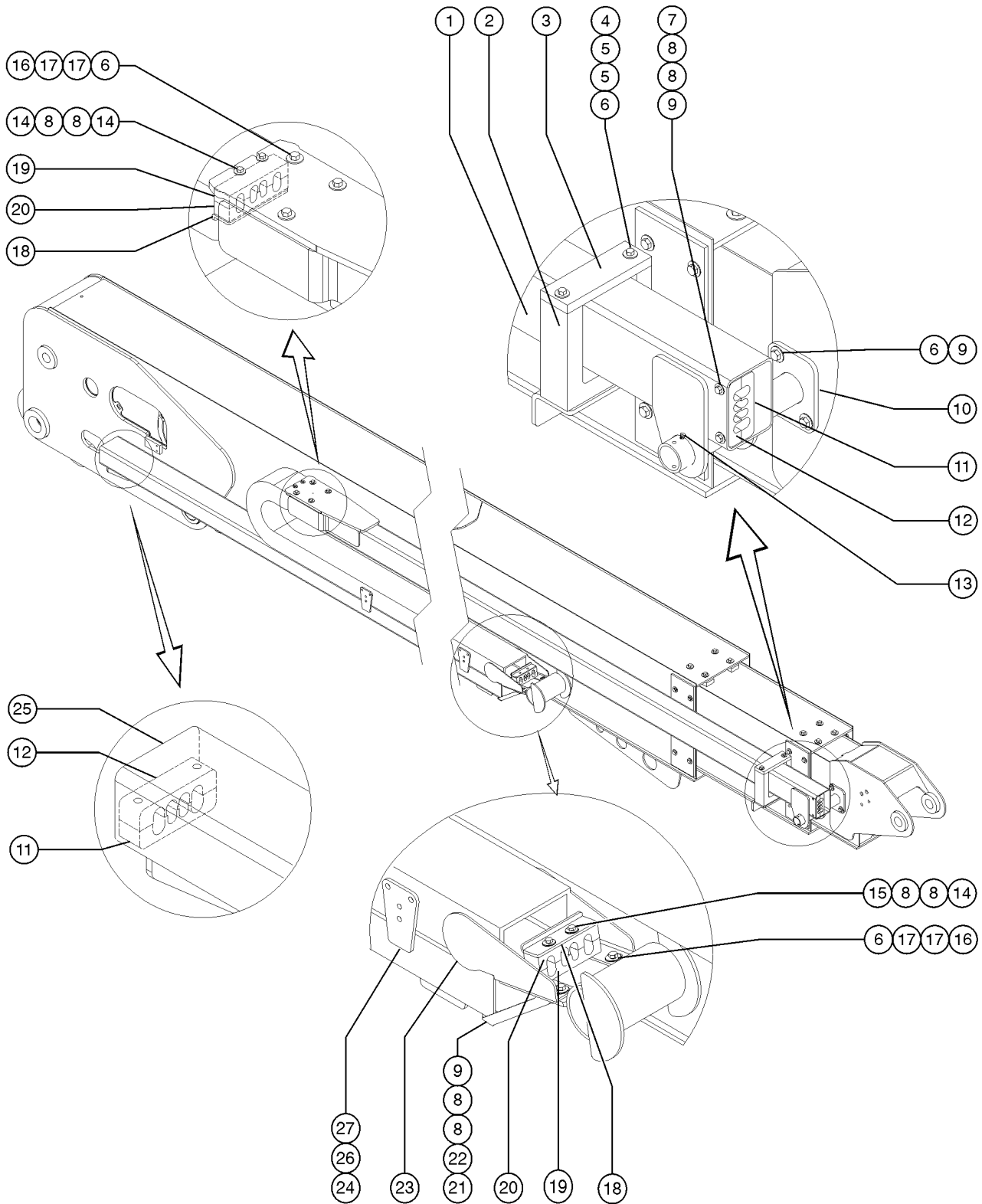
610.1 S-60 HC Primary Boom Components



610.1 S-60 HC Primary Boom Components

Item	Part No.	Description	Qty.
1	119537	COVER, STRING POT, S60HC.....1	
2	139293	POSITION TRANSDUCER,LINER,2CH.....1	
3	6090	SCREW,HHC,1/4-20 X .75	
4	6638	WASHER,FLAT,USS,1/4"Y	
5	56912	SPRING CLIP,1/4-20,.025-.15X.5.....4	
6	119535	MOUNT, STRING POT, S60HC.....1	
7	6888	SCREW,HHC,1/4-20 X 1	
8	139307	FORMING, CABLE ANCHOR.....1	
9	6021	WASHER,LOCK,.375	
10	6019	SCREW,HHC,3/8-16 X 1.25 GRD 5	
11	49826	SCREW,PHILLIPS,PHM,10-32 X .625	
12	6178	NUT,NYLOCK,10-32	
13	45454	CLAMP,RUB CUSH,0.75,#12 X 3/8*2	
14	6091	NUT,NYLOCK,1/4-20	

611.1 Cable Track (to SN 22585)

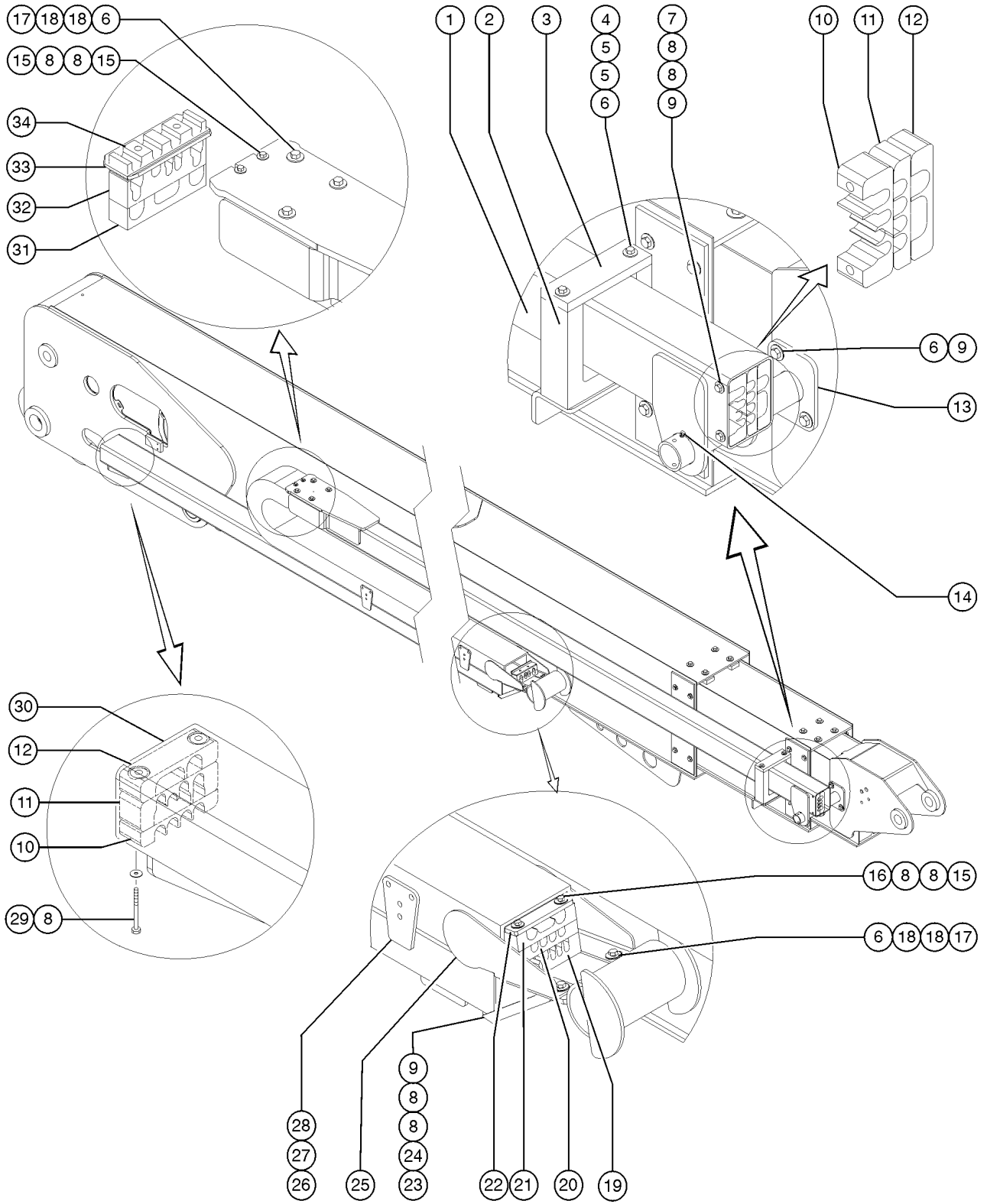


611.1 Cable Track (to SN 22585)

Item	Part No.	Description	Qty.	Item	Part No.	Description	Qty.
1	88859	WELDMNT,CABLE TRACK TUBE***	1	--	58309	ROLLER,POLY,STEEL TRACK*** <i>for 88705</i>	
2	81341	WEAR PAD,CABLE TRACK PULL TUBE	1	--	58310	SCREW,10-24 X.5 TORX PAN HD*** <i>for 58308</i>	
3	81342	WEAR PAD,5.5 X 1.75 X .5	1	--	77896	ASSY,FOUR LINK CABLE TRACK*** <i>FOR 88705</i>	
4	81777	SCREW,HHC,3/8-16 X 7		23B	226327	KIT, CABLE TRACK, S60/65 <i>(use for replacement of 88705) to SN 22585</i>	
5	6097	WASHER,FLAT,USS,3/8",Y		24	70264	CABLE TRACK GUIDE TRIANGLE	10
6	4828	NUT,NYLOCK,3/8-16		--	58310	SCREW,10-24 X.5 TORX PAN HD*** <i>for 70264</i>	
7	8179	SCREW,HHC,1/4-20 X 2.25		25	88858	WELDMNT,CABLE TRACK TRAY***	1
8	6638	WASHER,FLAT,USS,1/4"Y		26	39317	STOP PLATFORM ROLLER	
9	6091	NUT,NYLOCK,1/4-20		27	87085	RIVET,ALUM,P,.188 X .25	
10	81347	WELDMNT,TRACK PULL TUBE PIVOT	1				
11	139790	CLAMP, PULL TUBE					
12	88514	CABLE STAY, TOP***	2				
13	13635-10	PIN,COTTER,.156 X 1.75	1				
14	6884	SCREW,HHC,1/4-20 X 2.5					
15	6889	NUT,LP NYLOCK,1/4-20					
16	6019	SCREW,HHC,3/8-16 X 1.25 GRD 5					
17	6097	WASHER,FLAT,USS,3/8",Y					
18	107868	PLATE,REINFORCED CLAMP STACK	1				
19	119838	CLAMP, HOSE, PRIM	2				
20	139791	CLAMP, CABLE TRACK, SUPPORT					
21	119974	FORMING, TRACK BRACE, RH <i>inboard bracket; closest to boom tube</i>					
21	119975	FORMING, TRACK BRACE, LH <i>outboard bracket; furthest from boom tube (shown)</i>	1				
22	6090	SCREW,HHC,1/4-20 X .75					
23A	88705	CABLE TRACK,STEEL 49 LINKS*** <i>no longer available, use kit 226327</i>	1				
--	102215	BRACKET,CABLE TRACK,FIXED END* <i>for 88705</i>					
--	102216	BRACKET,CABLE TRACK,MOVING END <i>for 88705</i>					
--	106154	KIT,PIN & RING*** <i>for 88705</i>					
--	231653	KIT,CABLE TRAK FLAT BAR <i>for 88705</i>					
--	58308	ROLLER,ALUM TUBE,ST.TRK*** <i>for 58309</i>					



611.2 Cable Track (from SN 22586)

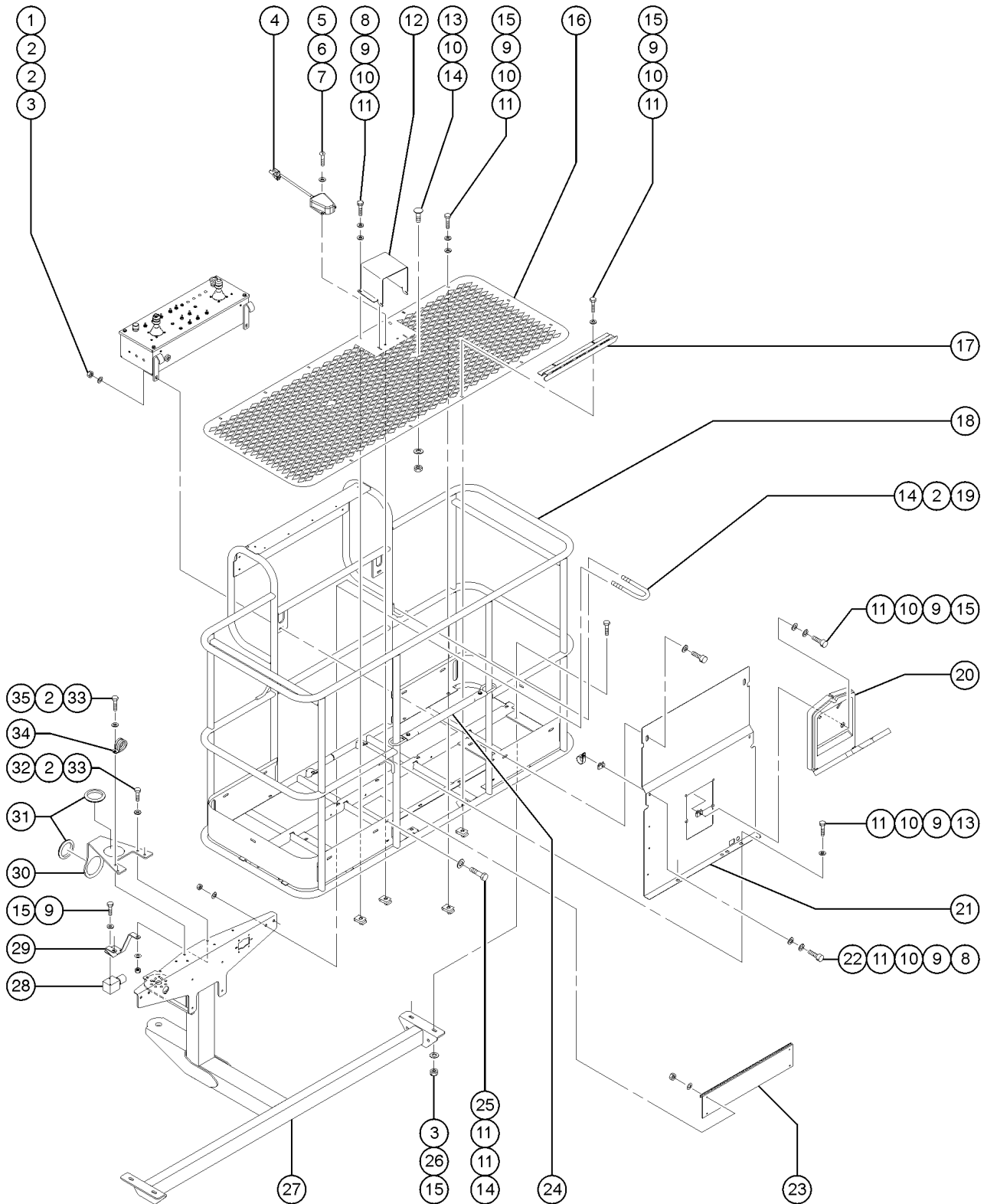


611.2 Cable Track (from SN 22586)

Item	Part No.	Description	Qty.	Item	Part No.	Description	Qty.
1	88859	WELDMENT,CABLE TRACK TUBE***	1	--	122662	END BRACKET,MOVING END for T114223	
2	81341	WEAR PAD,CABLE TRACK PULL TUBE	1	--	122663	END BRACKET,FIXED END for T114223	
3	81342	WEAR PAD,5.5 X 1.75 X .5	1	--	122668	GUIDE FINGER,PLASTIC for T114223	
4	81777	SCREW,HHC,3/8-16 X 7		--	218448	FINGER,GUIDE,CABLE TRACK for T114223	
5	6097	WASHER,FLAT,USS,3/8",Y		--	229169	FLATBAR, CLAMPS, CABLE TRACK for T114223	
6	4828	NUT,NYLOCK,3/8-16		26	70264	CABLE TRACK GUIDE TRIANGLE	10
7	8179	SCREW,HHC,1/4-20 X 2.25		--	58310	SCREW,10-24 X.5 TORX PAN HD*** for 70264	
8	6638	WASHER,FLAT,USS,1/4"Y		27	39317	STOP PLATFORM ROLLER	
9	6091	NUT,NYLOCK,1/4-20		28	87085	RIVET,ALUM,P,.188 X .25	
10A	227307	CLAMP, CABLES to SN 26286	2	29	12343	SCREW,HHC,1/4-20 X 3	
10B	824547	CLAMP, CABLES from SN 26287	2	30	88858	WELDMENT,CABLE TRACK TRAY***	1
11	227308	CLAMP, HOSES	2	31	228969	CLAMP, OPTIONS, CABLE TRACK (weld cable option)	1
12	227306	ASSY, CLAMP, OPTIONS (weld cable option)	2	32	824549	CLAMP, CABLES	1
13	81347	WELDMENT,TRACK PULL TUBE PIVOT	1	33	121065	FORMING,CLAMP,TOP,CABLE TRACK	1
14	13635-10	PIN,COTTER,.156 X 1.75	1	34	228967	CLAMP, CABLE	1
15	6884	SCREW,HHC,1/4-20 X 2.5					
16	6889	NUT,LP NYLOCK,1/4-20					
17	6019	SCREW,HHC,3/8-16 X 1.25 GRD 5					
18	6097	WASHER,FLAT,USS,3/8",Y					
19A	226325	CLAMP, HOSES to SN 26286	1				
19B	824548	CLAMP, CABLES from SN 26287	1				
20	226326	CLAMP, CABLES	1				
21	228796	CLAMP, OPTIONS, CABLE TRACK (weld cable option)	1				
22	228797	BAR, CLAMP, CABLE TRACK	1				
23A	119975	FORMING, TRACK BRACE, LH outboard bracket; furthest from boom tube (shown)	1				
23B	119974	FORMING, TRACK BRACE, RH inboard bracket; closest to boom tube	1				
24	6090	SCREW,HHC,1/4-20 X .75					
25	T114223	CABLE TRACK, SX, 49 LINK	1				
--	121065	PIN,1.250 X 9.25, 2 RINGS for T114223					



701.1 Platform Installation

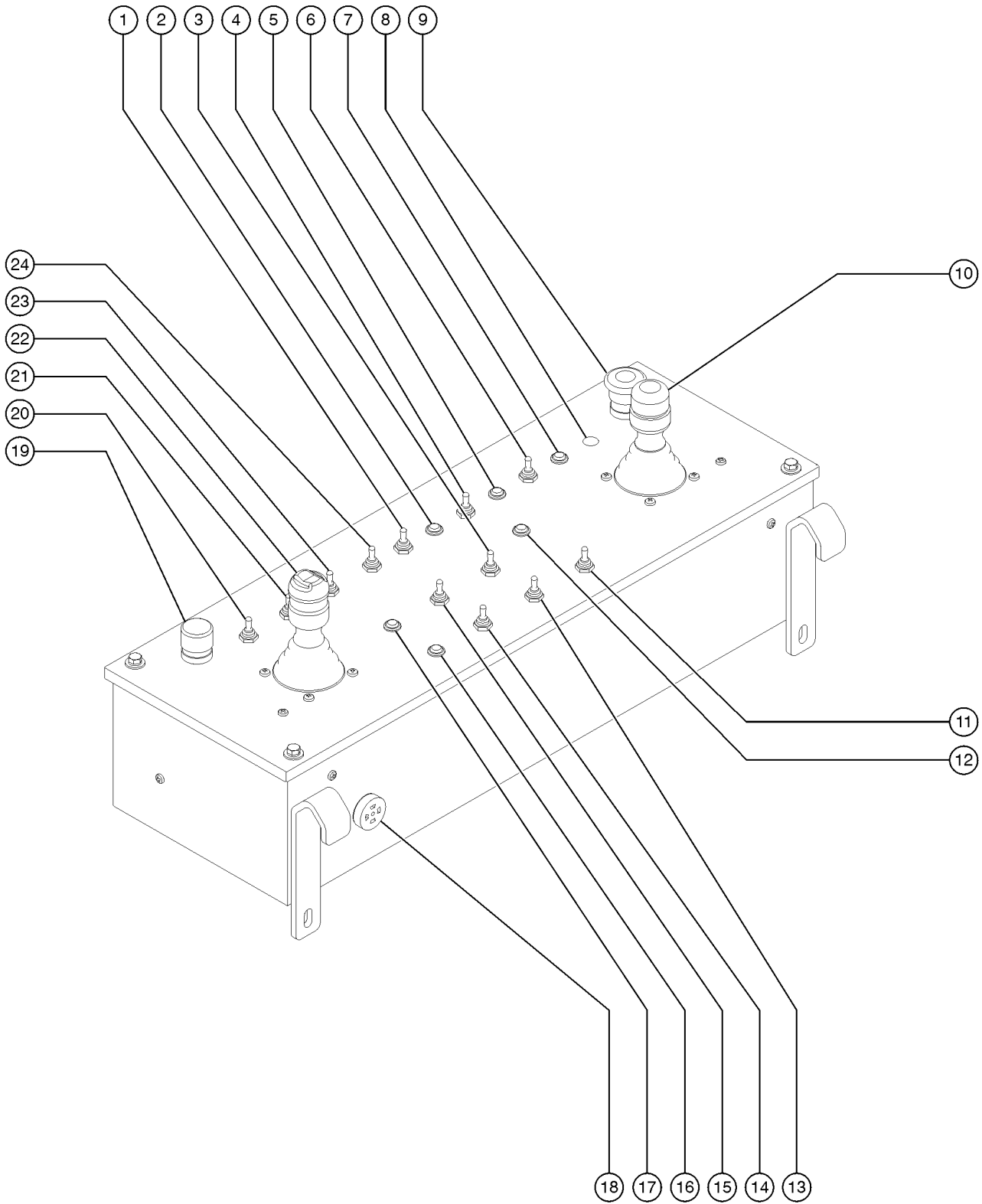


701.1 Platform Installation

Item	Part No.	Description	Qty.	Item	Part No.	Description	Qty.
1	7713	NUT,LP NYLOCK,3/8-16		18D	160804	ASSY,8FT PLATFORM,NO DECALS.....1	
2	5397	WASHER,FLAT,USS,5/16",Y				<i>decals not included, refer to section 100</i>	
3	6019	SCREW,HHC,3/8-16 X 1.25 GRD 5		19	122755	UBOLT,FLATTENED,1.5DIA X 3/8 UNC	
4A	73233	ASSEMBLY,FOOT SWITCH***.....1 <i>(to SN 22415)</i>		20	24514	BOX,INSTRUCTION STORAGE.....1 <i>decals not included, refer to section 100</i>	
4B	228466	KIT, FOOTSWITCH, S40/S60/S80...1 <i>upgrade kit (to SN 22415)</i>		21A	73574P	PLATE,PLATFORM DECALS***.....???	
--	227516	ASSEMBLY,FOOT SWITCH <i>for kit PN 228466</i>				<i>decals not included, refer to section 100</i>	
4C	1254874	ASSEMBLY,FOOT SWITCH, S60.....1 <i>(from SN 22416)</i>		22	56424	CLAMP,1.25X.5 RUBBER-CUSHION	
5	73587	SCREW,PHIL,10-24 X .75		23	94745P	TOEBOARD,ENTRY EUROPEAN PNTD**.....1	
6	6607	WASHER,LOCK,#10 PLTD		24	102992	SLIDING MIDRAIL KIT,PTD.....1	
7	73575	SPRING CLIP,10-24,ZINC		25	6091	NUT,NYLOCK,1/4-20	
8	6888	SCREW,HHC,1/4-20 X 1		26	6097	WASHER,FLAT,USS,3/8",Y	
9	6356	WASHER,LOCK,.25		27	Ref.	Ref: Platform Support <i>refer to section 600 for platform support part information</i>	
10	6638	WASHER,FLAT,USS,1/4"Y		28	Ref.	Ref: Jib Manifold <i>refer to section 404.1</i>	
11	56912	SPRING CLIP,1/4-20,.025-.15X.5		29	110671	PLATE,JIB,ROTATE MANIFOLD.....1	
12	147121	COVER, FOOT SWITCH, LARGE....1 <i>decals not included, refer to section 100</i>		30	106163	FORMING,CABLE GUIDE.....1	
13	54274	SCREW,STEP BOLT,1/4-20 X .75		31	55067	GROMMET,RUBBER 3 X .19 X 3.5.....2	
14	4828	NUT,NYLOCK,3/8-16		32	13002	SCREW,HHC,5/16-18 X 1 GR5	
15	6090	SCREW,HHC,1/4-20 X .75		33	6782	NUT,NYLOCK,5/16-18	
16A	60160P	FLOORING,4 FT PLATFORM,PAINTED.....1		34	77180	CLAMP,1.31,#21 X 3/8,RUB CUSH.....1	
16B	54247P	FLOORING,5 FT PLATFORM,PAINTED.....1		35	13000	SCREW,HHC,5/16-18 X 1.25	
16C	73477P	FLOORING, 6'FT PLATFORM.....1					
16D	73478P	FLOORING,8 FT PLATFORM**.....1					
17	73610	STEP PLATFORM ENTRY***.....1					
18A	161541	ASSY,4FT PLATFORM, NO DECALS.....1					
		<i>decals not included, refer to section 100</i>					
18B	161542	ASSY,5FT PLATFORM, NO DECALS.....1					
		<i>decals not included, refer to section 100</i>					
18C	160809	ASSY,6FT PLATFORM,NO DECALS.....1					
		<i>decals not included, refer to section 100</i>					



702.1 Platform Control Box - View 1



702.1 Platform Control Box - View 1

Item	Part No.	Description	Qty.	Item	Part No.	Description	Qty.
--	128578	SCREW T-SWITCH PH/PH 6-32X1/4 <i>(included in each toggle switch assembly)</i>		--	128580	SWITCH TOGGLE SPDT 3P MOM SHDR	
--	27246	BOOT,TOGGLE SWITCH,SHORT* <i>(included in each toggle switch assembly)</i>		6B	229567	PLUG, SANTOPRENE .5 BLACK DOME.....1 <i>(S-60, S-65)</i>	1
1	128201	SWITCH TOGGLE ASSY DPDT 2P MOM.....1 <i>(Auxiliary Power; includes boot and hardware)</i>	1	7A	110395	LIGHT,HI-BRITE AMBER 12V.....1 <i>(lower capacity range) (S-60X, S-60TX, S-60XC, S-60HC)</i>	1
--	128581	SWITCH TOGGLE DPDT 2P MOM SHDR		--	56848	WASHER,LOCK,IND,LAMP RETAINER	
2A	824879	LIGHT,LED IND. RED 12V NH.....1 <i>(Machine not level indicator) (option)</i>	1	7B	229567	PLUG, SANTOPRENE .5 BLACK DOME.....1 <i>(S-60, S-65)</i>	1
--	824879	LIGHT,LED IND. RED 12V NH		8	229567	PLUG, SANTOPRENE .5 BLACK DOME.....1 <i>(used for optional equipment)</i>	1
2B	229567	PLUG, SANTOPRENE .5 BLACK DOME.....1 <i>(without option)</i>	1	9	66812	BUTTON,PUSH,RED MUSHROOM HEAD.....1	1
3A	128200	SWITCH TOGGLE ASSY SPDT 3P MOM.....1 <i>(Glow Plug; diesel models; includes boot and hardware)</i>	1	--	146478	BOOT(BELLOWS),E-STOP,BLACK <i>(from SN 21191)</i>	
--	128580	SWITCH TOGGLE SPDT 3P MOM SHDR		--	66818	CONTACT,NC	
3B	229567	PLUG, SANTOPRENE .5 BLACK DOME.....1 <i>(Gas/LPG models)</i>	1	--	94506	BASE,W/3 NC CONTACTS	
4A	128204	SWITCH TOGGLE ASSY SPDT 2P MNT.....1 <i>(Generator) (option)</i>	1	10	139338	SCREW PH M5-0.8X20 DIN 7500CE.....4	4
--	128584	SWITCH TOGGLE SPDT 2P MNT SHDR		10	Ref.	JOYSTICK.....1 <i>refer to section 704.1</i>	1
4B	229567	PLUG, SANTOPRENE .5 BLACK DOME.....1 <i>(without option)</i>	1	11	128200	SWITCH TOGGLE ASSY SPDT 3P MOM.....1 <i>(Drive enable; includes boot and hardware)</i>	1
5A	110395	LIGHT,HI-BRITE AMBER 12V.....1 <i>(upper capacity range) (S-60X, S-60TX, S-60XC)</i>	1	--	128580	SWITCH TOGGLE SPDT 3P MOM SHDR	
--	56848	WASHER,LOCK,IND,LAMP RETAINER		12	56298	LIGHT,INDICATOR,RED,14V.....1 <i>(Drive enable indicator light)</i>	1
5B	229567	PLUG, SANTOPRENE .5 BLACK DOME <i>(S-60, S-65)</i>		13	128204	SWITCH TOGGLE ASSY SPDT 2P MNT.....1 <i>(Engine idle select; includes boot and hardware)</i>	1
6A	128200	SWITCH TOGGLE ASSY SPDT 3P MOM.....1 <i>(Capacity range select) (S-60X, S-60TX, S-60XC, S-60HC)</i>	1	--	128584	SWITCH TOGGLE SPDT 2P MNT SHDR	
				14	128204	SWITCH TOGGLE ASSY SPDT 2P MNT.....1 <i>(Fuel select; includes boot and hardware)</i>	1
				--	128584	SWITCH TOGGLE SPDT 2P MNT SHDR	

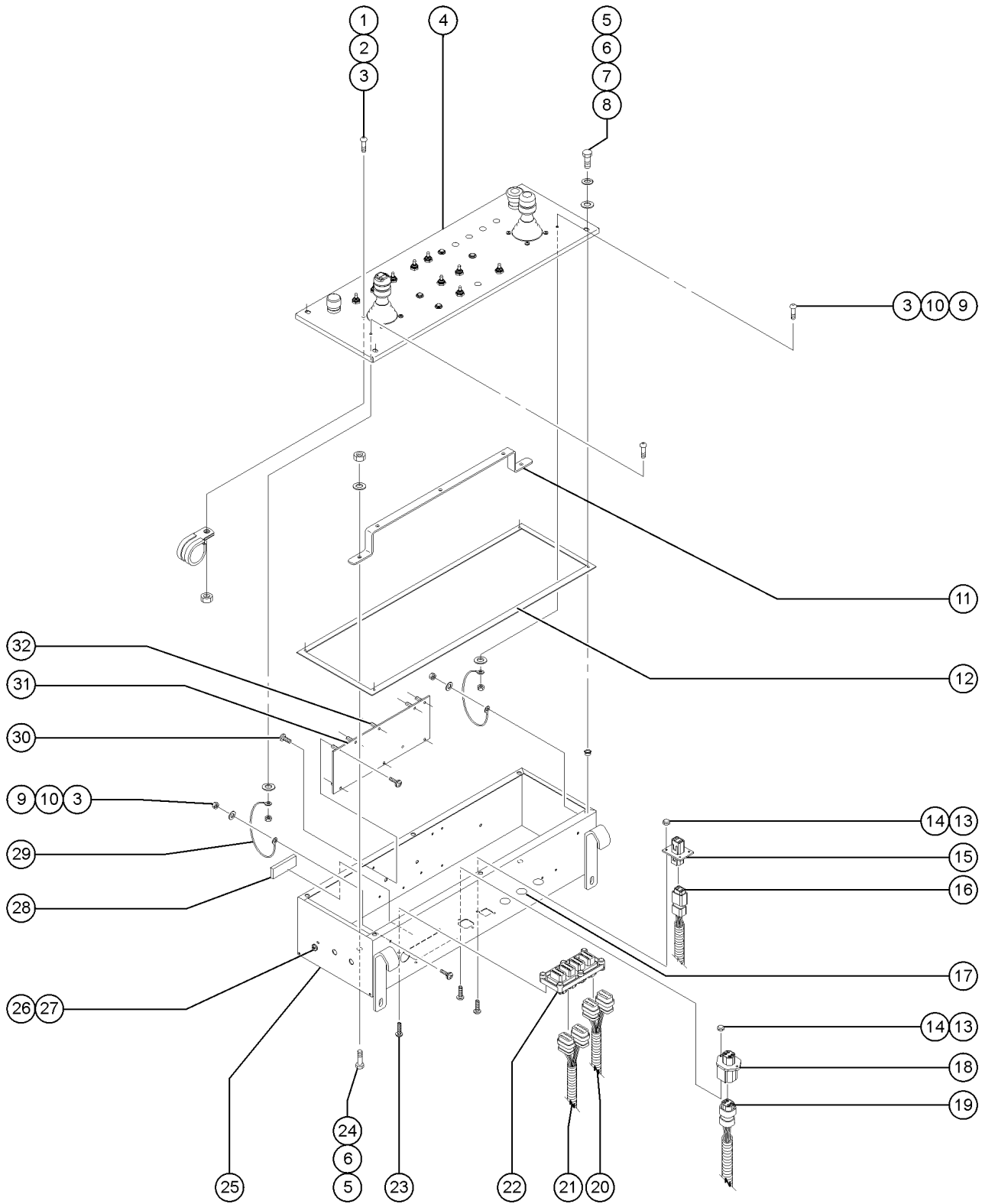


702.1 Platform Control Box - View 1
(continued)

Item	Part No.	Description	Qty.	Item	Part No.	Description	Qty.
15	128200	SWITCH TOGGLE ASSY SPDT 3P MOM.....1 (Engine start; includes boot and hardware)	1	24	128204	SWITCH TOGGLE ASSY SPDT 2P MNT.....1 (Drive speed; includes boot and hardware)	1
--	128580	SWITCH TOGGLE SPDT 3P MOM SHDR		--	128584	SWITCH TOGGLE SPDT 2P MNT SHDR	
16	56298	LIGHT,INDICATOR,RED,14V.....1 (Platform overload indicator)	1				
--	56848	WASHER,LOCK,IND,LAMP RETAINER					
17	56298	LIGHT,INDICATOR,RED,14V.....1 (Machine malfunction indicator)	1				
--	56848	WASHER,LOCK,IND,LAMP RETAINER					
18	45383	ALARM,WARBLE TONE 5-30 VDC***.....1 (retaining nut 72326 sold separately)	1				
--	72326	NUT - PLASTIC,RING FOR ALARMS					
19	66813	BUTTON,PUSH,BLACK W/SEAL***.....1	1				
--	66815	BASE, W/1 N.O. CONTACTS***					
--	66816	CONTACT,N.O.					
20	128200	SWITCH TOGGLE ASSY SPDT 3P MOM.....1 (Platform level; includes boot and hardware)	1				
--	128580	SWITCH TOGGLE SPDT 3P MOM SHDR					
21	128202	SWITCH TOGGLE ASSY DPDT 3P MOM.....1 (Platform rotate; includes boot and hardware)	1				
--	128582	SWITCH TOGGLE DPDT 3P MOM SHDR					
22	139338	SCREW PH M5-0.8X20 DIN 7500CE.....4	4				
22	Ref.	JOYSTICK.....1 refer to section 704.1	1				
23A	128200	SWITCH TOGGLE ASSY SPDT 3P MOM.....1 (Jib boom up/down; includes boot and hardware)	1				
--	128580	SWITCH TOGGLE SPDT 3P MOM SHDR					
23B	110395	LIGHT,HI-BRITE AMBER 12V.....1	1				
--	56848	WASHER,LOCK,IND,LAMP RETAINER					

This Page Intentionally Left Blank

703.1 Platform Control Box - View 2



703.1 Platform Control Box - View 2

Item	Part No.	Description	Qty.	Item	Part No.	Description	Qty.
--		Ref. PLATFORM BOX HARNESS <i>(refer to section 307.1)</i>		11	119644	BRACKET,PBOX WIRE SUPPORT.....	1
--	111413	JOYSTICK CONNECTOR ASSEM,DEUT		12	81488	GASKET,PLATFORM CONTROL BOX.....	1
--	111420	OPTION,ROCKER STEER		13	49820	SCREW,PHILLIPS,PHM,6-32 X .5	
--	121847	RELAY,TIME DELAY,2 SEC,30A <i>models with load sense</i>		14	12344	NUT,NYLOCK,6-32	
1	139338	SCREW PH M5-0.8X20 DIN 7500CE.....	8	15	73723	CONN RECEP,FLANGED.....	1
2	18666	CLAMP,1.00,#16 X 1/4,RUB CUSH.....	1	16		Ref. FOOT SWITCH WIRE HARNESS ASSEMBLY <i>(refer to section 307.1)</i>	
3	104030	NUT HEX M5-0.8 CLASS 8 ZINC		17	15243	PLUG,NYLON .875 BLACK DOMED.....	3
4	T109341	PLAT BOX LID W/WRD DEC,S60/65..... <i>S-60/65 and S-65TX (Australia models), S-65/65TX (N. America and Canada models)</i>	1	18	73717	CONN,RECEP 4 WAY,12-14GA FL***.....	1
--	T109342	PLAT BOX LID W/WRD DEC,S60TX <i>S-60TX (N. America, Canada and Australia models)</i>		19		Ref. HARNESS,12V TO PLAT <i>(refer to section 307.1)</i>	
--	T109343	PLAT BOX LID W/WRD DEC,S60HC <i>S-60HC (Europe models)</i>		20		Ref. HARNESS,18/22 BOOM 2 <i>(refer to section 307.1)</i>	
--	T109344	PLAT BOX LID W/WRD DEC,S60X <i>S-60X (N. America and Canada models)</i>		21		Ref. HARNESS BOOM CABLE 1 <i>(refer to section 307.1)</i>	
--	T109345	PLAT BOX LID W/WRD DEC,S60XC <i>S-60XC (N. America and Canada models)</i>		22	73736	CONN,RECEP 48 WAY,4 X 12.....	1
--	T109346	PLAT BOX LID W/SYM DEC,S60/65 <i>S-60/65 and S-65TX (Europe models), S-65/65TX (S. America and Asia models)</i>		23	73803	SCREW,SHM,PHP, #12 X .75	
--	T109347	PLAT BOX LID W/SYM DEC,S60TX <i>S-60TX (S. America and Asia models)</i>		24	6889	NUT,LP NYLOCK,1/4-20	
--	T109348	PLAT BOX LID W/SYM DEC,S60X <i>S-60X (S. America and Asia models)</i>		25	T109350	PLATFORM CONTROL BOX W/DECAL <i>N. America, Canada and Australia models</i>	
--	T109349	PLAT BOX LID W/SYM DEC,S60XC <i>S-60XC (S. America and Asia models)</i>		--	81487P	PLATFORM CONTROL BOX,PAINTED..... <i>Europe, S. America and Asia models</i>	1
5	6090	SCREW,HHC,1/4-20 X .75		26	54365	SCREW,PHIL,PHM,10-32 X .5,SSTL	
6	6356	WASHER,LOCK,.25		27	6178	NUT,NYLOCK,10-32	
7	6638	WASHER,FLAT,USS,1/4"Y		28	30997	CORROSION INHIBITOR,FOAM.....	1
8	23404	NUTSERT,1/4-20,STEEL CAD PLTD.....	4	29	77351	LANYARD,PLATFORM CONTROL BOX.....	2
9	49819	SCREW,PHILLIPS,PHM,10-32 X .5		30	81551	SCREW,PHIL,PHM,6-32 X 1/4 SS	
10	6146	WASHER,FLAT,MS,#10,Y		31A	235323	ASSY,PCB,ALC500-2 S60 V203 <i>for S-60 HC from SN 21001 to 21287; Machine model and serial number required when ordering. Contact Genie Service Parts for assistance.</i>	
				31A	235411	ASSY,PCB ALC500 S60 LEG V202 <i>for S-60 HC from SN 21288; Machine model and serial number required when ordering. Contact Genie Service Parts for assistance.</i>	

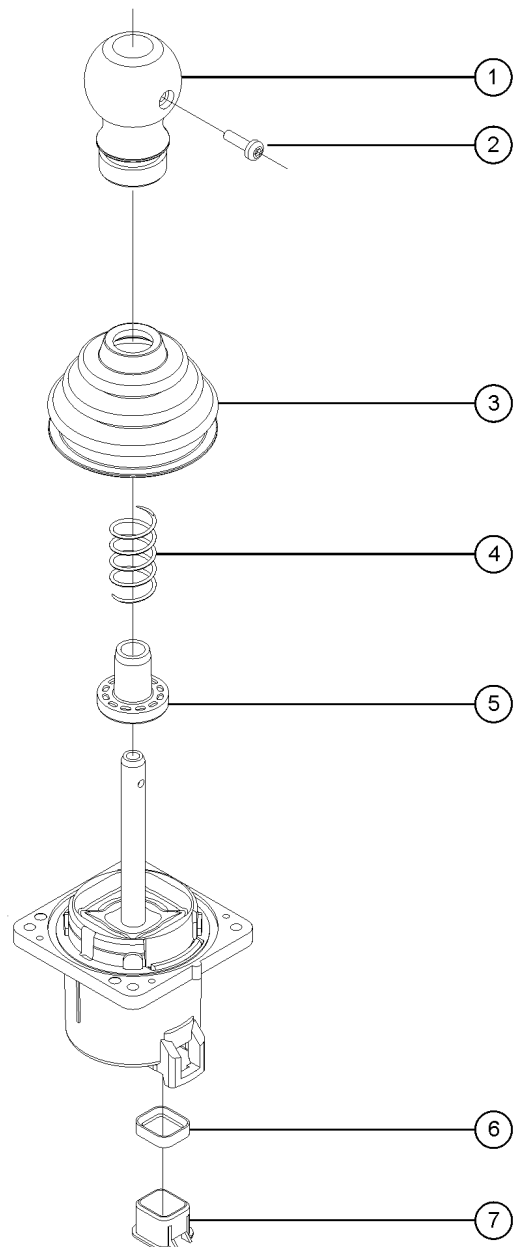
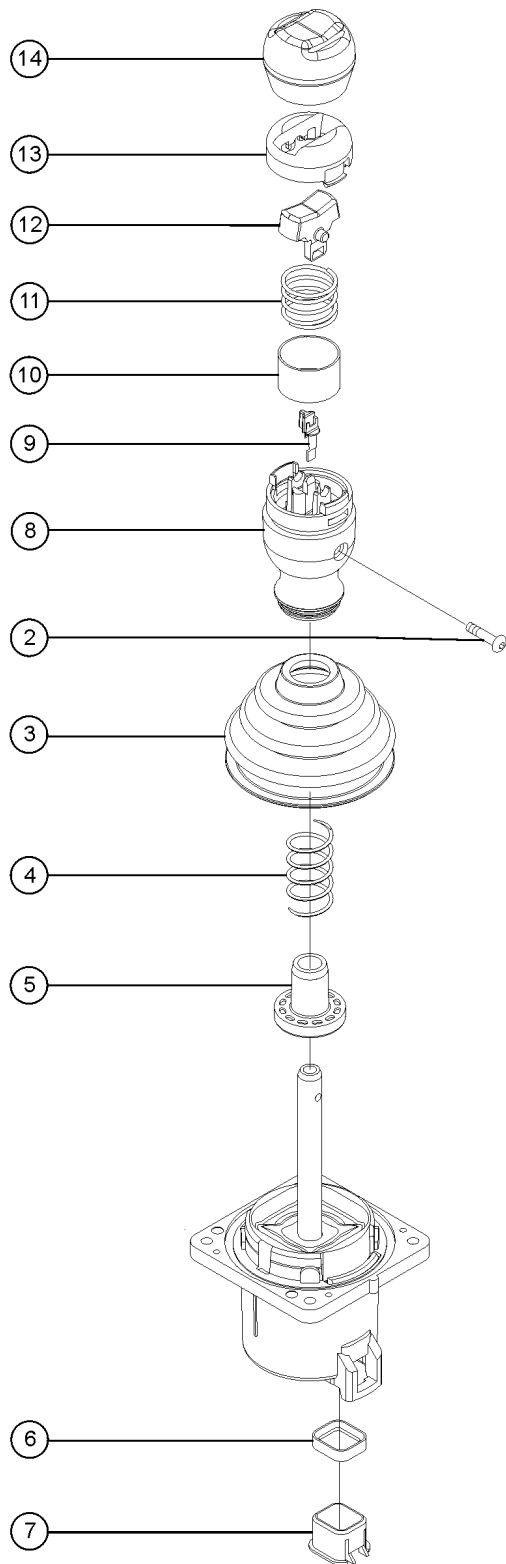


703.1 Platform Control Box - View 2
(continued)

Item	Part No.	Description	Qty.
31B	235323	ASSY,PCB,ALC500-2 S60 V203 <i>for all S-60/65 models except S-60HC from SN 21001; Machine model and serial number required when ordering. Contact Genie Service Parts for assistance.</i>	
31C	119560	WIRING KIT,CONTROL BOX HEATER	
31C	119641	SWITCH,THERMOSTAT 85F OPEN	
31C	128204	SWITCH TOGGLE ASSY SPDT 2P MNT	
31C	27287	RESISTOR,10 OHM,25 WATT.....2 <i>for 119560</i>	
31C	T115352	DECAL,OPTION CONTROL BOX HEATR.....1	
32	81550	STANDOFF,6-32 X 3/8L X 1/4 HEX.....10	

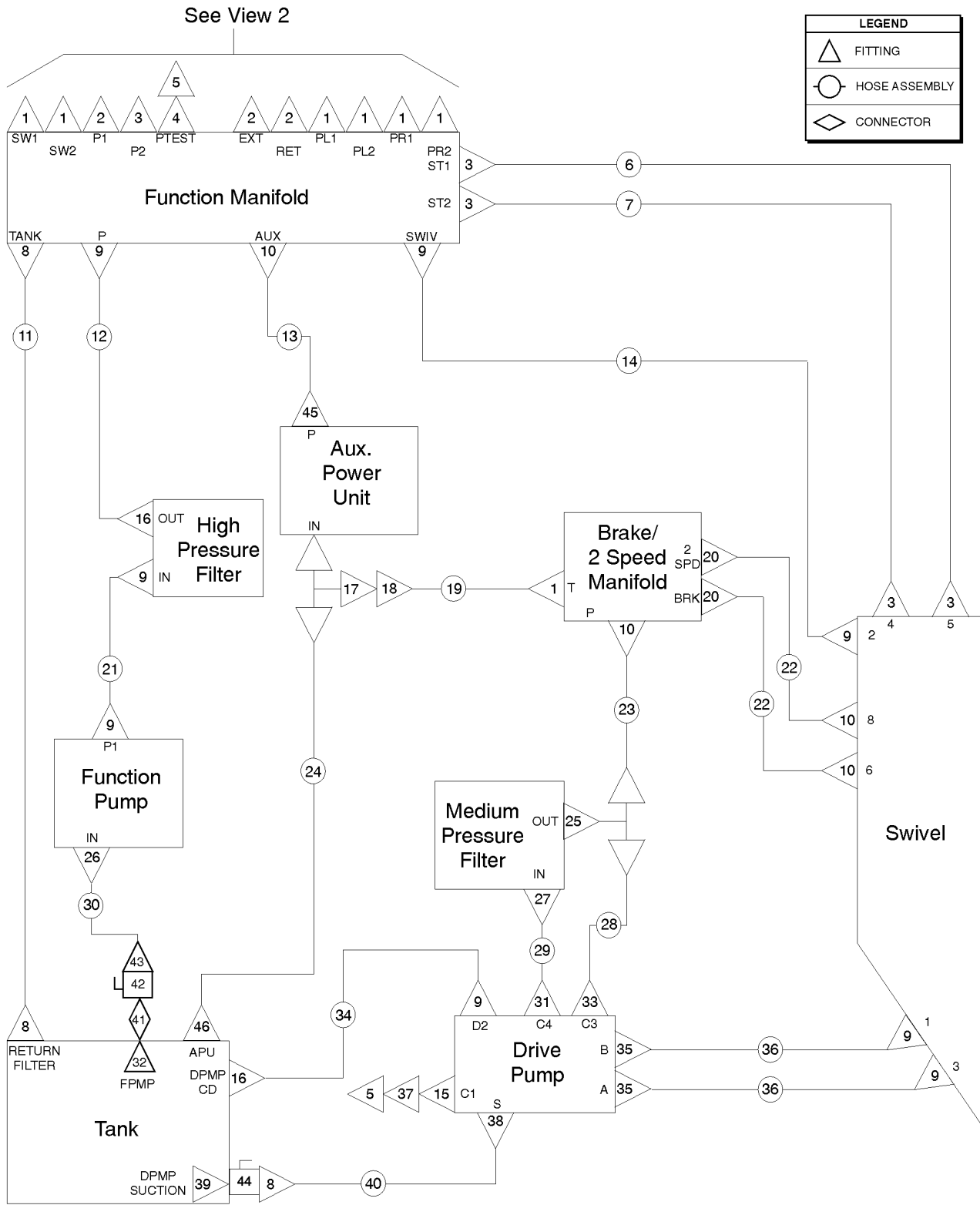
This Page Intentionally Left Blank

704.1 Joysticks



Item	Part No.	Description	Qty.
--	101173	JOYSTICK,2 AXIS,ROCKER,DEUTSCH <i>(calibration required after replacement), OEM joystick</i>	
--	101173H	JOYSTICK,DUAL AXIS W/STEER <i>(calibration required after replacement), aftermarket joystick</i>	
--	101174	JOYSTICK,2 AXIS,DEUTSCH <i>(calibration required after replacement), OEM joystick</i>	
--	101174H	JOYSTICK,DUAL AXIS W/KNOB <i>(calibration required after replacement), aftermarket joystick</i>	
--	58253	KIT,REPAIR,DEUTSCH PLUG,W/TUBE <i>small kit</i>	
--	83129	KIT,REPAIR,DEUTSH CONNECTORS** <i>large kit</i>	
--	61794	CRIMPER,DEUTSCH,LIGHT DUTY*** <i>tool</i>	
1	62392	KNOB,JOYSTICK, 62390/62391.....	1
2	T112626	SCREW, PHM, #6-32 X .625 ZINC.....	1
3	139598	BOOT,JOYSTICK.....	1
4	62395	SPRING,JOYSTK CENTR,62390/91.....	1
5	119915	COLLAR,JOYSTICK,CENTER.....	1
6	128000	SEAL, CONNECTOR (DT JOYSTICKS).....	1
7	128001	SLEEVE,CONNECTOR,DT JOYSTICKS.....	1
8	75449	KNOB,ROCKER JOYSTICK 75565.....	1
9	75448	SUPPORT,SENSOR,JOYSTICK.....	1
10	75447	SWITCH SHIELD,ROCK JOYSTK75565.....	1
11	75446	SPRING,SWITCH CENTERING,75565.....	1
12	75445	ROCKER ASSY.,MAGNETIC 75565.....	1
13	75444	ROCKER,RETAINER, 75565.....	1
14	75443	BOOT, ROCKER JOYSTICK 75565.....	1

801.1 Function Manifold - View 1



801.1
S60/65



801.1 Function Manifold - View 1

Item	Part No.	Description	Qty.	Item	Part No.	Description	Qty.
--		<i>The hose lengths below reflect the length of the hose only. Refer to the 'Fittings Cross Reference' to match Genie part numbers to Parker part numbers.</i>		19	49117-4691	HOSE ASSY,1/4,90 FEM,STR FEM.....1 <i>Components: Genie part numbers 48800, 48802 and 48751 @ 45 inches</i>	1
1	48905	CONN,520120-4***.....7		20	48907	ELBOW,45D,520320-4.....2	
2	48933	CONN,520120-8***.....3		21	61073-3930	HOSE ASSY,3/4",90øFEM,STR FEM.....1 <i>Components: Genie part numbers 48846, 48841 and 48762 @ 36 inches</i>	1
3	48916	FITTING,CONN,520120-6.....5		22	49119-2878	HOSE ASSY,1/4,STR FEM,STR FEM.....2 <i>Components: Genie part numbers 48800, 48800 and 48751 @ 27 inches</i>	2
4	48998	NIPPLE,DIAGNOSTIC,#6 PORT***.....1		23	49117-3391	HOSE ASSY,1/4,90 FEM,STR FEM.....1 <i>Components: Genie part numbers 48800, 48802 and 48751 @ 32 inches</i>	1
5	48880	CAP,DIAGNOSTIC NIPPLE.....1		24	94465-3650	HOSE ASSY,1/2".....1 <i>Components: Genie part numbers 48808, 48808 and 39888 @ 35 inches</i>	1
6	49130-5782	HOSE ASSY 3/8, STR FEM,STR FEM.....1 <i>Components: Genie part numbers 48812, 48812 and 48753 @ 56 inches</i>	1	25	48936	TEE,BRANCH,520429-8.....1	
7	49130-5582	HOSE ASSY 3/8, STR FEM,STR FEM.....1 <i>Components: Genie part numbers 48812, 48812 and 48753 @ 54 inches</i>	1	26	88936	CONNECTOR,520120-20-16.....1	
8	48984	CONN,520120-16.....2		27	48932	FITTING,ELBOW,90D,520220-8***..1	
9	48960	FITTING,CONN,520120-12.....6		28	49143-3429	HOSE ASSY,1/2,90 FEM,STR FEM.....1 <i>Components: Genie part numbers 48822, 48827 and 48756 @ 32 inches</i>	1
10	48904	ELBOW,90D,520220-4-4.....4		29	49143-3629	HOSE ASSY,1/2,90 FEM,STR FEM.....1 <i>Components: Genie part numbers 48822, 48827 and 48756 @ 34 inches</i>	1
11	88949-3828	HOSE ASSY 1",STR FEM,STR FEM.....1 <i>Components: Genie part numbers 88938, 88941 and 88940 @ 36 inches</i>	1	30	88943-7636	HOSE ASSY,1.25",90 FEM,STR FEM.....1 <i>Components: Genie part numbers 88474, 88477, 88944 and 88478 @ 72.5 inches</i>	1
12	61074-7572	HOSE ASSEMBLY 3/4" STR-STR....1 <i>Components: Genie part numbers 48841, 48841 and 48762 @ 72 inches (from SN 21001 to 21204)</i>	1	31	48949	CONN,520120-8-16.....1	
--	61074-7272	HOSE ASSEMBLY 3/4"STR-STR <i>Components: Genie part numbers 48841, 48841 and 48762 @ 70 inches (from SN 21205)</i>		32	101491	STRAINER,20 SAE F/24 SAE M	
13	49117-2491	HOSE ASSY,1/4,90 FEM,STR FEM.....1 <i>Components: Genie part numbers 48802, 48800 and 48751 @ 23 inches</i>	1	33	48946	CONN,520120-8-10.....1	
14	49151-6248	HOSE ASSY,3/4,STR FEM,STR FEM.....1 <i>Components: Genie part numbers 48841, 48841 and 48761 @ 60 inches</i>	1	34	49150-9130	HOSE ASSY,3/4,90 FEM,STR FEM.....1 <i>Components: Genie part numbers 48841, 48846 and 48761 @ 88 inches</i>	1
15	48914	CONN,520120-4-8.....1		35	48977	CONN,520120-12-16.....2	
16	48963	FITTING,ELBOW,45D,520320-12***.1		36	94374-6030	HOSE ASSY,3/4,90 FEM,STR FEM.....2 <i>Components: Genie part numbers 48841, 48846 and 84358 @ 57 inches</i>	2
17	48936	TEE,BRANCH,520429-8.....1					
18	48941	REDUCER,520123-8-4.....2					



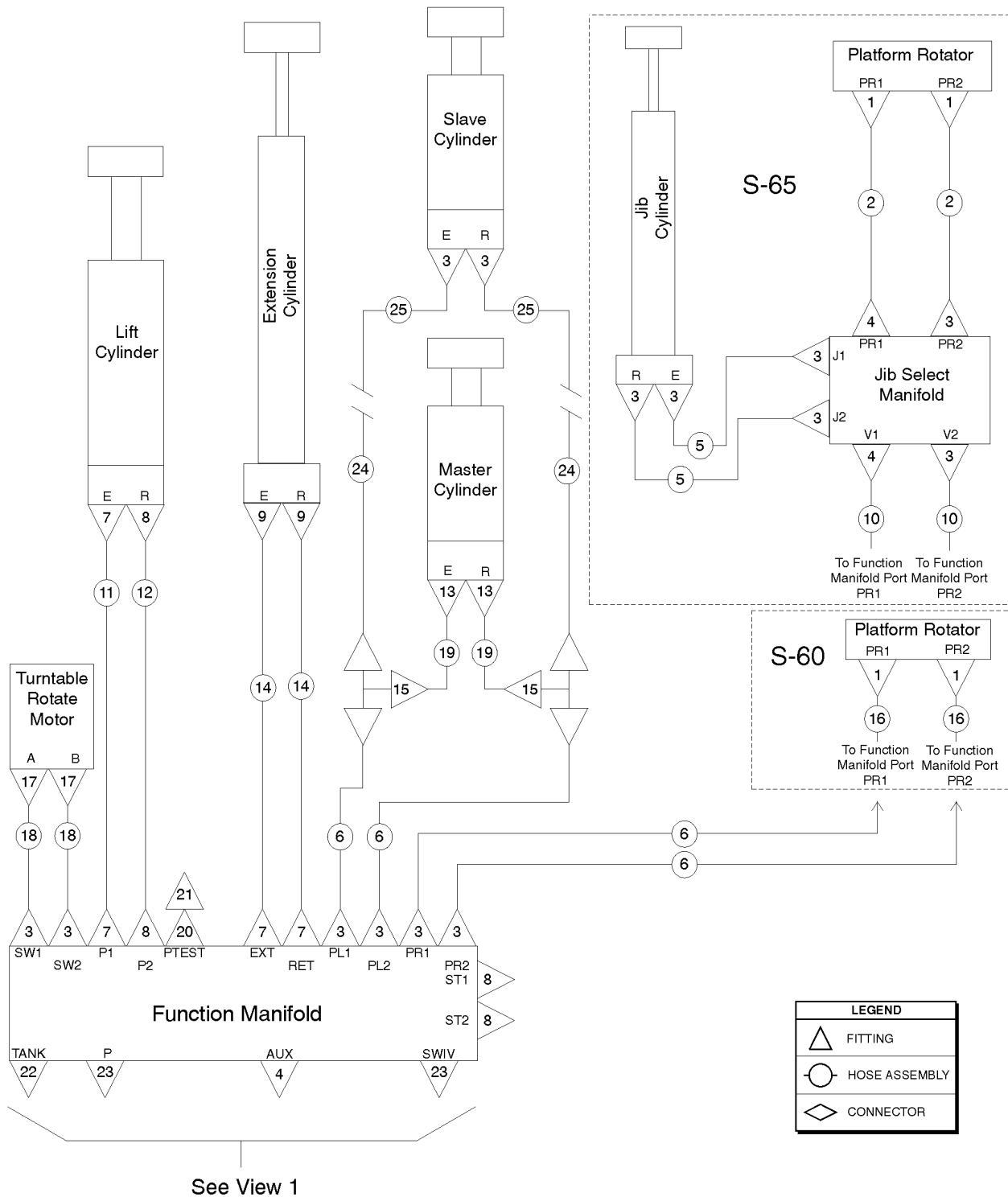
801.1 Function Manifold - View 1
(continued)

Item	Part No.	Description	Qty.
37	49207	NIPPLE,DIAGNOSTIC,ORFS,FM,SWIV.	1
38	48985	ELBOW,45D,520320-16.....	1
39	101490	STRAINER,16 SAE F/24 SAE M.....	1
40	88942-8354	HOSE ASSY,1",90 FEM,STR FEM..... <i>Components: Genie part numbers 88938, 88941, 88939 and 88940 @ 80 inches</i>	1
41	61263	UNION,STR.THREAD 20.....	1
42	101494	VALVE,BALL,FSAE-20,FSAE-20.....	1
43	75654	CONN,520120-20.....	1
44	48996	VALVE,BALL,16 MSAE-16 FSAE***.....	1
45	48912	CONN,520120-4-6***.....	1
46	48943	FITTING,CONN,520120-8-6.....	1



This Page Intentionally Left Blank

802.1 Function Manifold - View 2



802.1 Rev B
S60/65



802.1 Function Manifold - View 2

Item	Part No.	Description	Qty.	Item	Part No.	Description	Qty.
--		<i>The hose lengths below reflect the length of the hose only. Refer to the 'Fittings Cross Reference' to match Genie part numbers to Parker part numbers.</i>		12B	49128-12309	HOSE ASSY,3/8,STR FEM,STR,90D.....1 <i>Components: Genie part numbers 48812, 48816, and 48753 @ 121 inches; from SN 21235</i>	1
--	48767	SLEEVE,NYLON,1.42 ID....23-inches protective hose sleeve, 1.42" diameter (near platform rotator)		13	48911	ELBOW,90D,520220-4-6***.....2	2
--	49219	SLEEVE,NYLON,2.19 ID,BULK.....46-inches protective hose sleeve, 2.19" diameter (near platform rotator)		14	49183-13492	HOSE ASSY,1/2,STR FEM,STR FEM.....2 <i>Components: Genie part numbers 48822, 48822 and 48756 @ 133 inches</i>	2
1	48907	ELBOW,45D,520320-4.....2	2	15	48908	FITTING,TEE,RUN,SWIVEL520432-4.2	
2	49119-2878	HOSE ASSY,1/4,STR FEM,STR FEM.....2 <i>Components: Genie part numbers 48800, 48800 and 48751 @ 27 inches</i>	2	16	49119-72078	HOSE ASSY,1/4,STR FEM,STR FEM <i>Components: Genie part numbers 48800, 48800 and 48751 @ 719 inches</i>	
3	48905	CONN,520120-4***.....11	11	17	49418	FITTING,ELBOW,45D,520320-4-6**..2	2
4	48904	ELBOW,90D,520220-4-4.....2	2	18	49119-7478	HOSE ASSY,1/4,STR FEM,STR FEM.....2 <i>Components: Genie part numbers 48800, 48800 and 48751 @ 73 inches</i>	2
5	49119-4278	HOSE ASSY,1/4,STR FEM,STR FEM.....2 <i>Components: Genie part numbers 48800, 48800 and 48751 @ 41 inches</i>	2	19A	49117-3791	HOSE ASSY,1/4,90 FEM,STR FEM**.....2 <i>Components: Genie part numbers 48800, 48802 and 48751 @ 36 inches; to SN 21459</i>	2
6	88636-11973	HOSE ASSY 1/4,STR FEM,STR BULK.....4 <i>Components: Genie part numbers 48800, 75628 and 48751 @ 117 inches</i>	4	19B	49117-3791	HOSE ASSY,1/4,90 FEM,STR FEM**.....1 <i>Components: Genie part numbers 48800, 48802 and 48751 @ 36 inches; from SN 21460</i>	1
7	48933	CONN,520120-8***.....4	4	--	227347	HOSE ASSY,1/4", 38.00.....1 <i>Components: Genie part numbers 48800, 48802 and 48751 @ 38 inches; from SN 21460</i>	1
8	48916	FITTING,CONN,520120-6.....3	3	20	48998	NIPPLE,DIAGNOSTIC,#6 PORT***.....1	1
9	48937	ELBOW,45D,520320-8.....2	2	21	48880	CAP,DIAGNOSTIC NIPPLE.....1	1
10	49119-79678	HOSE ASSY,1/4,STR FEM,STR FEM <i>Components: Genie part numbers 48800, 48800 and 48751 @ 795 inches</i>		22	48984	CONN,520120-16.....1	1
11A	49143-13829	HOSE ASSY,1/2,STR FEM,STR FEM.....1 <i>Components: Genie part numbers 48822, 48827 and 48756 @ 136 inches; to SN 21234</i>	1	23	48960	FITTING,CONN,520120-12.....1	1
11B	49143-12329	HOSE ASSY,1/2,STR FEM,STR FEM.....1 <i>Components: Genie part numbers 48822, 48827, and 48756 @ 121 inches; from SN 21235</i>	1	24A	49119-70978	HOSE ASSY,1/4,STR FEM,STR FEM <i>Components: Genie part numbers 48800, 48800 and 48751 @ 708 inches; to SN 24756</i>	
12A	49128-13809	HOSE ASSY 3/8,STR FEM,90D.....1 <i>Components: Genie part numbers 48812, 48816 and 48753 @ 136 inches; to SN 21234</i>	1	24B	161523	HOSE ASSY,1/4,693" <i>Components: Genie part numbers 48800, 48800 and 48751 @ 691 inches; from SN 24757</i>	



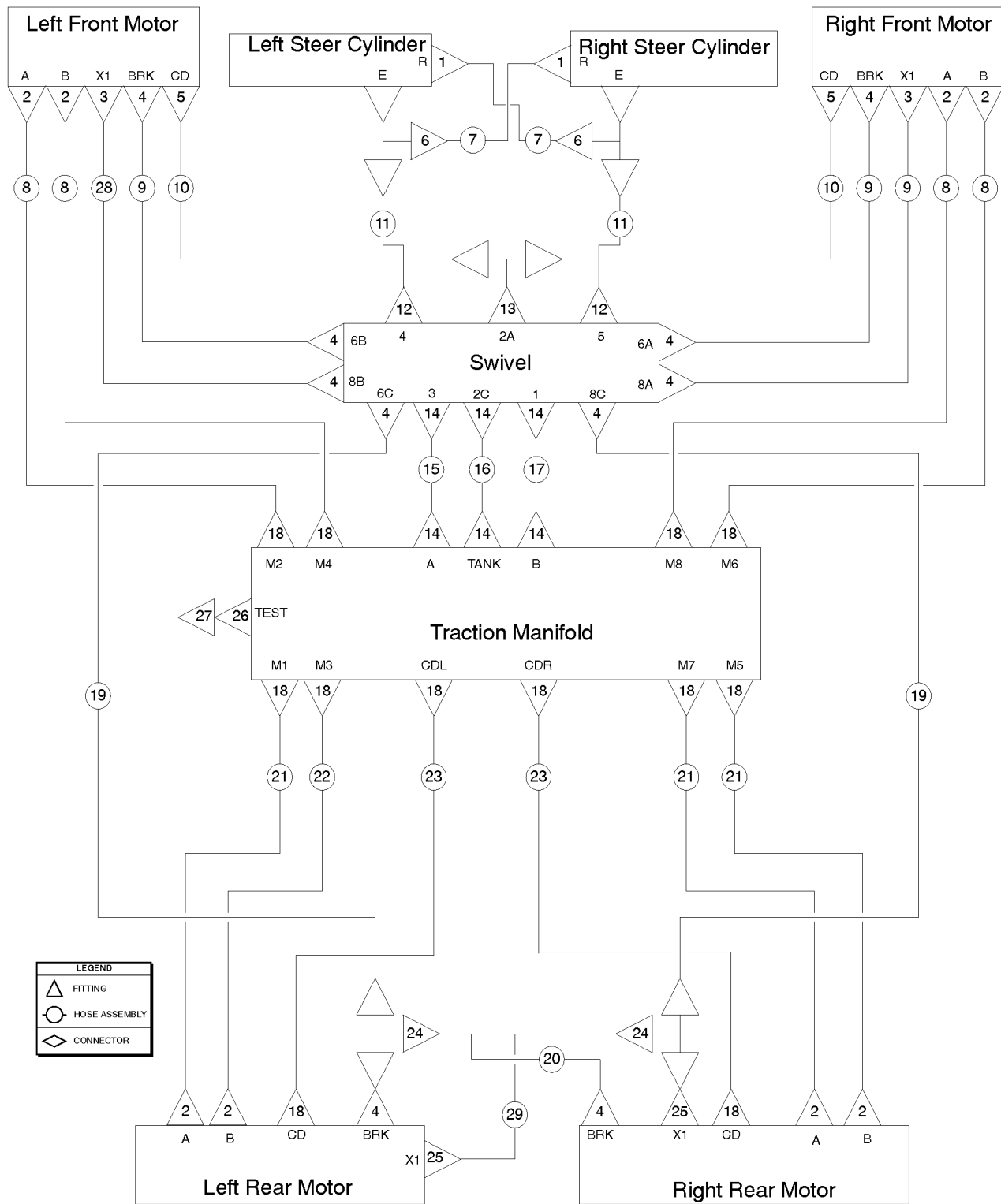
802.1 Function Manifold - View 2
(continued)

Item	Part No.	Description	Qty.
25	88636-2573	HOSE ASSY 1/4,STR FEM,STR BULK.....2 <i>Components: Genie part numbers 48800, 75628 and 48751 @ 23 inches</i>	
--	75574	NUT,BULKHEAD,520118-4 <i>(item sold seperately)</i>	



This Page Intentionally Left Blank

803.1 4WD Traction Manifold

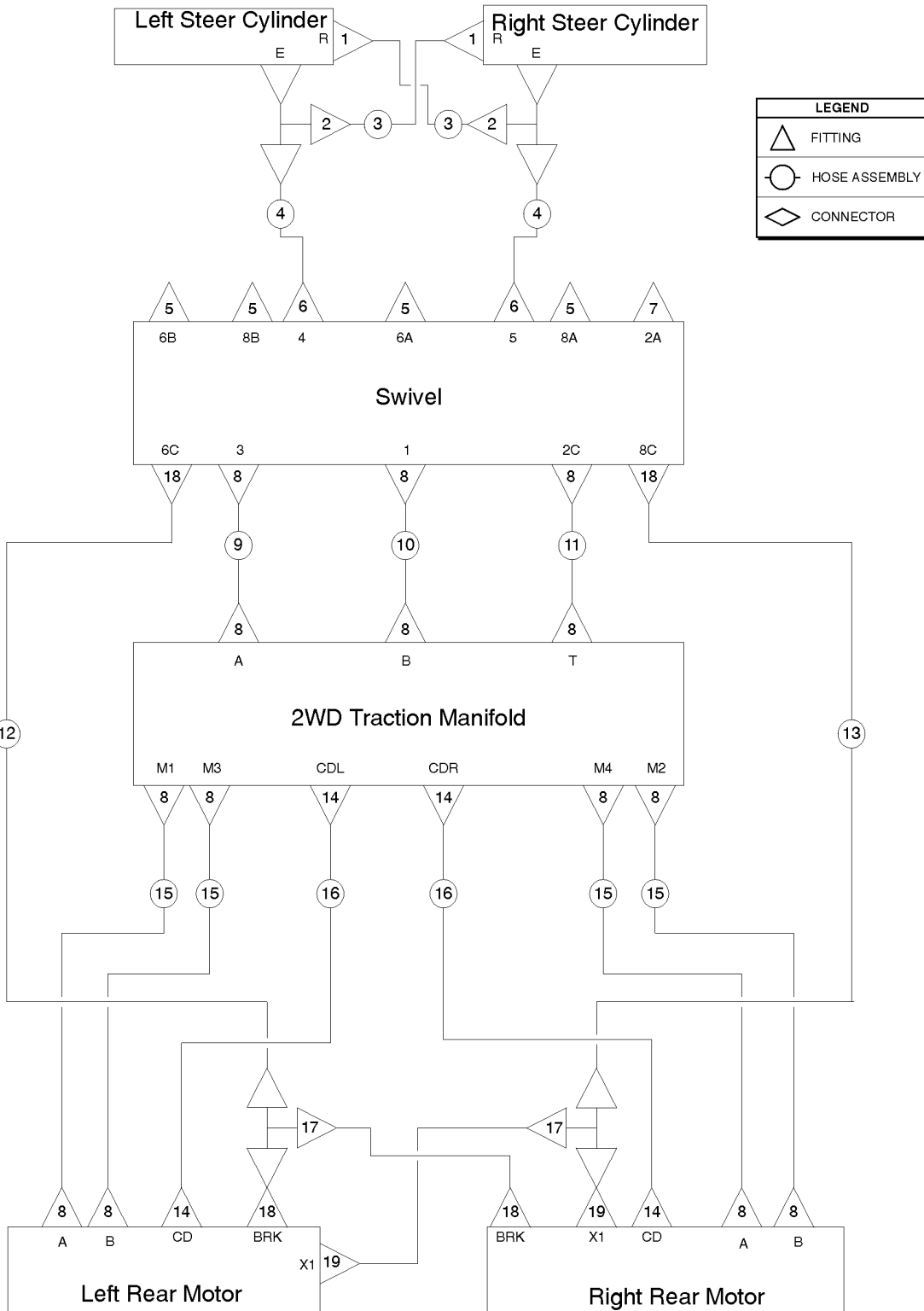


803.1 4WD Traction Manifold

Item	Part No.	Description	Qty.	Item	Part No.	Description	Qty.
--		<i>The hose lengths below reflect the length of the hose only. Refer to the 'Fittings Cross Reference' to match Genie part numbers to Parker part numbers.</i>		15	94374-2430	HOSE ASSY,3/4,90 FEM,STR FEM.....1 <i>Components: Genie part numbers 48841, 48846 and 94358 @ 21 inches</i>	1
1	48915	ELBOW,90D,520220-6.....2	2	16	94466-2336	HOSE ASSY,3/4".....1 <i>Components: Genie part numbers 48809, 48809 and 39889 @ 21 inches</i>	1
2	48948	CONN,520120-8-12.....8	8	17	94374-2630	HOSE ASSY,3/4,90 FEM,STR FEM**.....1 <i>Components: Genie part numbers 48841, 48846 and 94358 @ 23 inches</i>	1
3	48912	CONN,520120-4-6***.....2	2	18	48933	CONN,520120-8***.....12	12
4	48905	CONN,520120-4***.....10	10	19	49119-7578	HOSE ASSY,1/4 STR FEM,STR FEM.....2 <i>Components: Genie part numbers 48800, 48800 and 48751 @ 74 inches</i>	2
5	48930	FITTING,CONN,520120-6-8***.....2	2	20	49117-6291	HOSE ASSY,1/4,90 FEM,STR FEM.....1 <i>Components: Genie part numbers 48800, 48802 and 48751 @ 61 inches</i>	1
6	48918	TEE,RUN,520428-6.....2	2	21	75278-5029	HOSE ASSY,1/2,90 FEM,STR FEM.....3 <i>Components: Genie part numbers 48822, 48827 and 56777 @ 48 inches</i>	3
7	49130-2482	HOSE ASSY 3/8, STR FEM,STR FEM.....2 <i>Components: Genie part numbers 48812, 48812 and 48753 @ 23 inches</i>	2	22	75278-5129	HOSE ASSY,1/2,90 FEM,STR FEM.....1 <i>Components: Genie part numbers 48822, 48827 and 56777 @ 49 inches</i>	1
--	101795-2482	HOSE ASSY,3/8,STR FEM,STR FEM <i>Components: Genie part numbers 48812, 48812 and 101697 @ 23 inches (arctic option)</i>		23	94464-4986	HOSE ASSY,1/2".....2 <i>Components: Genie part numbers 48808, 77703 and 39888 @ 48 inches</i>	2
8	81812-13292	HOSE ASSY,1/2".....4 <i>Components: Genie part numbers 48822, 48822 and 56777 @ 131 inches</i>	4	24	48908	FITTING,TEE,RUN,SWIVEL520432-4.2	
9	49117-10091	HOSE ASSY,1/4,90 FEM,STR FEM.....3 <i>Components: Genie part numbers 48800, 48802 and 48751 @ 99 inches</i>	3	25	48911	ELBOW,90D,520220-4-6***.....2	2
--	101790-10091	HOSE ASSY,1/4,90 FEM,STR FEM <i>Components: Genie part numbers 48800, 48802 and 101697 @ 99 inches (arctic option)</i>		26	48998	NIPPLE,DIAGNOSTIC,#6 PORT***.....1	1
10	49131-9603	HOSE ASSEMBLY 3/8".....2 <i>Components: Genie part numbers 48812, 48819 and 48753 @ 94 inches</i>	2	27	48880	CAP,DIAGNOSTIC NIPPLE.....1	1
--	102230-9589	HOSE ASSY,3/8,STR FEM,STR FEM <i>Components: Genie part numbers 48812, 48819 and 101698 @ 94 inches (arctic option)</i>		28	49117-10691	HOSE ASSY 1/4,90 FEM STR FEM.....1 <i>Components: Genie part numbers 48800, 48802 and 48751 @ 105 inches</i>	1
11	49130-4782	HOSE ASSY,3/8,STR FEM,STR FEM.....2 <i>Components: Genie part numbers 48812, 48812 and 48753 @ 46 inches</i>	2	--	101790-10691	HOSE ASSY,1/4,90 FEM,STR FEM <i>Components: Genie part numbers 48800, 48802 and 48751 @ 105 inches (arctic option)</i>	
12	48916	FITTING,CONN,520120-6.....2	2	29	49117-6091	HOSE ASSY,1/4,90 FEM,STR FEM**.....1 <i>Components: Genie part numbers 48800, 48802 and 48751 @ 59 inches</i>	1
13	48936	TEE,BRANCH,520429-8.....1	1				
14	48960	FITTING,CONN,520120-12.....6	6				



804.1 2WD Traction Manifold

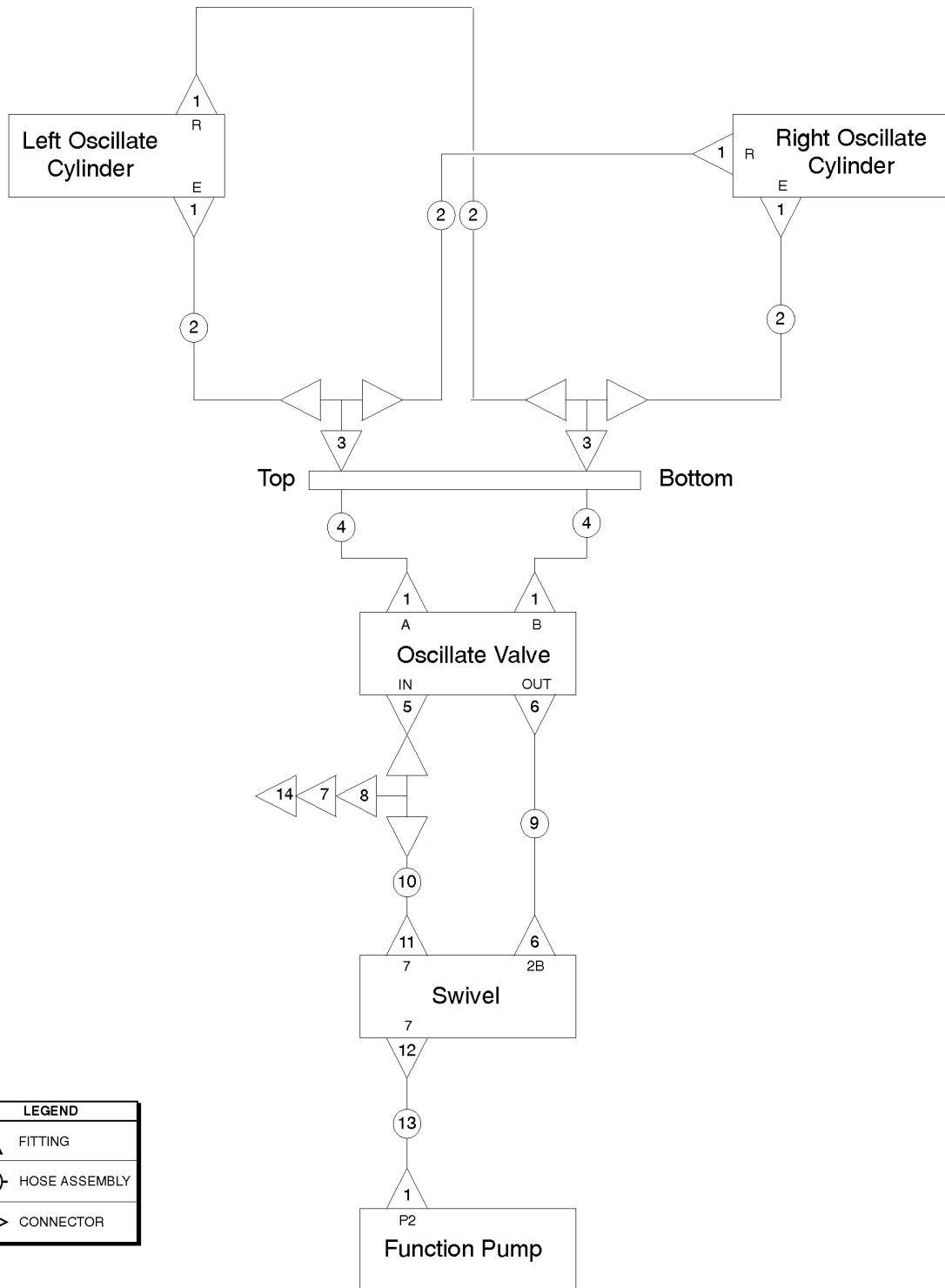


804.1 2WD Traction Manifold

Item	Part No.	Description	Qty.	Item	Part No.	Description	Qty.
--		<i>The hose lengths below reflect the length of the hose only. Refer to the 'Fittings Cross Reference' to match Genie part numbers to Parker part numbers.</i>		17	48908	FITTING,TEE,RUN,SWIVEL520432-4.2	
				18	48905	CONN,520120-4***	2
				19	48911	ELBOW,90D,520220-4-6***	1
1	48915	ELBOW,90D,520220-6.....	2				
2	48918	TEE,RUN,520428-6.....	2				
3	49130-2482	HOSE ASSY 3/8, STR FEM,STR FEM.....	2				
		<i>Components: Genie part numbers 48812, 48812 and 48753 @ 23 inches</i>					
4	49130-4782	HOSE ASSY,3/8,STR FEM,STR FEM.....	2				
		<i>Components: Genie part numbers 48812, 48812 and 48753 @ 46 inches</i>					
--	101795-4782	HOSE ASSY,3/8,STR FEM,STR FEM.....					
		<i>Components: Genie part numbers 48812, 48812 and 101698 @ 46 inches</i>					
5	49859	PLUG,090109A-4.....	4				
6	48916	FITTING,CONN,520120-6.....	2				
7	48883	PLUG,HEX,090109A-8***	1				
8	48960	FITTING,CONN,520120-12.....	14				
9	94374-2330	HOSE ASSY,3/4,90 FEM,STR FEM.....	1				
		<i>Components: Genie part numbers 48841, 48846 and 94358 @ 20 inches</i>					
10	94374-2530	HOSE ASSY,3/4,90 FEM,STR FEM.....	1				
		<i>Components: Genie part numbers 48841, 48846 and 94358 @ 22 inches</i>					
11	94466-2336	HOSE ASSY,3/4".....	1				
12	49119-7578	HOSE ASSY,1/4 STR FEM,STR FEM.....	1				
		<i>Components: Genie part numbers 48800, 48800 and 48751 @ 74 inches</i>					
13	49119-7578	HOSE ASSY,1/4 STR FEM,STR FEM.....	1				
		<i>Components: Genie part numbers 48800, 48800 and 48751 @ 74 inches</i>					
14	48933	CONN,520120-8***	4				
15	94374-4730	HOSE ASSY,3/4,90 FEM,STR FEM.....	4				
		<i>Components: Genie part numbers 48841, 48846 and 94358 @ 44 inches</i>					
16	94464-4986	HOSE ASSY,1/2".....	4				
		<i>Components: Genie part numbers 48808, 77703 and 39888 @ 48 inches</i>					



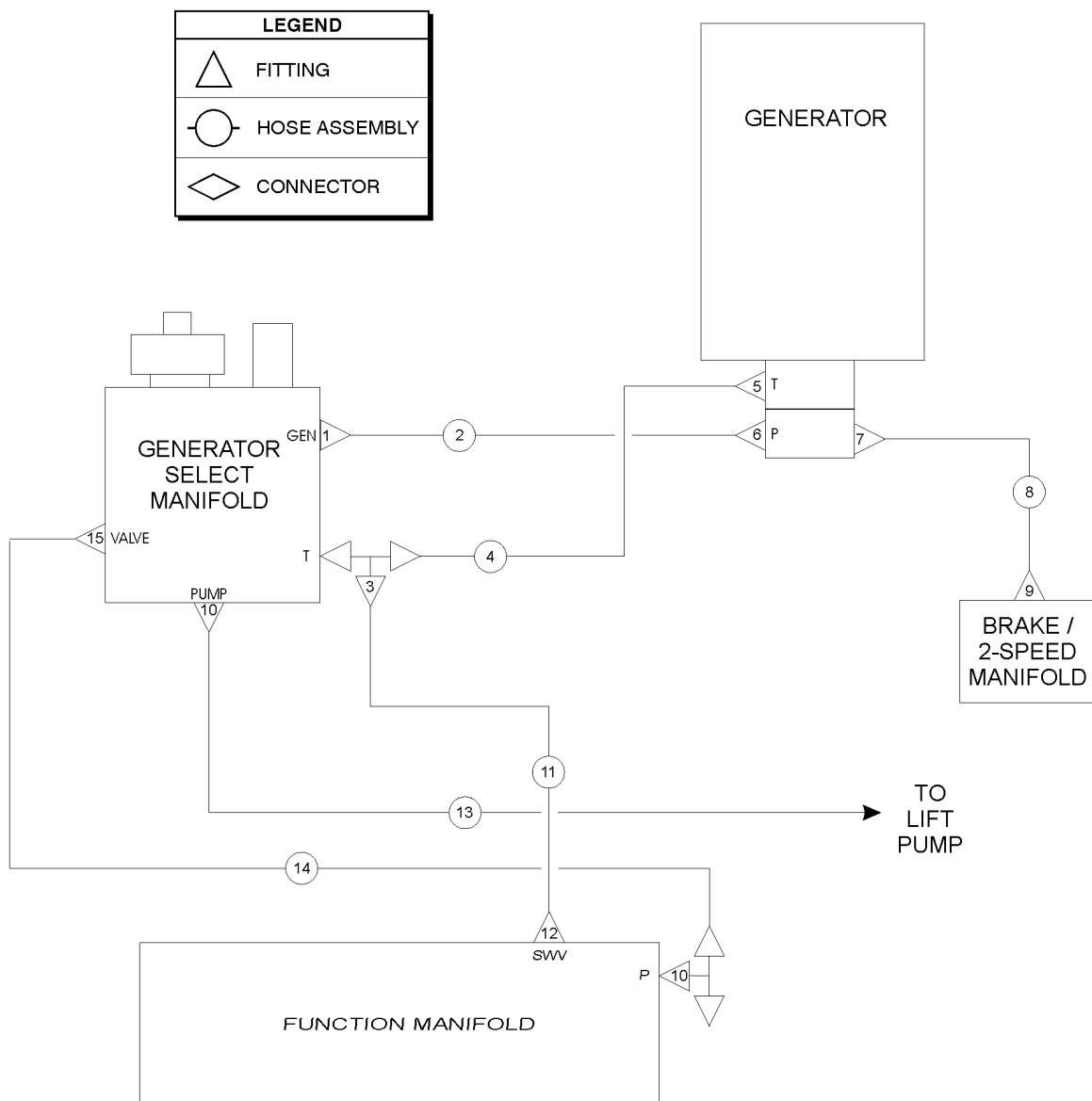
805.1 Oscillate Option



LEGEND	
	FITTING
	HOSE ASSEMBLY
	CONNECTOR

Item	Part No.	Description	Qty.
--		<i>The hose lengths below reflect the length of the hose only. Refer to the 'Fittings Cross Reference' to match Genie part numbers to Parker part numbers.</i>	
1	48912	CONN,520120-4-6***.....	7
2	49117-3291	HOSE ASSY,1/4,90 FEM,STR FEM..... <i>Components: Genie part numbers 48800, 48802 and 48751 @ 31 inches</i>	4
3	48891	FITTING,TEE,BRANCH,520433-4...2	
4	88636-8573	HOSE ASSY 1/4,STR FEM,STR BULK..... <i>Components: Genie part numbers 48800, 75628 and 48751 @ 83 inches</i>	2
5	48914	CONN,520120-4-8.....	1
6	48933	CONN,520120-8***.....	2
7	49207	NIPPLE,DIAGNOSTIC,ORFS,FM,SWIV.1	
8	48908	FITTING,TEE,RUN,SWIVEL520432-4.1	
9	94464-4186	HOSE ASSY,1/2"..... <i>Components: Genie part numbers 48808, 77703 and 39888 @ 40 inches</i>	1
10	49117-4691	HOSE ASSY,1/4,90 FEM,STR FEM..... <i>Components: Genie part numbers 48800, 48802 and 48751 @ 45 inches</i>	1
11	48905	CONN,520120-4***.....	1
--	49859	PLUG,090109A-4..... <i>models without oscillate</i>	1
12	48904	ELBOW,90D,520220-4-4.....	1
13	49117-5191	HOSE ASSY,1/4,90 FEM,STR FEM**..... <i>Components: Genie part numbers 48800, 48802 and 48751 @ 50 inches</i>	1
14	48880	CAP,DIAGNOSTIC NIPPLE.....	1

806.1 Hydraulic Generator Option (to SN 21396)

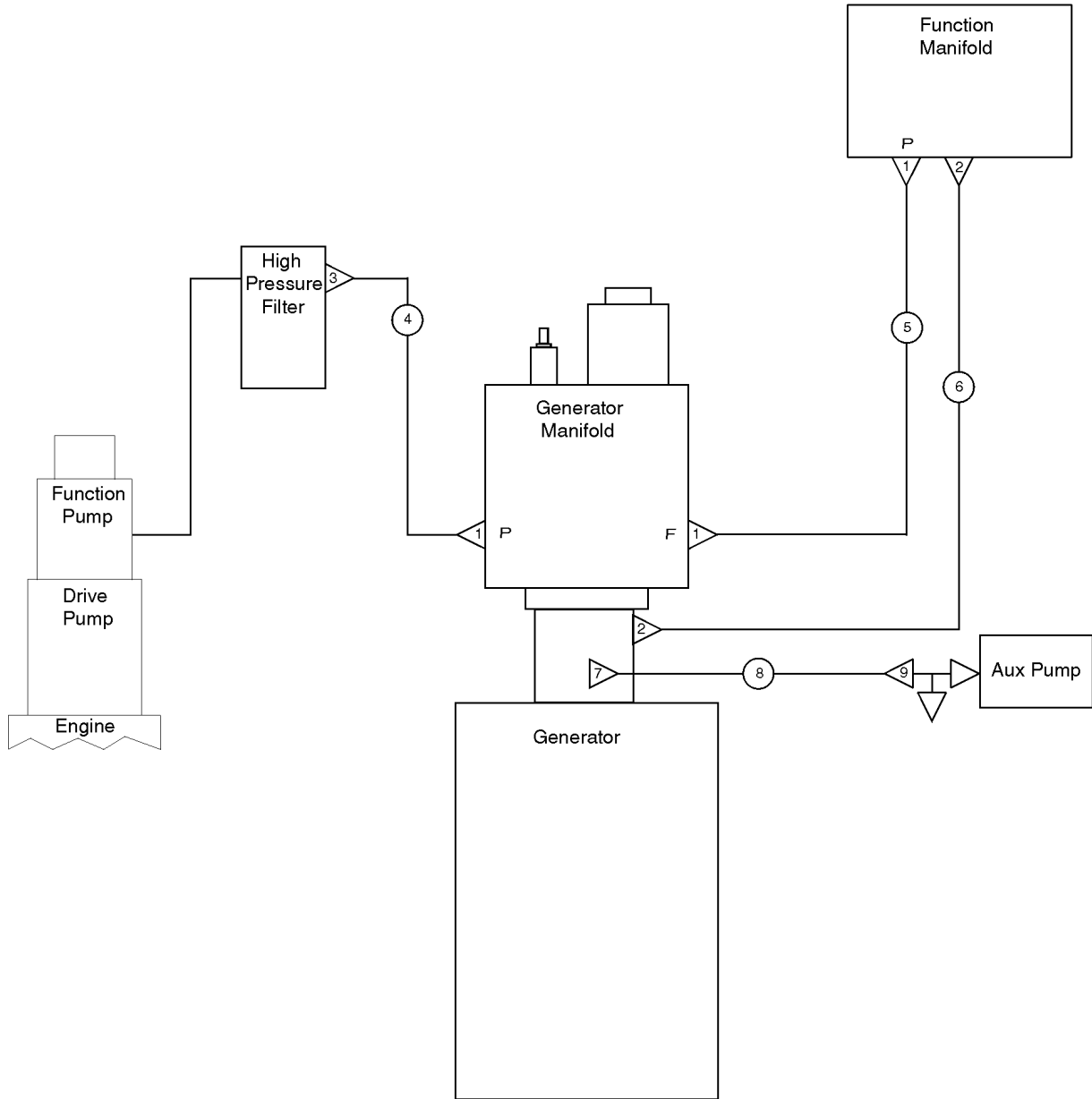


806.1 Hydraulic Generator Option (to SN 21396)

Item	Part No.	Description	Qty.
--		<i>The hose lengths below reflect the length of the hose only. Refer to the 'Fittings Cross Reference' to match Genie part numbers to Parker part numbers.</i>	
1	48933	CONN,520120-8***1	1
2	49143-3179	HOSE ASSY,1/2,90 FEM,STR FEM.....1 <i>Components: Genie part numbers 48822, 48827 and 48756 @ 29.5 inches</i>	1
3	48935	TEE,RUN,520428-8.....1	1
4	49143-2979	HOSE ASSY,1/2,90 FEM,STR FEM.....1 <i>Components: Genie part numbers 48822, 48827 and 48756 @ 27.5 inches</i>	1
5	42790	ELBOW,45DEG,520320-8-10.....1	1
6	48937	ELBOW,45D,520320-8.....1	1
7	48905	CONN,520120-4***1	1
8	49117-3691	HOSE ASSY,1/4,90 FEM,STR FEM.....1 <i>Components: Genie part numbers 48800, 48802 and 48751 @ 35 inches</i>	1
9	48908	FITTING,TEE,RUN,SWIVEL520432-4.1	1
10	48960	FITTING,CONN,520120-12.....1	1
11	49142-7112	HOSE ASSEMBLY,1/2,90FEM,STR FEM.....1 <i>Components: Genie part numbers 48822, 48839 and 48756 @ 68.5 inches</i>	1
12	48964	FITTING,TEE,RUN,SWIVEL52043212.1	1
13	61073-2830	HOSE ASSY,3/4",90 FEM, STR FEM.....1 <i>Components: Genie part numbers 48841, 48846 and 48762 @ 25 inches</i>	1
14	61074-6222	HOSE ASSEMBLY 3/4" STR-STR....1 <i>Components: Genie part numbers 48841, 48841 and 48762 @ 59.9 inches</i>	1
15	48963	FITTING,ELBOW,45D,520320-12***.1	1



806.2 Hydraulic Generator Option (from SN 21397)



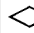


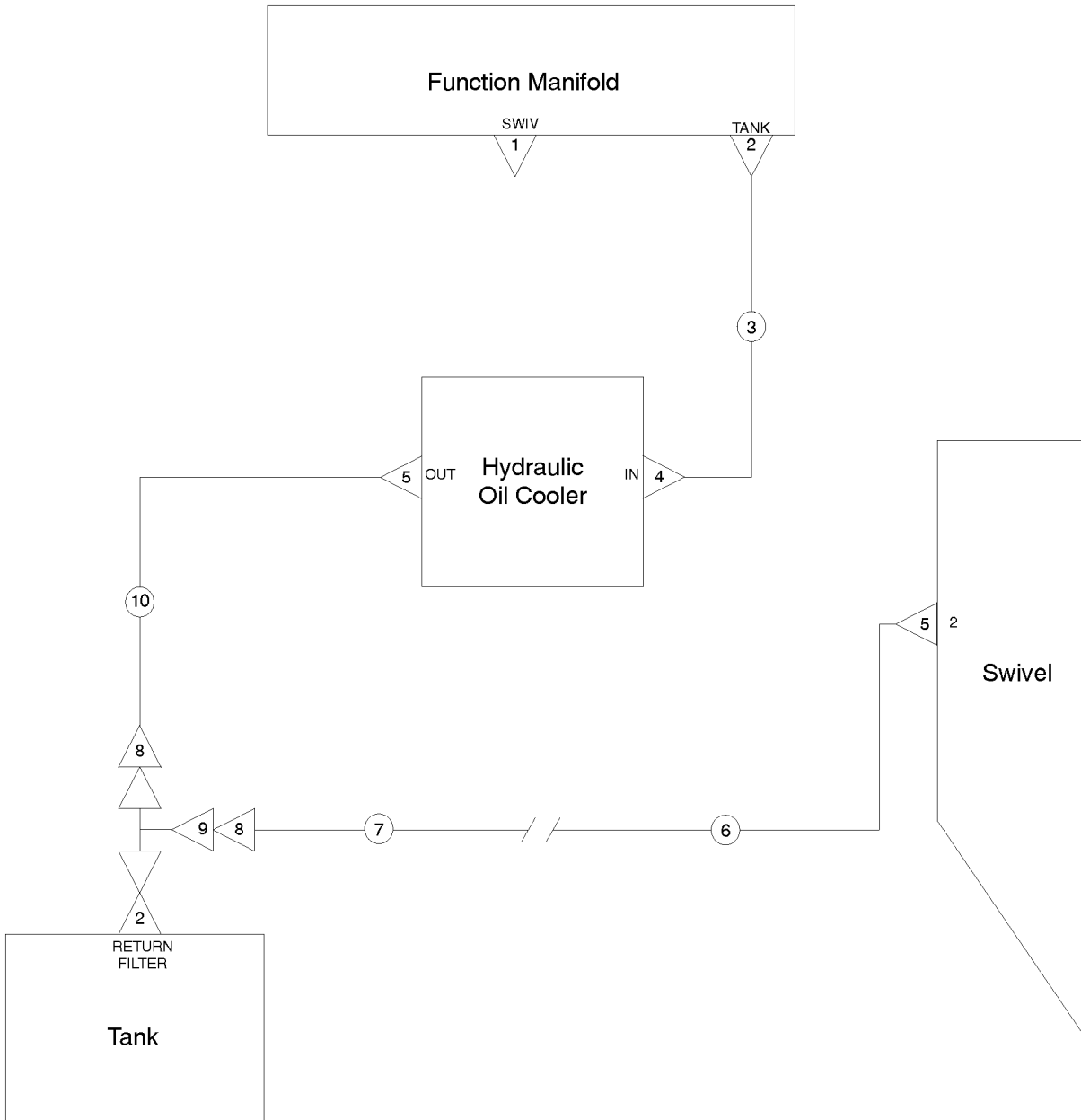
LEGEND	
	ADAPTER
	HOSE ASSEMBLY
	UNION

806.2 Hydraulic Generator Option (from SN 21397)

Item	Part No.	Description	Qty.
1	48960	FITTING,CONN,520120-12.....3 <i>(includes 45° and reducer)</i>	
2	48933	CONN,520120-8***2	
3	48963	FITTING,ELBOW,45D,520320-12***.1	
4	61073-3330	HOSE ASSY,3/4,90 FEM,STR FEM.....1 <i>(components: 48841, 48846, and 48762 @ 29 inches)</i>	
5	61073-7330	HOSE ASSY,3/4,90 FEM,STR FEM.....1 <i>(components: 48841, 48846, and 48762 @ 70 inches)</i>	
6	49183-7592	HOSE ASSEMBLY,1/2,STR FEM.....1 <i>(components: 48822, 48822, and 48756 @ 74 inches)</i>	
7	49861	CONN,LONG,520122-4.....1	
8	49117-6119	HOSE ASSY,1/4,90 FEM,STR FEM**.....1 <i>(components: 48800, 48802, and 48751 @ 60 inches)</i>	
9	48908	FITTING,TEE,RUN,SWIVEL520432-4.1	

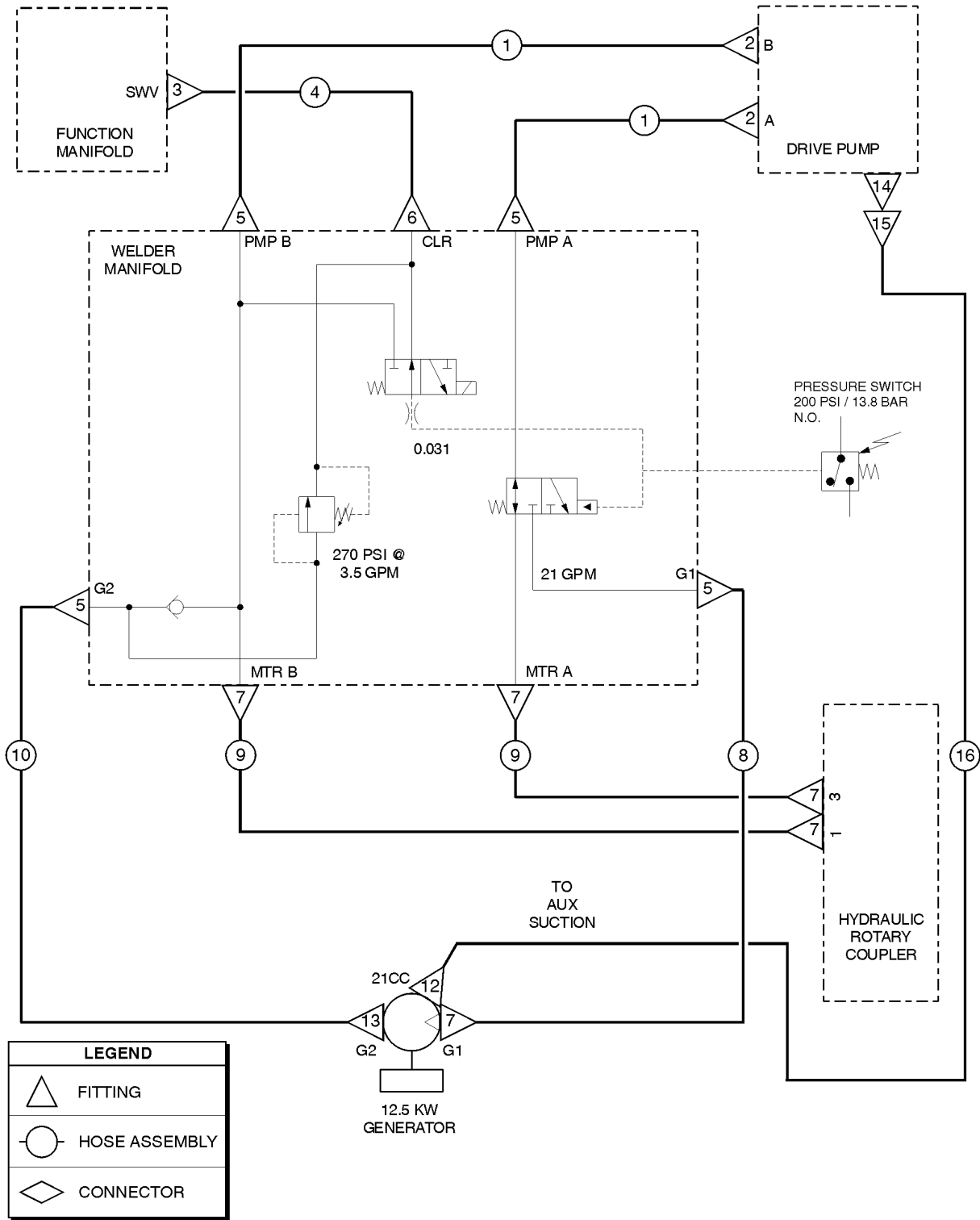
807.1 Hydraulic Oil Cooler Option

LEGEND	
	FITTING
	HOSE ASSEMBLY
	CONNECTOR



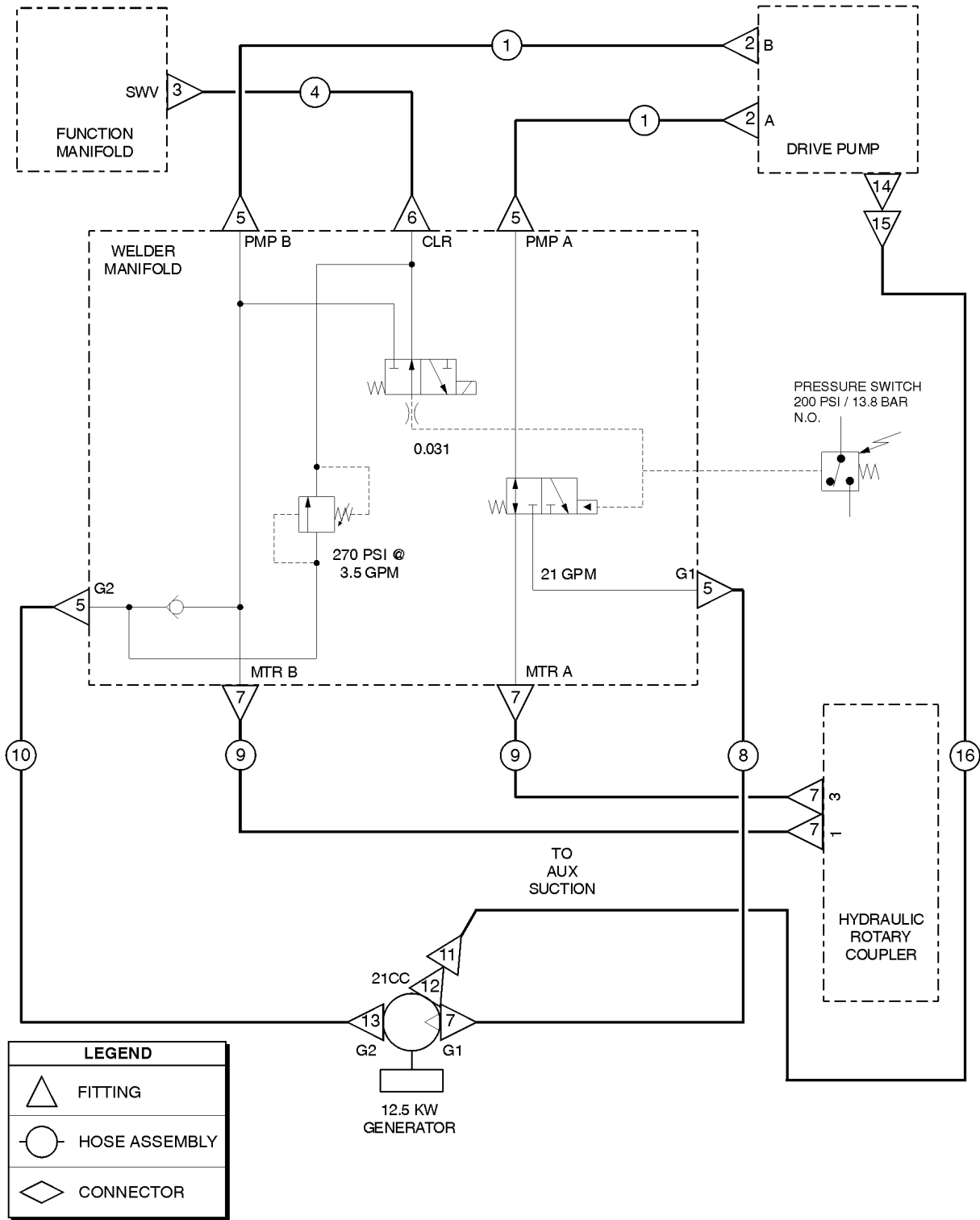
Item	Part No.	Description	Qty.
1	87172	PLUG,HEX SOCKET,090109B-12...1	
2	48984	CONN,520120-16.....2	
3	88949-3828	HOSE ASSY 1",STR FEM,STR FEM.....1	
4	48878	ELBOW,90D,520220-16-12.....1	
5	48960	FITTING,CONN,520120-12.....2	
6	49151-6248	HOSE ASSY,3/4,STR FEM,STR FEM.....1	
7	94205-3164	HOSE ASSY,3/4,45 FEM, STR MALE.....1	
8	101293	REDUCER,520123-16-12.....2	
9	42787	TEE,RUN,SWIVEL,520432-16.....1	
10	49150-2730	HOSE ASSY,3/4,90 FEM STR FEM**.....1	

808.1 Welder Option (to SN 26173)



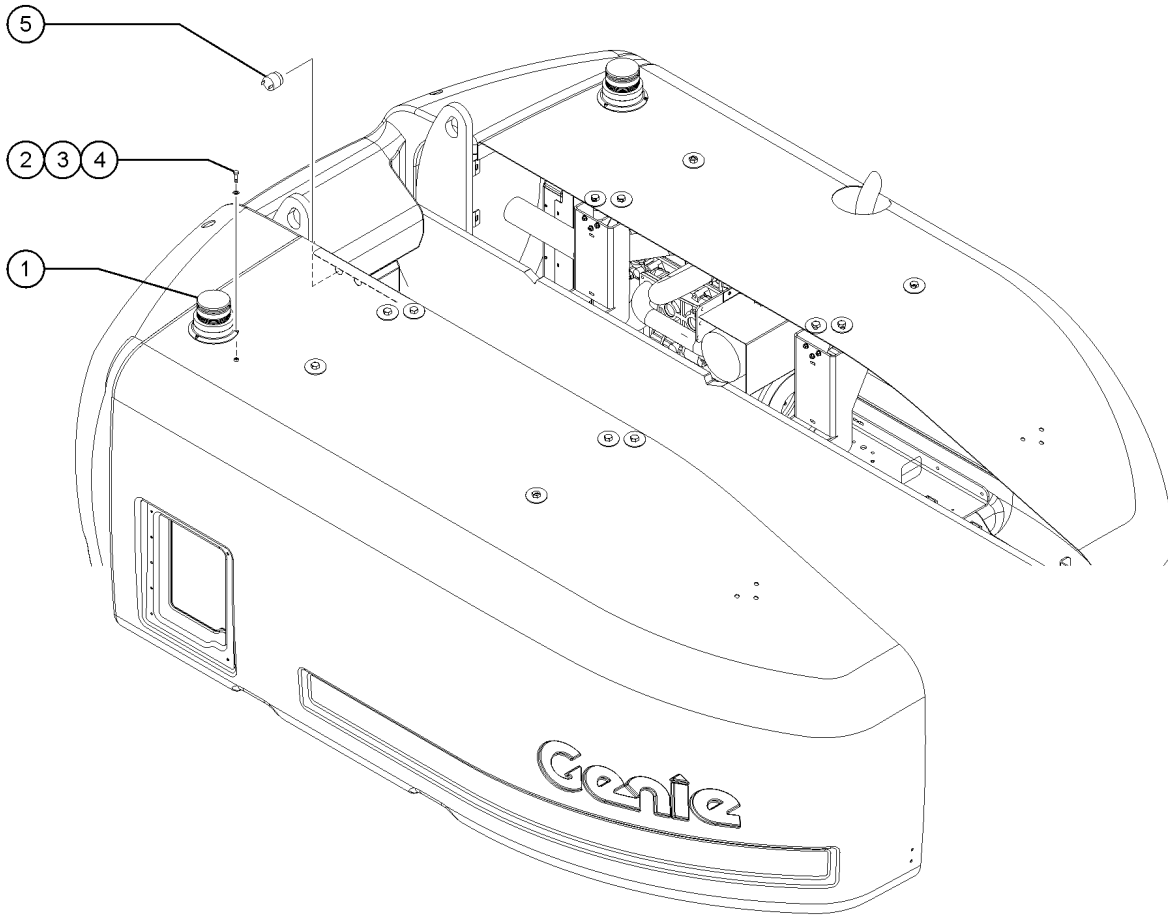
Item	Part No.	Description	Qty.
1	102313-3326	HOSE ASSY,3/4",45F,STR F.....2 (components: 48841, 48845, and 94358 @ 30 inches)	
2	48978	ELBOW,45D,520320-12-16.....1	
3	48948	CONN,520120-8-12.....1	
4	49183-8492	HOSE ASSY,1/2,STR FEM,STR FEM*.....1 (components: 48822, 48822, and 48756 @ 83 inches)	
5	48963	FITTING,ELBOW,45D,520320-12***.4	
6	48933	CONN,520120-8***1	
7	48960	FITTING,CONN,520120-12.....5	
8	61072-2443	HOSE ASSY,3/4,45 FEM,STR FEM**1 (components: 48841, 48845, and 48762 @ 21 inches)	
9	94374-6030	HOSE ASSY,3/4,90 FEM,STR FEM.....2 (components: 48841, 48846, and 94358 @ 57 inches)	
10	61072-2543	HOSE ASSY,3/4,45 FEM,STR FEM**1 (components: 48841, 48845, and 48762 @ 22 inches)	
11	48941	REDUCER,520123-8-4	
12	48932	FITTING,ELBOW,90D,520220-8*** ..1	
13	61610	CONN,LONG,520122-12***1	
14	48961	TEE,RUN,520428-12.....1	
15	51580	FITTING,REDUCER,520123-12-8***.1	
16	218751	HOSE ASSY,1/2,90 FEM,STR FEM.....1 (components: 48822, 48827, and 48756 @ 60 inches)	

808.2 Welder Option (from SN 26174)



Item	Part No.	Description	Qty.
1	162164	HOSE ASSY,3/4,STR FEM STR FEM.....2 <i>(components: 48841, 48841, and 94358 @ 38 inches)</i>	2
2	48978	ELBOW,45D,520320-12-16.....1	1
3	48948	CONN,520120-8-12.....1	1
4	1251842	HOSE ASSY,1/2,STR FEM,STR FEM.....1 <i>(components: 48822, 48822, and 48756 @ 83 inches)</i>	1
5	48963	FITTING,ELBOW,45D,520320-12***.4	4
6	48933	CONN,520120-8***1	1
7	48960	FITTING,CONN,520120-12.....5	5
8	162162	HOSE ASSY,1/2,STR FEM,STR FEM.....1 <i>(components: 48841, 48845, and 48762 @ 21 inches)</i>	1
9	94374-6030	HOSE ASSY,3/4,90 FEM,STR FEM.....2 <i>(components: 48841, 48846, and 94358 @ 57 inches)</i>	2
10	162163	HOSE ASSY,3/4,45 FEM, STR FEM.....1 <i>(components: 48841, 48845, and 48762 @ 22 inches)</i>	1
11	48941	REDUCER,520123-8-4	
12	48932	FITTING,ELBOW,90D,520220-8*** ..1	1
13	61610	CONN,LONG,520122-12***1	1
14	48961	TEE,RUN,520428-12.....1	1
15	51580	FITTING,REDUCER,520123-12-8***.1	1
16	218751	HOSE ASSY,1/2,90 FEM,STR FEM.....1 <i>(components: 48822, 48827, and 48756 @ 60 inches)</i>	1

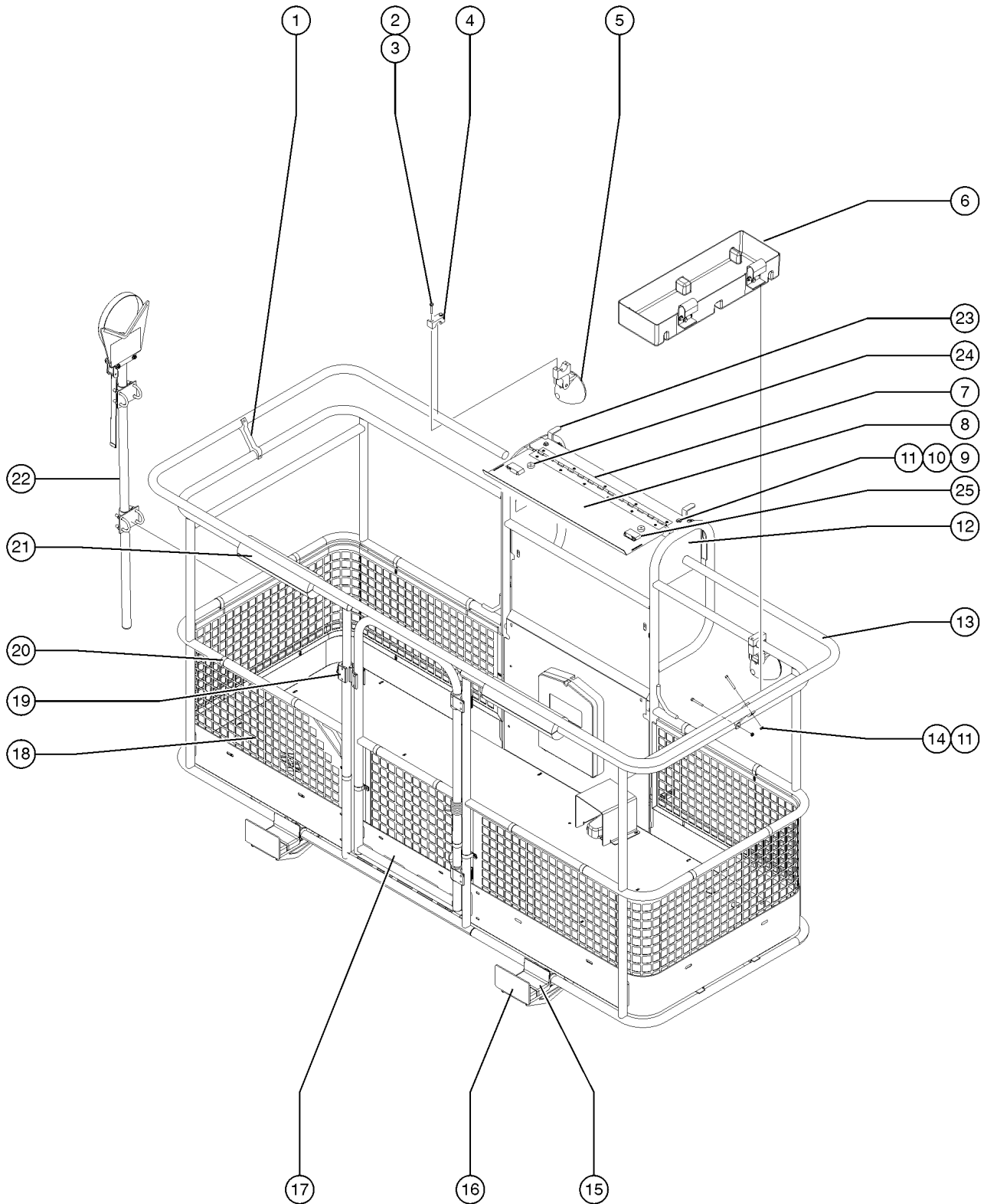
901.1 Alarm and Beacon Package



901.1 Alarm and Beacon Package

Item	Part No.	Description	Qty.
A	T109268	ACC, BEACON, TRVL ALARM	
1	56704	STROBE,FIREBOLT,12-80VDC,AMB**.2	
--	122019	FLASHTUBE,U SHAPED,360DEG,BULB	
--	226393	FLASHTUBE,STRAIGHT,360DEG,BULB	
--	72282	LENS,AMBER,STROBE,FIREBOLT	
2	6147	SCREW,RHM,10-32 X 1.....	6
3	6146	WASHER,FLAT,MS,#10,Y.....	6
4	6178	NUT,NYLOCK,10-32.....	6
5	18963	ALARM.INTERMITTENT TONE.24V.....	1
		<i>72326 nut not included, order separately</i>	
5	72326	NUT - PLASTIC,RING FOR ALARMS.....	1

902.1 Platform Accessories

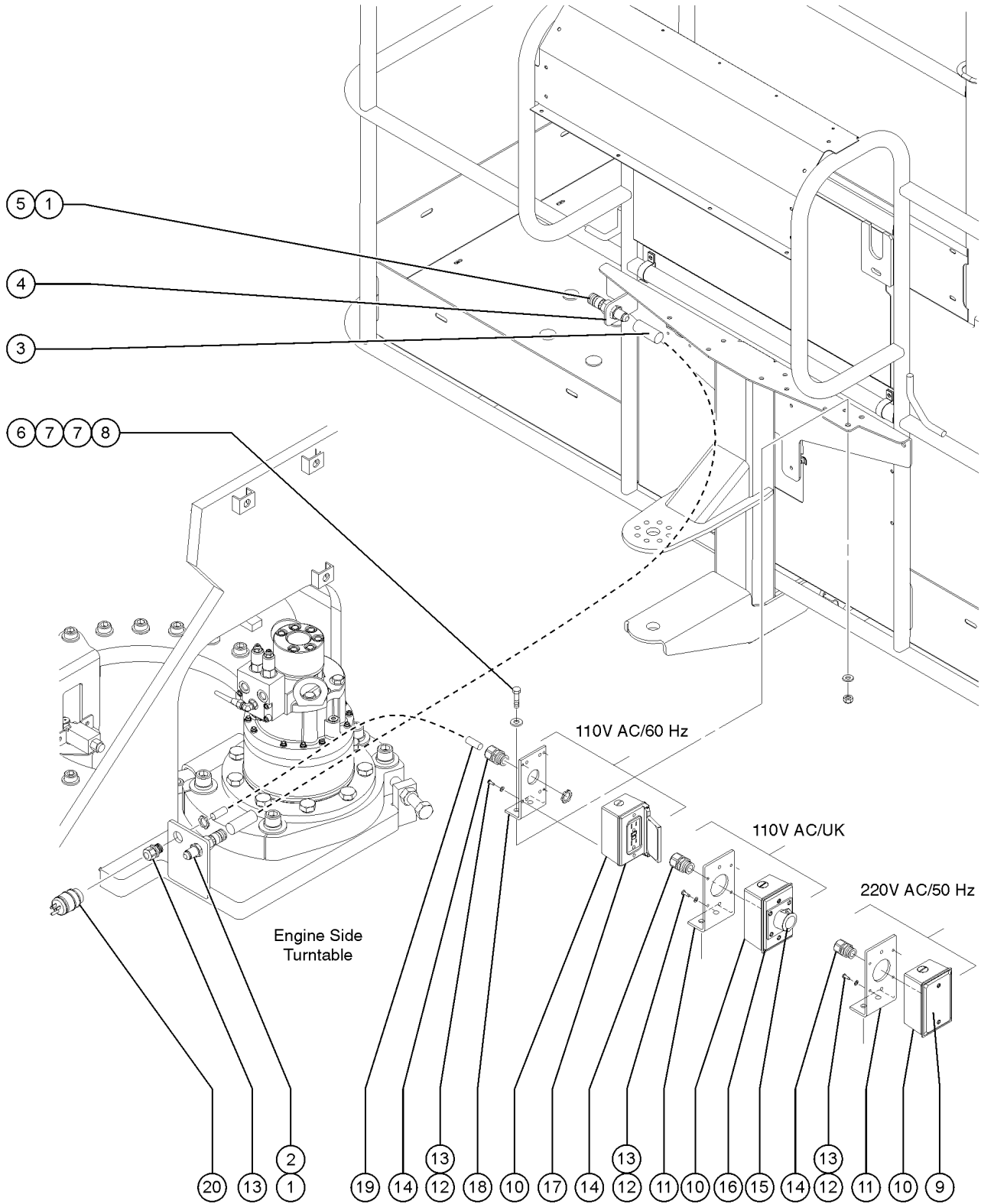


902.1 Platform Accessories

Item	Part No.	Description	Qty.	Item	Part No.	Description	Qty.
A	53808-S	AUX TOP RAIL,6'(1.25")SERVICE		--	55753	BUMPER, PLASTIC, 1.25 O.D.....2 <i>not included, order seperately</i>	
B	53807-S	AUX TOP RAIL,8'(1.25")SERVICE <i>includes items 1, 11 and 13-14</i>		13B	52661	PINCH GUARD RAIL,8' PLATFORM**.....1	
C	122278	AUX TOP RAIL,6',SWG GT, SRV		--	55753	BUMPER, PLASTIC, 1.25 O.D.....2	
D	122279	AUX TOP RAIL,8',SWG GT, SRV		13C	111485P	AUX TOP RAIL,6FT,PTD.....2 <i>for use with swing gate</i>	
E	T109328	ACC,PLAT CONTROL COVER, SERV <i>includes items 7-12 and 23-25</i>		13D	111486P	AUX TOP RAIL,8FT,PTD.....2 <i>for use with swing gate</i>	
F	119950	KIT,FIELD INSTALL,SWING GATE <i>includes 128368, 1487, 1488, and 33674</i>		14	4266	SCREW,HHC,1/4-20 X 2	
G	T109329	PIPE CRADLE SET, SERV <i>includes item 22</i>		15		Ref., Rest Pad <i>refer to 917.1</i>	
1	139958	KIT, AUX TOP RAIL SUPPORT.....10		16		Ref., Bracket <i>refer to 917.1</i>	
--	122073	SUPPORT, RAILING		17	128368	KIT,SWING GATE W/SPRING.....1	
2	6145	SCREW,HHC,1/4-20 X 1.5		--	9596	HINGE CASTING	
3	6356	WASHER,LOCK,.25		18A	73501	HALF MESH,8'PLATFORM,LH.....1	
4	35956	BRACKET,WORK LIGHT MOUNT 5/16".....2		18B	73500	HALF MESH,8'PLATFORM,RH***	
5		Ref. Worklight, 12V.....2 <i>refer to 918.1</i>		18C	54457	MESH,HALF,SWING GATE***	
6	9599-S	TOOL TRAY ACCESSORY***1		19	1487	GATE LATCH CASTING--DRILLED.....1	
--	7746	BRACKET-TOOL TRAY MOUNTING.....2		--	63311	SNAP PIN	
7	111526	HINGE,PLAT CONTROL BOX COVER.....1		20	56424	CLAMP,1.25X.5 RUBBER-CUSHION.....14	
--	54486	RIVET,ALUM,ALUM,3/16BUTTONHEAD <i>(not included - sold seperately)</i>		21		Ref., FOAM PAD <i>refer to 917.1</i>	
8	102785P	CONTROL BOX COVER,LID,PTD....1		22	85300	PIPE CRADLE ASSY. SERV (ONE)**.....2	
--	88606P	COVER,CONTROL BOX RIGHT SIDE**1 <i>(not included - sold seperately)</i>		--	72875	DECAL,WARNING,PIPE CRADLE,BOOM	
--	88607P	COVER,CONTROL BOX LEFT SIDE***1 <i>(not included - sold seperately)</i>		23	102786P	FORMING,LATCH,CTRL BOX LID PTD	
9	6090	SCREW,HHC,1/4-20 X .75		24	43392	BUMPER,BATTERY BOX & RAILS	
10	6638	WASHER,FLAT,USS,1/4"Y		25	30468	LATCH,SLIDE, FLUSH MOUNT STYLE	
11	6889	NUT,LP NYLOCK,1/4-20					
12A	88606P	COVER,CONTROL BOX RIGHT SIDE**1					
12B	88607P	COVER,CONTROL BOX LEFT SIDE***					
--	31120	PLUG,NYLON 1.187 BLACK DOMED					
13A	1259704	PINCH GUARD RAIL,6' PLATFORM.....1 <i>includes 55753 bumpers</i>					



903.1 Air Line and Power to Platform

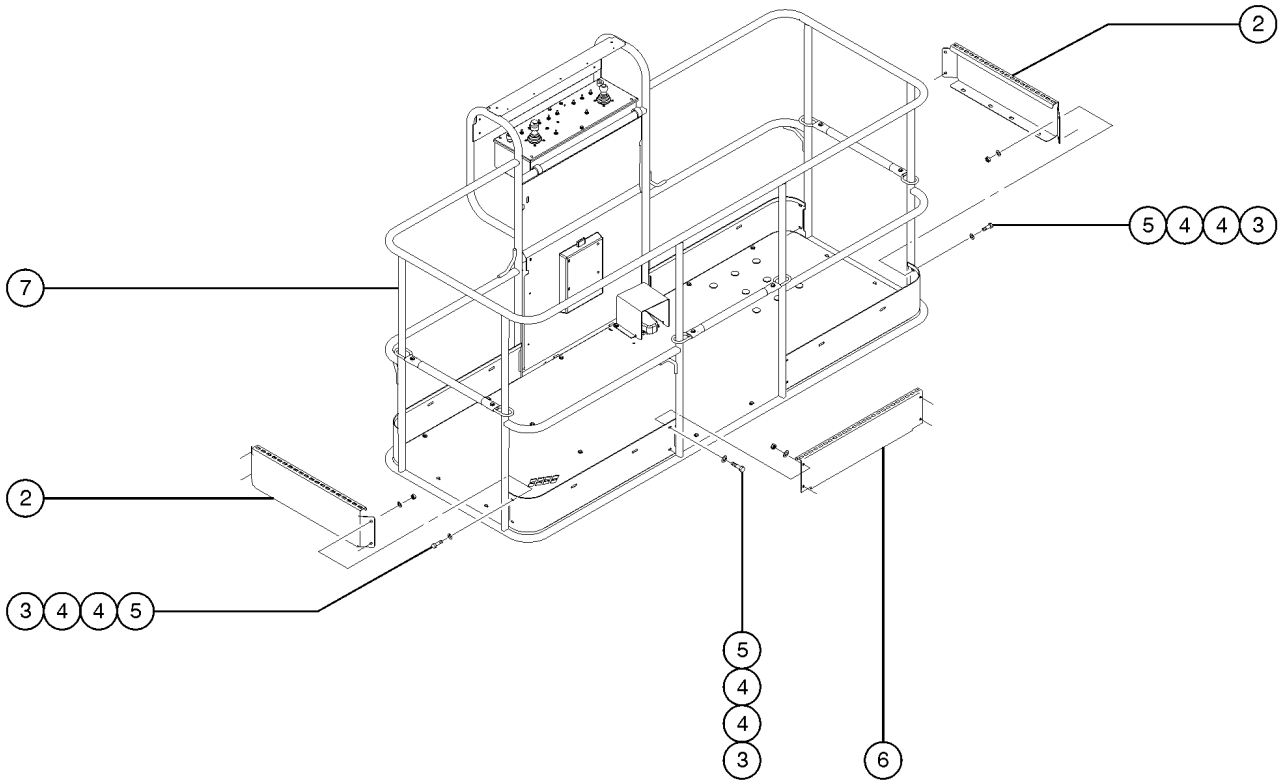
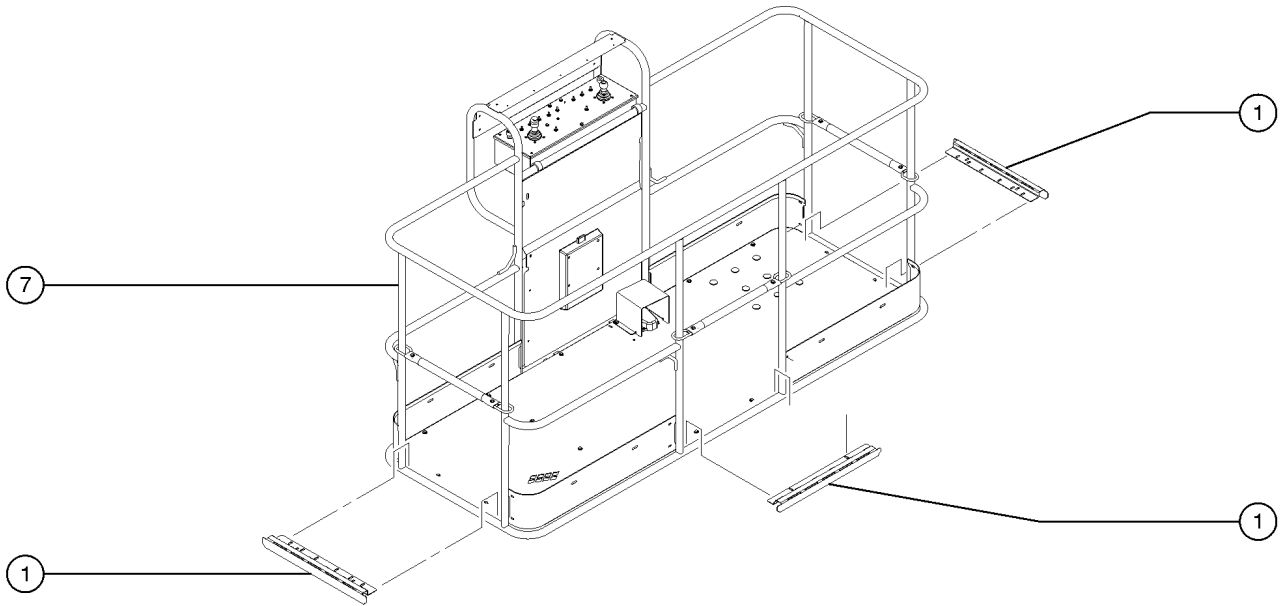


903.1 Air Line and Power to Platform

Item	Part No.	Description	Qty.	Item	Part No.	Description	Qty.
--	T109331	ACC,AIRLINE TO PLAT,S60 ,SERV		18	81096	BRACKET,POWER TO PLAT, DOM.....	1
--	119845	CLAMP, HYD WELD, AIR, OPT.....	1	19		Ref: Harness, Power to Platform..... <i>refer to section 307.1</i>	1
1	49212	FEMALE BULKHEAD CONNECTOR-8.....	2	20A	119403	CONN,PLUG 120 AC/15A DOMESTIC.....	1
2	49214	MALE PIPE THD,1/4" SER,3/8"X18		20B	119404	CONN,RECEP 120AC/15A DOMESTIC	
3A	49177-102894	HOSE ASSEMBLY,1/2****	1	20C	144161	PLUG,PWR,UK,16AMP,3PIN,BLK	
3B	49177-108894	HOSE ASSEMBLY,1/2**** S-65		20D	25388	PLUG,FUSED,250V,13AMP,U.K.**	
4	60886	FORMING,AIR FIT/WELD STUDPLAT*.....	1	20E	6666	PLUG,ELECTRICAL,220/50,NOVON	
5	49215	MPT,CPLR,1/4"SER,3/8"X18					
6	6019	SCREW,HHC,3/8-16 X 1.25 GRD 5.....	2				
7	5397	WASHER,FLAT,USS,5/16",Y.....	4				
8	4828	NUT,NYLOCK,3/8-16.....	2				
9	10777	COVER,BLANK.....	1				
--	33724	KIT,GASKET,UK POWER TO PLAT.					
--	81458	GASKET, UK POWER TO PLAT					
10	10775	T-BOX,2.75 X 4.5 X 2.0.....	1				
11	81096	BRACKET,POWER TO PLAT, DOM.....	1				
11	81570	BRACKET,POWER TO PLAT, UK.....	1				
12	57075	SCREW,PHIL,8-32X.50,SELF TAP	4				
13	35461	WASHER,FLAT,MS,#8,Y.....	4				
14	7056	CONN,SQUEEZE,1/2NPT .38-.50,SM.....	2				
--	6935	LOCKNUT,ELEC,1/2"					
15A	T112563	SVC KIT,UK RECEPT.REPLACEMENT..... <i>to SN 43389</i>	1				
--	63375	SCREW,FHM,6-32 X .75..... <i>for 33629</i>	2				
--	74052	GASKET,COVER,GFCI,WEATHERPROOF					
--	T112560	RECEPTACLE,UK,110V					
--	T112561	PLATE,UK,POWER TO PLAT					
15B	T112560	RECEPTACLE,UK,110V..... <i>from SN 43390</i>	1				
16	T112561	PLATE,UK,POWER TO PLAT.....	1				
17	13585	OUTLET,110V GFCI***	1				
--	74006	COVER,GFCI,HORIZONTAL,WEATHER					



904.1 Tri-Entry Platform Option

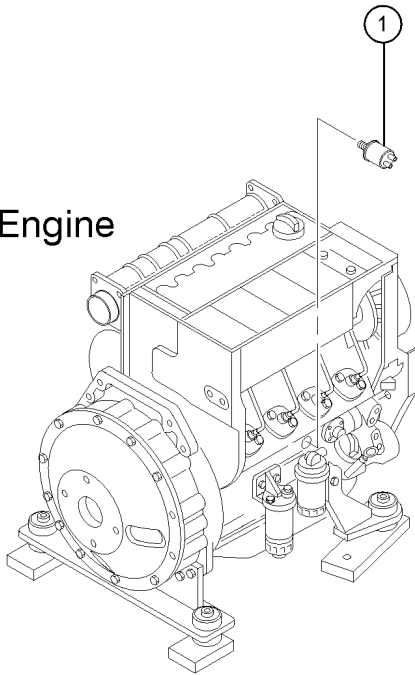


904.1 Tri-Entry Platform Option

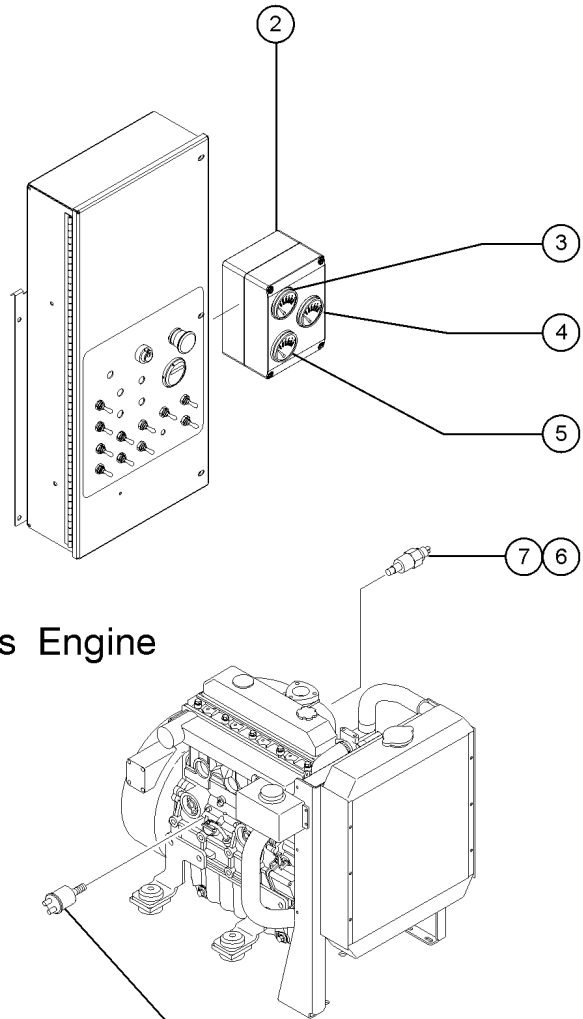
Item	Part No.	Description	Qty.
A		Note: For half mesh components refer to 902.1	
1	73610P-S	STEP PLATFORM ENTRY PAINTED.....	3
2A	139438	TOEBOARD, TRI ENTRY 6', EURO.....	2
2B	102721	TOEBOARD,8'TRI ENTRY	
3	6090	SCREW,HHC,1/4-20 X .75	
4	6638	WASHER,FLAT,USS,1/4"Y	
5	6889	NUT,LP NYLOCK,1/4-20	
6	94745P	TOEBOARD,ENTRY EUROPEAN PNTD**.....	1
7A	215747	PLAT ASSY,TRI ENT,S60/65,6'..... <i>decals not included, must order with platform decal kit, refer to section 100</i>	1
--	101973	WELDMENT,6 FT TRI ENTRY PLAT <i>decals not included, must order with platform decal kit, refer to section 100</i>	
7B	215748	PLAT ASSY,TRI ENT,8' <i>decals not included, must order with platform decal kit, refer to section 100</i>	
--	94869	WELDMENT,8FT TRI ENTRY PLAT <i>decals not included, must order with platform decal kit, refer to section 100</i>	

905.1 Gauge Option

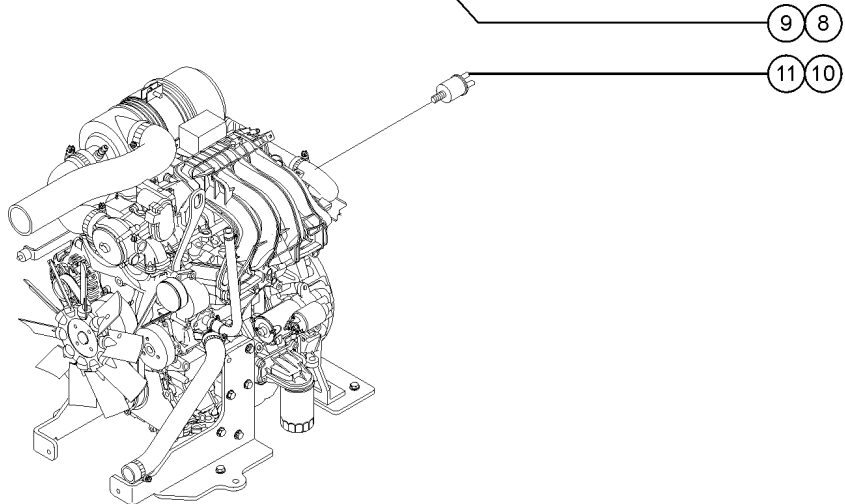
Deutz Engine



Perkins Engine

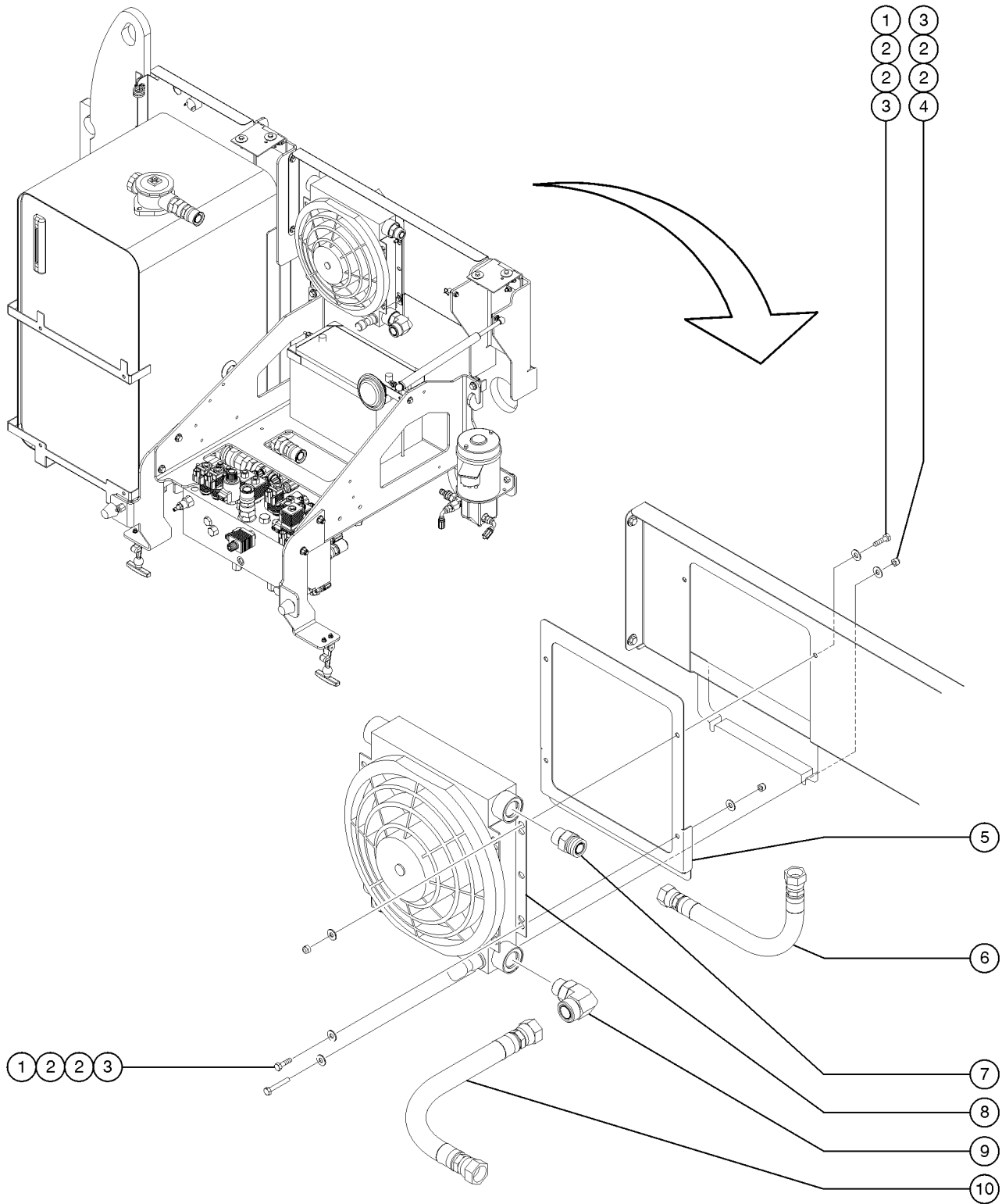


Ford Engine



Item	Part No.	Description	Qty.
A	T109334	ACC,FULL GAUGE,FORD DSG423,SV	
B	T109333	ACC,FULL GAUGE,DEUTZ,SERV	
C	T109332	ACC,FULL GAUGE,PERKINS,SERV	
1	106033	ADAPTER,NPT 6-4	
2	101232	ENCLOSURE BOX,GAUGE OPT,DRILLD.....1 <i>bracket not included</i>	
--	139878	FORMING, GAUGE OPTION BRACKET.....1 <i>not included with 101232, must order separately</i>	
3	53761-S	GAUGE,VOLTAGE.....1	
4	53758-S	GAUGE,OIL PRESSURE W/O SENDER.....1	
5	53759-S	GAUGE,WATER TEMP.....1 <i>Perkins and Ford models only</i>	
6	34058	SENDING UNIT,TMP,FRD,GM,PRK704.....1	
7	28607	ADAPTER,140139-8-6.....1	
8	30810	SENDING UNIT,OIL PRESSURE***.....1 <i>dual-terminal sender</i>	
9	71038	ADAPTER, 1/8 X 1/4 F3H6-S.....1	
10	119418	ADAPTER,140130-4-4.....1	
11	119417	TEE,RUN,1/4" PIPE.....1	

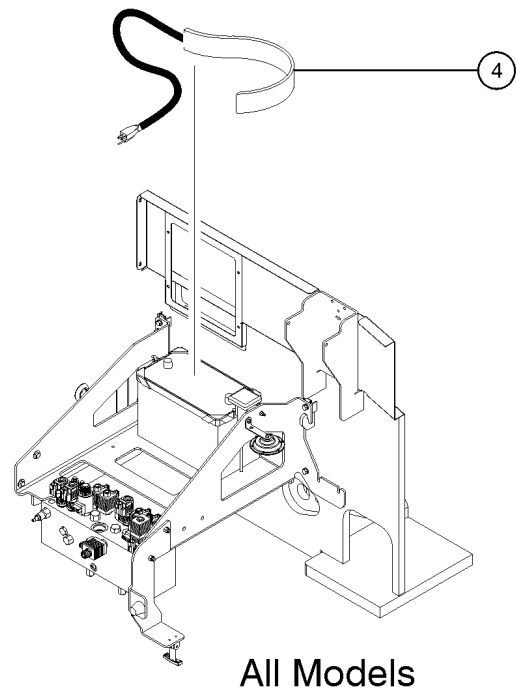
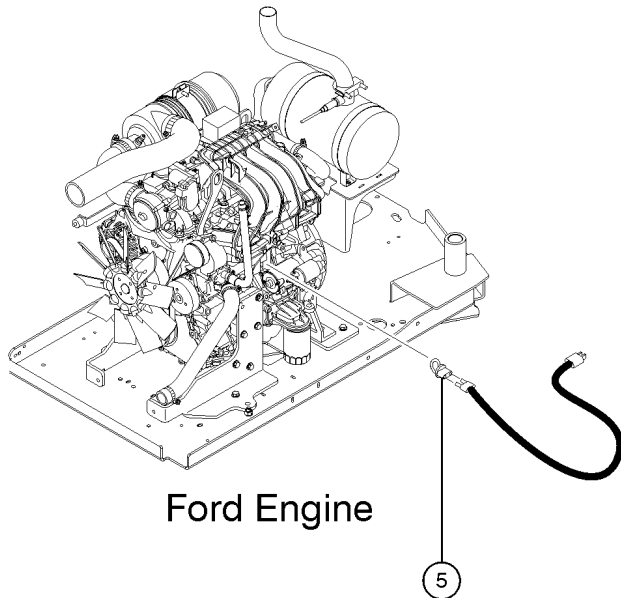
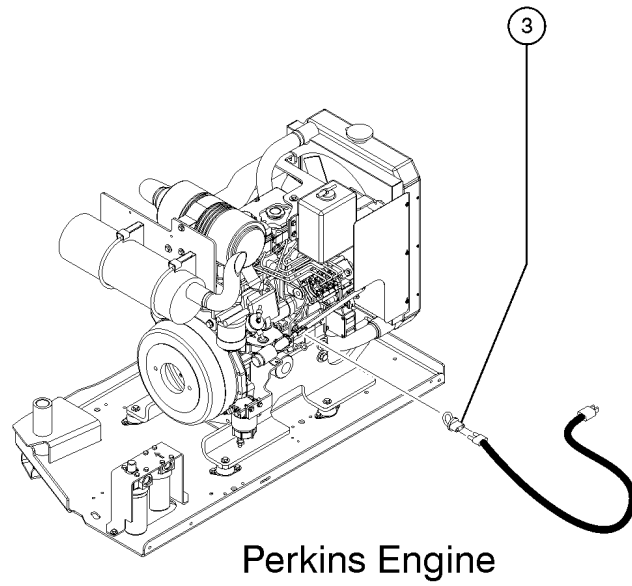
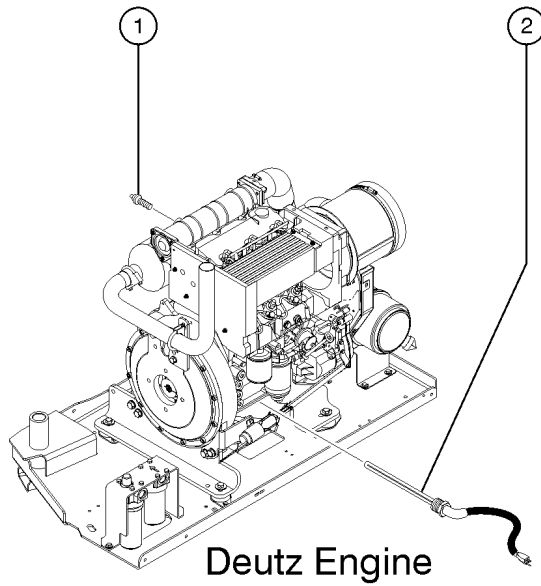
906.1 Hydraulic Oil Cooler Option



906.1 Hydraulic Oil Cooler Option

Item	Part No.	Description	Qty.
A	T109335	ACC, OIL COOLER,S60, SERV	
1	6888	SCREW,HHC,1/4-20 X 1.....	4
2	6638	WASHER,FLAT,USS,1/4"Y.....	12
3	6091	NUT,NYLOCK,1/4-20.....	6
4	6637	SCREW,HHC,1/4-20 X 1.75.....	2
5	77693	FORMING,OIL COOLER MOUNT...1	
6	49150-2730	HOSE ASSY,3/4,90 FEM STR FEM**.....	1
7	48960	FITTING,CONN,520120-12.....	1
8	71259	OIL COOLER W/FAN, 12VDC.....	1
9	48878	ELBOW,90D,520220-16-12.....	1
10	94205-3164	HOSE ASSY,3/4,45 FEM, STR MALE.....	1

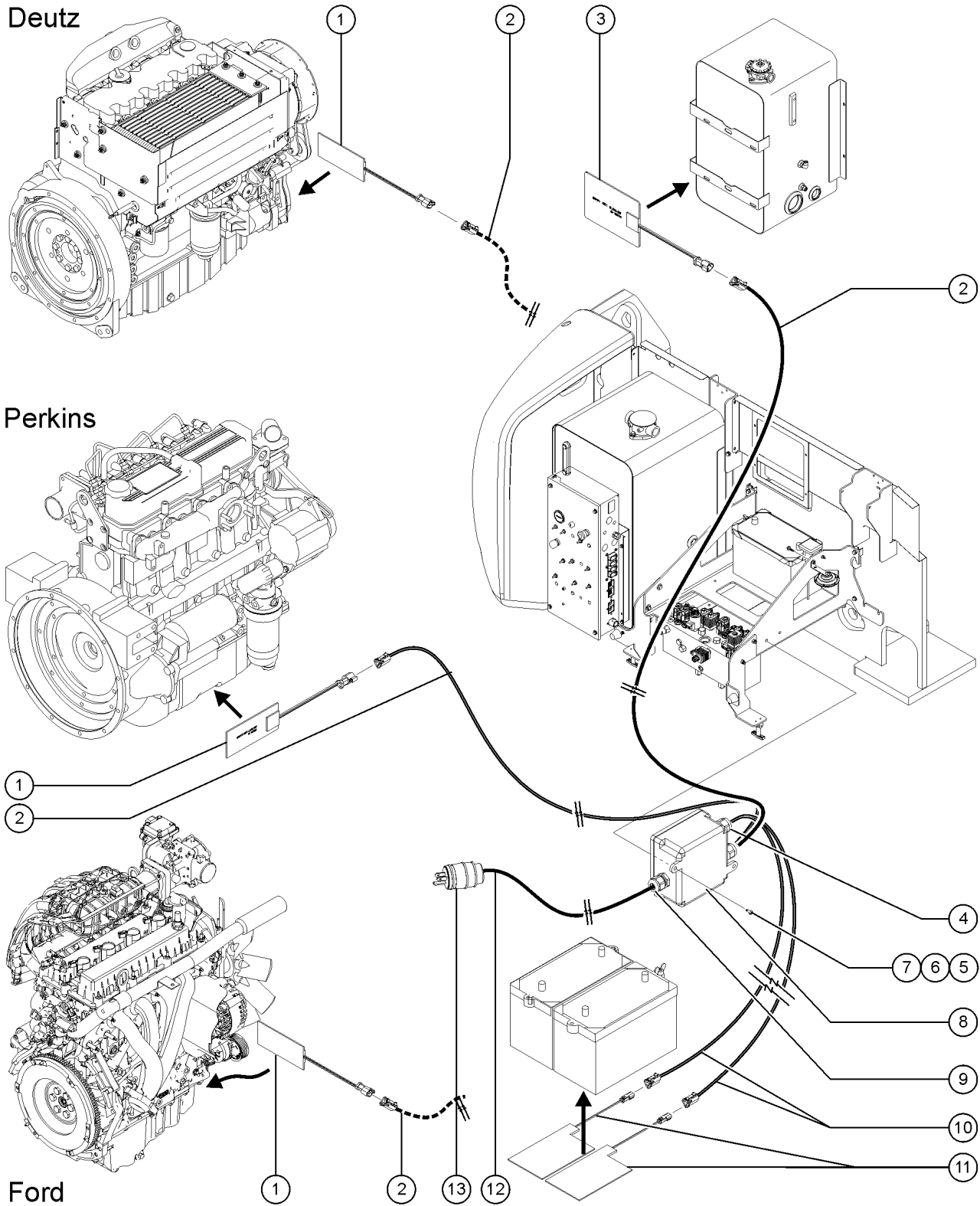
907.1 Cold Start Package (to SN 23597)



907.1 Cold Start Package (to SN 23597)

Item	Part No.	Description	Qty.
--	128146	OIL,ENG 5W-40 SYN***.....12-quarts <i>Deutz & Perkins Models</i>	
1A	31408	GLOW PLUG,L1011.....1	1
1B	128365	HARNES,SECOND GLOW PLUG.....1	1
--	55747	FUSE HOLDER,INLINE,GS <i>for 128365</i>	
--	61225	RELAY,12VDC,70AMP,SEALED <i>for 128365</i>	
2	128274	OIL PAN HEATER,DEUTZ,120V,150W.....1 <i>Deutz models</i>	1
3	77382	HEATER,FREEZE PLUG,PRKINS40422.....1 <i>Perkins models</i>	1
4	28853	BLANKET,BATTERY.....1 <i>all models</i>	1
5	119231	BLOCK HEATER,FORD DSG-423...1 <i>Ford models</i>	1
--	35610	HEATER,FREEZE PLUG,FORD LRG423.....1 <i>Ford Models</i>	1

907.2 Cold Start Package (from SN 23598)



907.2 Cold Start Package (from SN 23598)

Item	Part No.	Description	Qty.	Item	Part No.	Description	Qty.
--	NOTE:	Plugs were added to the harnesses on SN 24976		--	238123	HUBBLE NUT, PG11	
1A	231015	HEATER, ADHESIVE, 2.1 AMP,120V.....1 <i>120v models (to SN 24975) (no plug)</i>	1	5	75041	SCREW,PHILLIPS,PHM,10-32 X 1	
1B	231014	HEATER, ADHESIVE, 1 AMP, 240V.....1 <i>240v models (to SN 24975) (no plug)</i>	1	6	6146	WASHER,FLAT,MS,#10,Y	
1C	216615	ASSY HEATER, MODEL 18, 120V.....1 <i>120v models (from SN 24976)</i>	1	7	14392	NUT,LP NYLOCK,10-32	
--	119066	CONN,RECEP 3 WAY ENDCAP DT		8	214249	COLD WEATHER 120V J BOX ASSY.....1	
--	60441	LOCK,RECEP 3 WAY,14-18GA		--	13597	TERMINAL,#10 RING,BLUE.....4	
1D	216616	ASSY HEATER, MODEL 18, 240V.....1 <i>240v models (from SN 24976)</i>	1	--	215347	COLD PKG GROUND, JUMPER ASSY.....1	
--	119066	CONN,RECEP 3 WAY ENDCAP DT		--	69776	TERMINAL,STRIP,4-POLE,600V***.1	
--	60441	LOCK,RECEP 3 WAY,14-18GA		9	214536	SQUEEZE CONN W/NUT, 2WIRE, 4MM.....1 <i>included in harness</i>	
2A	216662	HARNESSE,ENG/HYD HEATER,120V.....1 <i>120v models (from SN 24976)</i>	1	10A	216655	HARNESSE,BATT CABLE,120V <i>120v models (from SN 24976)</i>	
--	101199-200	SHRINK TUBE,BLACK,RHW,1/2,3:1		--	101199-200	SHRINK TUBE,BLACK,RHW,1/2,3:1	
--	119057	CONN PLUG 3 WAY ENDCAP DT		--	119056	CONN PLUG 2 WAY ENDCAP DT	
--	60427	LOCK,PLUG 3 WAY,14-18GA		--	60425	LOCK,PLUG 2 WAY, 14-18GA	
2B	216683	HARNESSE,ENG/HYD HEATER,240V.....1 <i>240v models (from SN 24976)</i>	1	10B	216676	HARNESSE,BATT CABLE,240V <i>240v models (from SN 24976)</i>	
--	101199-200	SHRINK TUBE,BLACK,RHW,1/2,3:1		--	101199-200	SHRINK TUBE,BLACK,RHW,1/2,3:1	
--	119057	CONN PLUG 3 WAY ENDCAP DT		--	119056	CONN PLUG 2 WAY ENDCAP DT	
--	60427	LOCK,PLUG 3 WAY,14-18GA		--	60425	LOCK,PLUG 2 WAY, 14-18GA	
3A	236475	HEATER, ADHESIVE, 4.6AMP, 120V.....1 <i>120v models (to SN 24975) (no plug)</i>	1	11A	231013	HEATER,120V BATTERY <i>120v models (to SN 24975) (no plug)</i>	
3B	236474	HEATER, ADHESIVE, 2.3AMP, 240V.....1 <i>240v models (to SN 24975) (no plug)</i>	1	11B	231012	HEATER,240V,BATTERY <i>240v models (to SN 24975) (no plug)</i>	
3C	216612	ASSY,120V HEATER, HYD TANK....1 <i>120v models (from SN 24976)</i>	1	11C	216617	ASSY, BATTERY HEATER, 120V <i>120v models (from SN 24976)</i>	
--	119066	CONN,RECEP 3 WAY ENDCAP DT		--	119065	CONN,RECEP 2 WAY ENDCAP DT	
--	60441	LOCK,RECEP 3 WAY,14-18GA		--	60439	LOCK,RECEP 2 WAY, 14-18GA	
3D	216611	ASSY,240V HEATER, HYD TANK....1 <i>240v models (from SN 24976)</i>	1	11D	216618	ASSY, BATTERY HEATER, 240V <i>240v models (from SN 24976)</i>	
--	119066	CONN,RECEP 3 WAY ENDCAP DT		--	119065	CONN,RECEP 2 WAY ENDCAP DT	
--	60441	LOCK,RECEP 3 WAY,14-18GA		--	60439	LOCK,RECEP 2 WAY, 14-18GA	
4	99778	CABLE SQUEEZE CONN,4 WIRE...2 <i>included in harness</i>	2	12A	214410	COLD PKG PIGGY TAIL, 120V ASSY.....1 <i>120v models (to SN 24975)</i>	
				12B	214411	COLD PKG PIGGY TAIL, 240V ASSY.....1 <i>240v models (to SN 24975)</i>	
				12C	216606	HARNESSE, 120V POWER CORD, 24".....1 <i>120v models (from SN 24976) includes plug and hubble</i>	

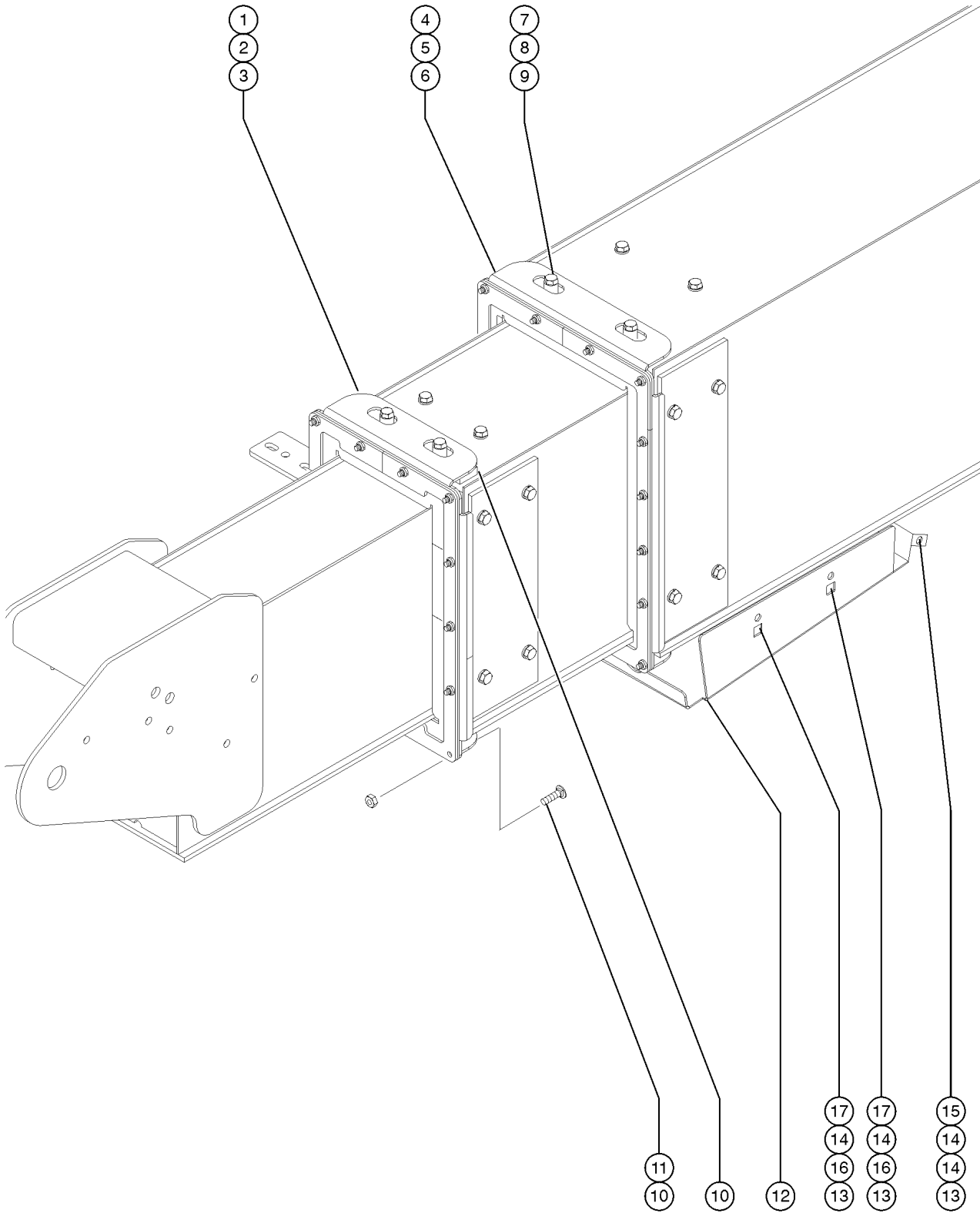


907.2 Cold Start Package (from SN 23598)
(continued)

Item	Part No.	Description	Qty.
--	101199-200	SHRINK TUBE,BLACK,RHW,1/2,3:1	
--	45845	TERMINAL,RING,#10 YELLOW	
12D	216607	HARNESS, 240V POWER CORD, 24"1 <i>240v models (from SN 24976)</i> <i>includes hubble</i>	
--	101199-200	SHRINK TUBE,BLACK,RHW,1/2,3:1	
--	45845	TERMINAL,RING,#10 YELLOW	
13	119403	CONN,PLUG 120 AC/15A DOMESTIC.....1 <i>120v models</i>	

This Page Intentionally Left Blank

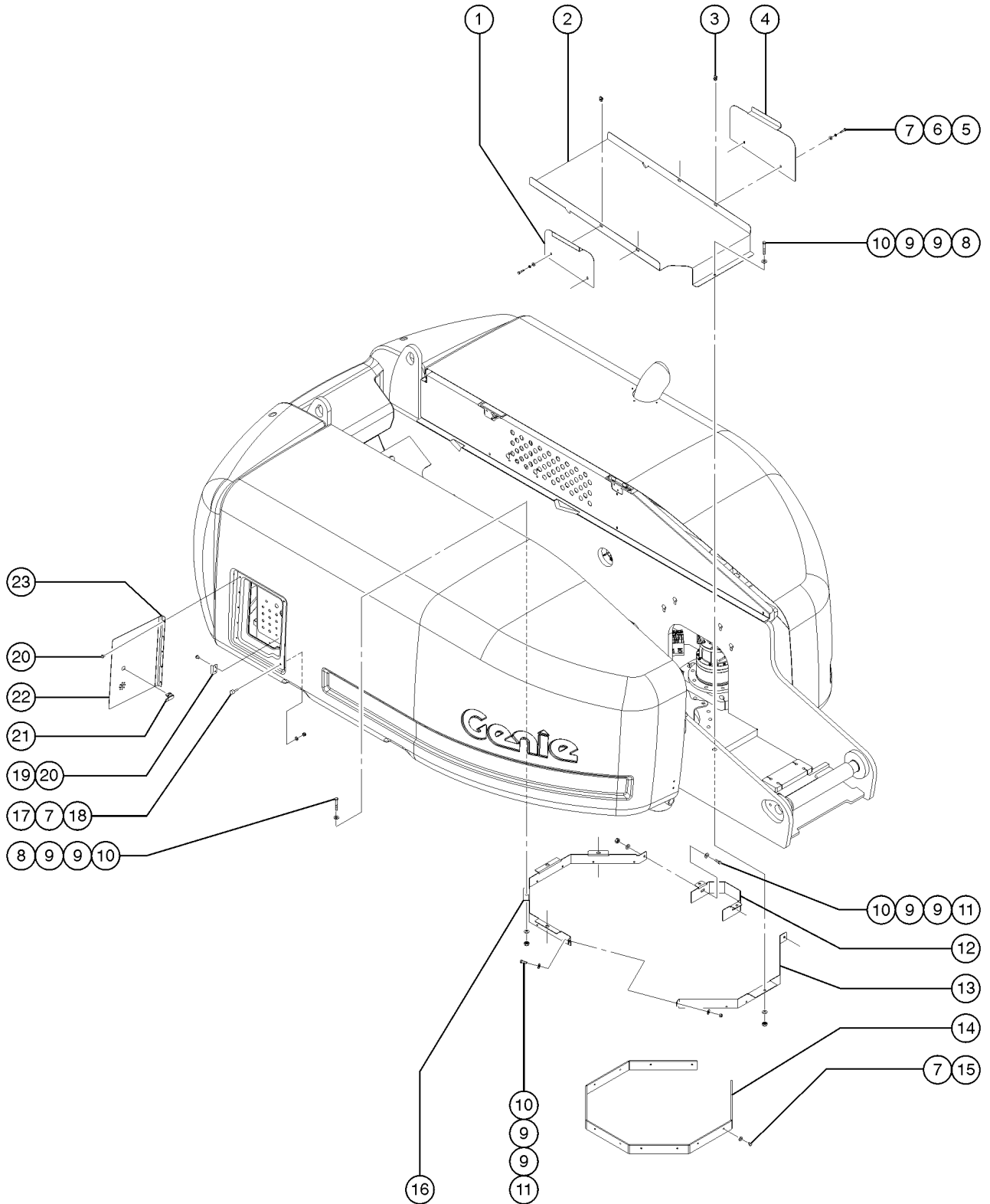
908.1 Hostile Environment Package, Boom Wipers



908.1 Hostile Environment Package, Boom Wipers

Item	Part No.	Description	Qty.
1	119087	FORMING BRKT, WIPER 2 TO 3....2	
2	119089	WIPER RUBBER, 2 TO 3.....1	
3	119088	PLATE BACKING, WIPER 2 TO 3....2	
4	119084	FORMING BRKT, WIPER 1 TO 2....2	
5	119086	WIPER RUBBER, 1 TO 2.....1	
6	119085	PLATE BACKING, WIPER 1 TO 2....2	
7	5224	SCREW,HHC,3/8-16 X 2.....8	
8	101932	TUBE,RD,STL,DOM,.75X.38X.78...8	
9	119090	SPACER, BOOM TOP.....2	
10	6878	BOLT,CARRIAGE,1/4-20 X .75,G2	
11	6889	NUT,LP NYLOCK,1/4-20	
12	147783	COVER,LIMIT SWITCH ASSY,S60.....1	
12A	6833	CLAMP,0.50,#8 X 1/4,RUB CUSH...3	
13	6888	SCREW,HHC,1/4-20 X 1.....6	
14	6638	WASHER,FLAT,USS,1/4"Y.....8	
15	6091	NUT,NYLOCK,1/4-20.....2	
16	6356	WASHER,LOCK,.25.....4	
17	56912	SPRING CLIP,1/4-20,.025-.15X.5....4	

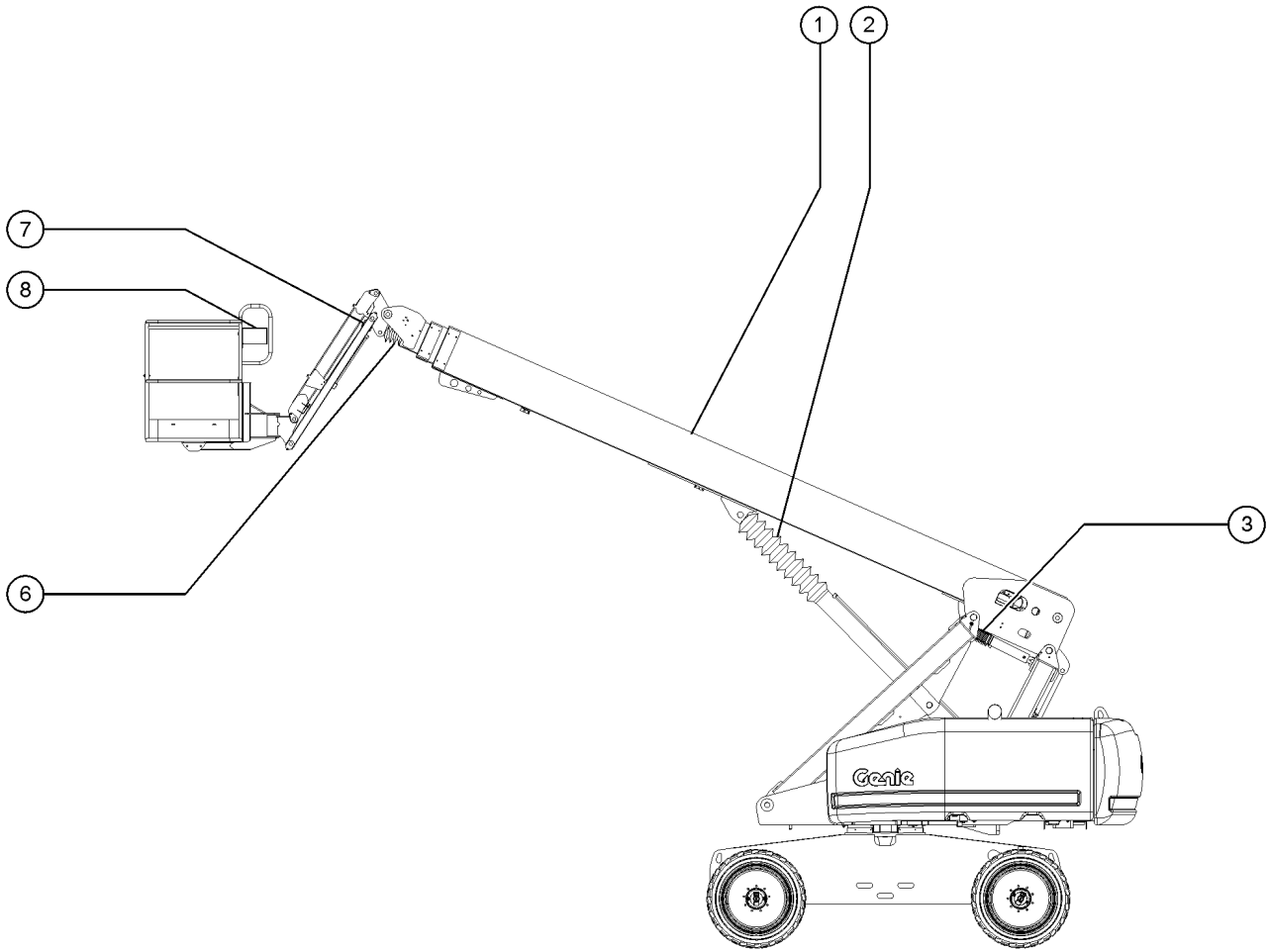
909.1 Hostile Environment Package, Turntable Components



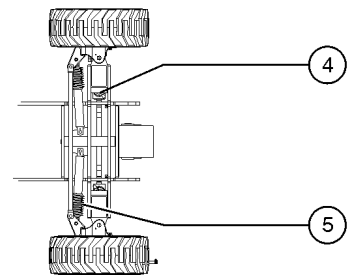
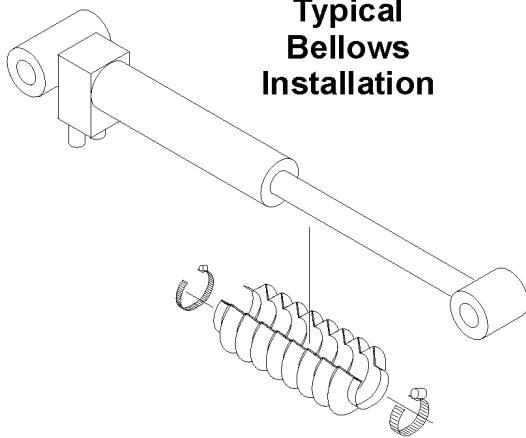
909.1 Hostile Environment Package, Turntable Components

Item	Part No.	Description	Qty.
1	77997P	FORMING,TT LH SIDE COVER PAINT.....	1
2	77996P	TURNABLE CENTER COVER PAINTED.....	1
3	56912	SPRING CLIP,1/4-20,.025-.15X.5.....	4
4	77998P	FORMING,TT RH SIDE COVER PAINT.....	1
5	8915	SCREW,HHC,1/4-20 X 1.25	
6	6356	WASHER,LOCK,.25	
7	6638	WASHER,FLAT,USS,1/4"Y	
8	8178	SCREW,HHC,3/8-16 X 2.5	
9	6097	WASHER,FLAT,USS,3/8",Y	
10	4828	NUT,NYLOCK,3/8-16	
11	6175	SCREW,HHC,3/8-16 X 1	
12	77879P	FORMING,PINION GUARD PAINTED.....	1
13	70318P	FORMING,WIPER GUARD RT..... <i>models with Deluxe Hostile Option</i>	1
14	70319	WIPER,RING GEAR GUARD..... <i>models with Deluxe Hostile Option</i>	1
15	81167	RIVET,ALUM,P,.25X.625.....	14
16	70317P	FORMING,WIPER GUARD LT..... <i>models with Deluxe Hostile Option</i>	1
17	36388	BUMPER,RUBBER,.75 X .50H,STUD.....	2
18	6889	NUT,LP NYLOCK,1/4-20	
19	63772	CATCH,GRND.CTRL.BOX COVER.....	1
20	53189	RIVET,ALUM,ALUM,P,.25X.375.....	12
21	63773	LATCH,GRND.CTRL.BOX COVER.....	1
22	147644	COVER,GRND.CTRL.BOX,PAINTED.	1
23	121831	HINGE,GROUND BOX COVER.....	1

910.1 Hostile Environment Package, Cylinder Bellows and Cable Track Protection



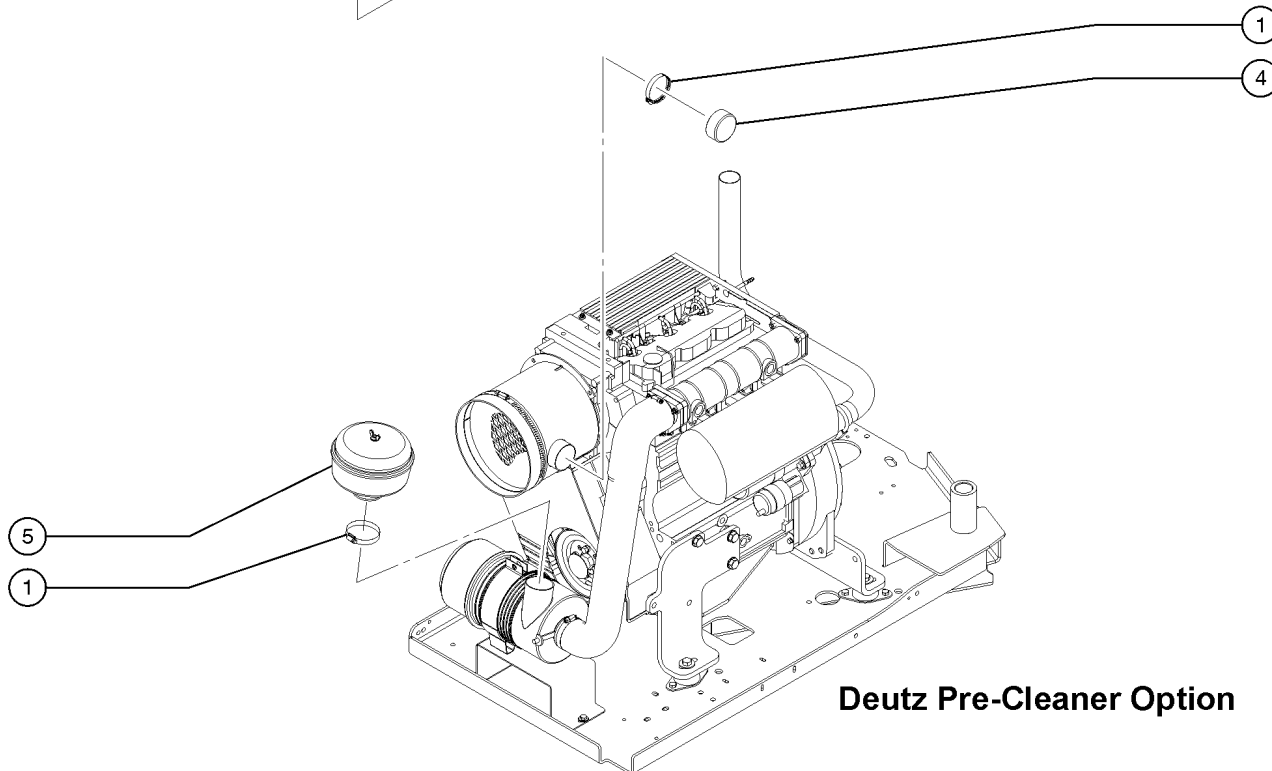
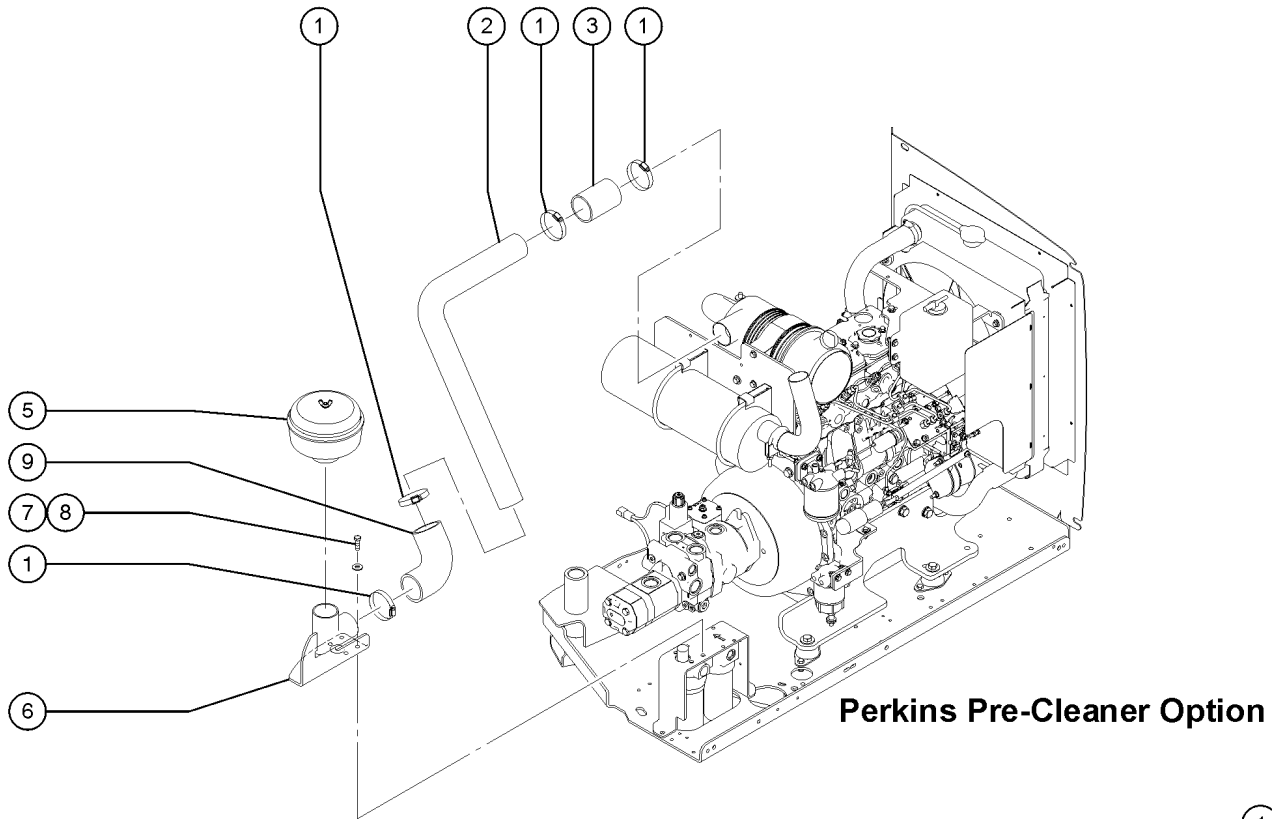
**Typical
Bellows
Installation**



910.1 Hostile Environment Package, Cylinder Bellows and Cable Track Protection

Item	Part No.	Description	Qty.
1	106099	COVER,CABLE TRACK.....1 <i>(not shown) models with Deluxe Hostile Option</i>	1
1	6091	NUT,NYLOCK,1/4-20.....4	4
1	6638	WASHER,FLAT,USS,1/4"Y.....8	8
1	6888	SCREW,HHC,1/4-20 X 1.....4	4
2	94479	BELLOWS,CYLINDER LIFT.....1	1
--	34955	CLAMP,HOSE,5.00	
--	35432	CLAMP,HOSE,6.50	
3	94463	BELLOWS,MASTER CYLINDER.....1	1
--	22672	CLAMP,HOSE,1.75	
--	34955	CLAMP,HOSE,5.00	
4	63727	COVER, PROTECTIVE, OSCILLATE.....2 <i>Oscillate Only</i>	2
--	22672	CLAMP,HOSE,1.75 <i>Oscillate Only</i>	
--	34955	CLAMP,HOSE,5.00 <i>Oscillate Only</i>	
5	34922	COVER,PROTECTIVE,STEERING..2	2
--	22672	CLAMP,HOSE,1.75	
--	34955	CLAMP,HOSE,5.00	
6	94537	BELLOWS,CYLINDER,PLAT LEVEL.....1	1
--	22672	CLAMP,HOSE,1.75	
--	23405	NUTSERT,10-32 STEEL CAD PLTD	
--	49824	SCREW,PHILLIPS,FHM,10-32X1.00	
--	6146	WASHER,FLAT,MS,#10,Y	
--	94533	PLATE,BACKING BELLOWS	
7	34505	COVER,PROTECTIVE,JIB CYLINDER.....1 <i>S-65 Only</i>	1
--	30971	CLAMP,HOSE,3.00" <i>S-65 Only</i>	
--	36208	CLAMP,HOSE,1.25*** <i>S-65 Only</i>	
8	T107895	DECAL,PROTECTOR,CLEAR.....1	1

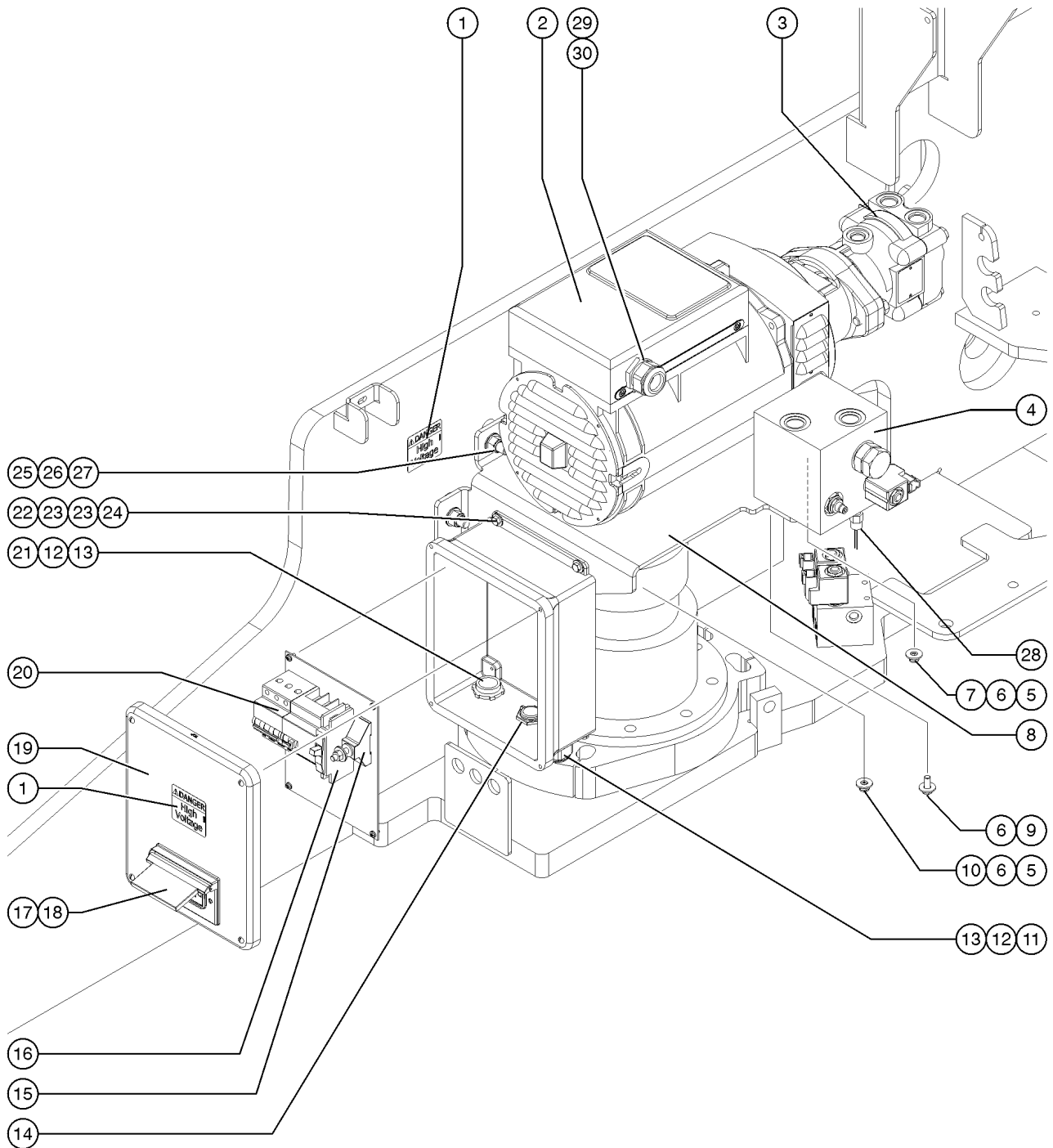
911.1 Hostile Environment Package, Engine Air Pre-Cleaners



911.1 Hostile Environment Package, Engine Air Pre-Cleaners

Item	Part No.	Description	Qty.
A	T109339	ACC,AIR PRE-CLEANER,DEUTZ	
B	T109340	ACC,AIR PRE-CLEANER,PERKINS T2	
1	45435	CLAMP,HOSE,2.50"*** <i>Deutz and Perkins Models</i>	4
2	77891	TUBE,AIR INTAKE.....	1
3	34162-0400	HOSE,AIR INTAKE 2.5" I.D.....	1
4	70529	CAP,PLASTIC,2.5 ID.....	1
5	34959	PRECLEANER,AIR INTAKE***	1
6	77887	WELDMENT,PRECLEANER BRACKET.....	1
7	6019	SCREW,HHC,3/8-16 X 1.25 GRD 5	
8	6097	WASHER,FLAT,USS,3/8",Y	
9	34164	ELBOW,90 DEGR,RUBBER,2.5"I.D.*.....	1

912.1 Welder Option - Chassis components



912.1 Welder Option - Chassis components

Item	Part No.	Description	Qty.	Item	Part No.	Description	Qty.
A	119846	CLAMP, WELD LEADS, AIR, OPT...1		--	94759	NUT,SOLENOID	
B	128050	CLAMP, HYD, WELD, AIR, OPT.....1		--	94760	VALVE-SOLENOID,10V,W/OUT COIL*	
C	106520	GROUNDING CABLE ASSEMBLY,18".....1		--	94765	COIL-10V DC***	
1	82237	DECAL,DANGER,HIGH VOLTAGE.....2		5	6037	NUT,HEX,5/16-18,GR5	
2	139367	GENERATOR,HYDRA,25CC,208V***.1 <i>Harrison Generator; includes item 3; Consult Factory prior to ordering</i>		6	5397	WASHER,FLAT,USS,5/16",Y	
--	106113	GENERATOR,HYDRO-12KEP-21-3*** <i>Fabco Generator; includes item 2; Consult Factory prior to ordering</i>		7	13000	SCREW,HHC,5/16-18 X 1.25	
--	139919	FITTING,ORIFICE,.047 <i>for 139367</i>		8	106114	BRACKET,GENERATOR12.5 KW,PNTD*.....1	
--	58631	COUPLER,INSERT <i>for 139367</i>		9	10107	SCREW,HHC,5/16-18 X .75	
--	T113655	COUPLING, 28MM (106113) <i>for 106113</i>		10	13002	SCREW,HHC,5/16-18 X 1 GR5	
--	T114022	SPIDER (106113) <i>for 106113</i>		11	20776	CABLE SQUEEZE CONN.....1	
--	T114023	COUPLING (106113) <i>for 106113</i>		12	18665	LOCKNUT,ELECTRIC,1" NPT.....2	
3	33432	MOTOR,HYD,25CC FIXED***.....1 <i>Sauer Motor for Harrison Generator; Consult Factory</i>		13	106104	O-RING,SEAL RING,1" NPT.....1	
--	106184	MOTOR,HYD 12.5KW GEN,21CC*** <i>Fabco Motor; Consult Factory</i>		14	106495	PLUG,1/2" HUBBLE.....1	
--	147418	ASSY,BLEED LINE (139367) <i>for 139367</i>		15	106108	TERMINAL,STUD BOLT,250 V.....1	
--	162006	SEAL KIT,HYD MOTOR(106184) <i>for 106184</i>		--	5397	WASHER,FLAT,USS,5/16",Y	
--	32675	SEAL KIT,SUNSTRAND <i>for 33432</i>		--	6037	NUT,HEX,5/16-18,GR5	
4	101516	MANIFOLD,DRIVE OIL DIVERter***.....1		16	106073	CIRCUIT BREAKER,20A,SINGLE PH.....1	
--	102746	VALVE,PILOT OPER DIRECTIONAL**		17	74006	COVER,GFCI,HORIZONTAL,WEATHER.1	
--	106394	ORIFICE DISC,.030,CONE		18	80543	RECEPTACLE, 120VAC, 20A, GFCI.....1	
--	122302	RELIEF,VALVE 270 PSI		19	101947	J-BOX ASSEMBLY,8X10.....1	
--	128416	SEAL KIT		20A	106477	GFI/CIRCUIT BREAKER ASSEMBLY.....1 <i>to SN 22404</i>	
--	128419	SEAL KIT		--	106374	CIRCUIT BREAKER,50A,3P <i>for 106477</i>	
--	146284	SWITCH,PRESS,#4NPT,200PSIF		--	106375	GFCI,50A, 3PH <i>for 106477</i>	
--	146285	CONN, SAE#4-1/4" NPT <i>for 146284</i>		20B	227426	ASSEMBLY,GFCI/CIRCUIT BREAKER <i>from SN 22405</i>	
--	94757	VALVE,CHECK,3 PSI***		--	227424	CIRCUIT BREAKER,GFCI 35AMP 3PH <i>for 227426</i>	
				--	227425	CIRCUIT BREAKER, 40AMP 3PH <i>for 227426</i>	
				21	106077	CABLE SQUEEZE CONN .63-.75....1	
				22	6888	SCREW,HHC,1/4-20 X 1	
				23	6638	WASHER,FLAT,USS,1/4"Y	
				24	6091	NUT,NYLOCK,1/4-20	

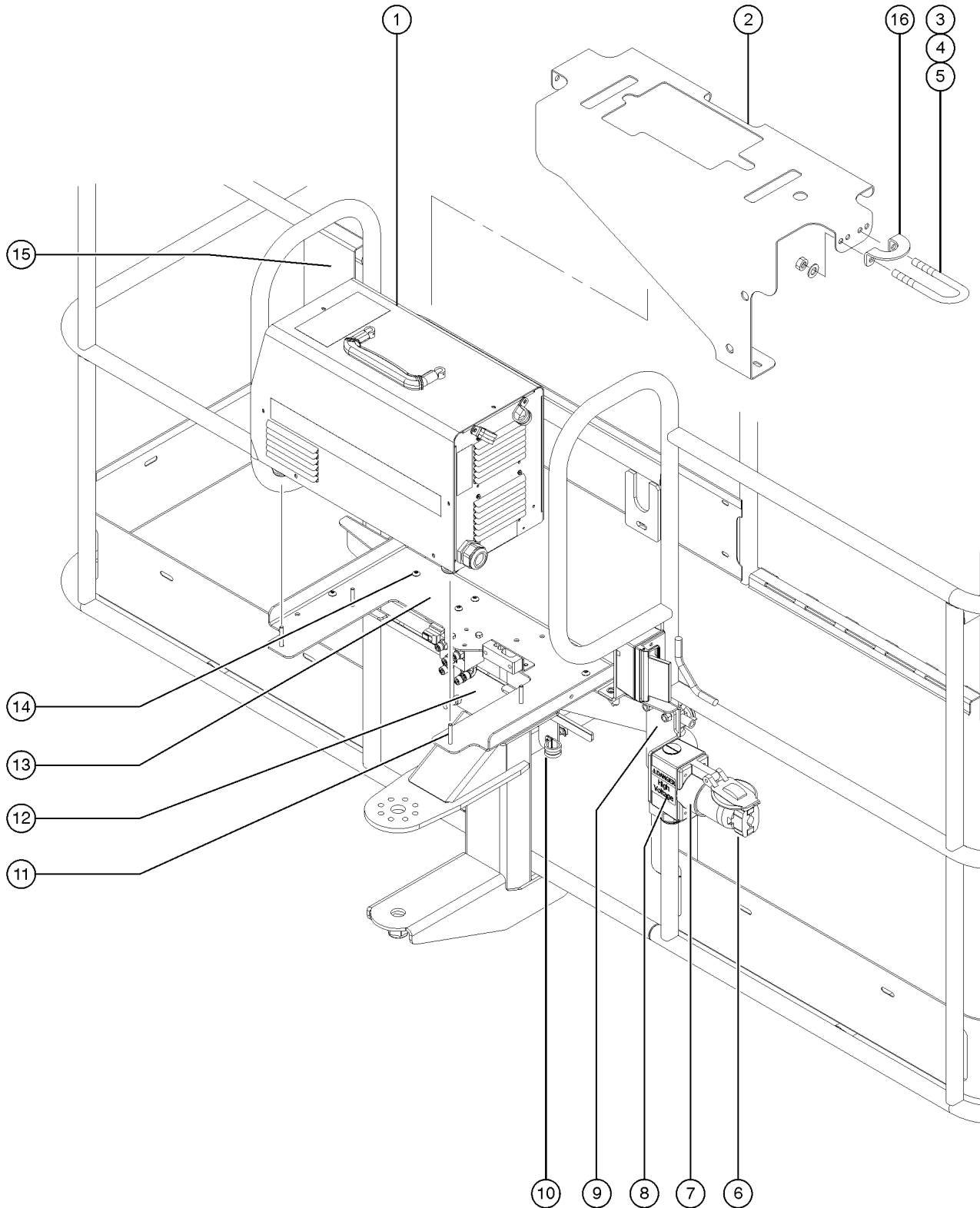


912.1 Welder Option - Chassis components
(continued)

Item	Part No.	Description	Qty.
25	9145	SCREW,HHC,1/2-13 X 2.5,GR5	
26	6198	NUT,NYLOCK,1/2-13	
27	13066	WASHER,FLAT,.5 HARDENED	
28	146284	SWITCH,PRESS,#4NPT,200PSIF....1	
29	18665	LOCKNUT,ELECTRIC,1" NPT.....1	
30	20776	CABLE SQUEEZE CONN.....1	

This Page Intentionally Left Blank

913.1 Welder Option - Platform Components

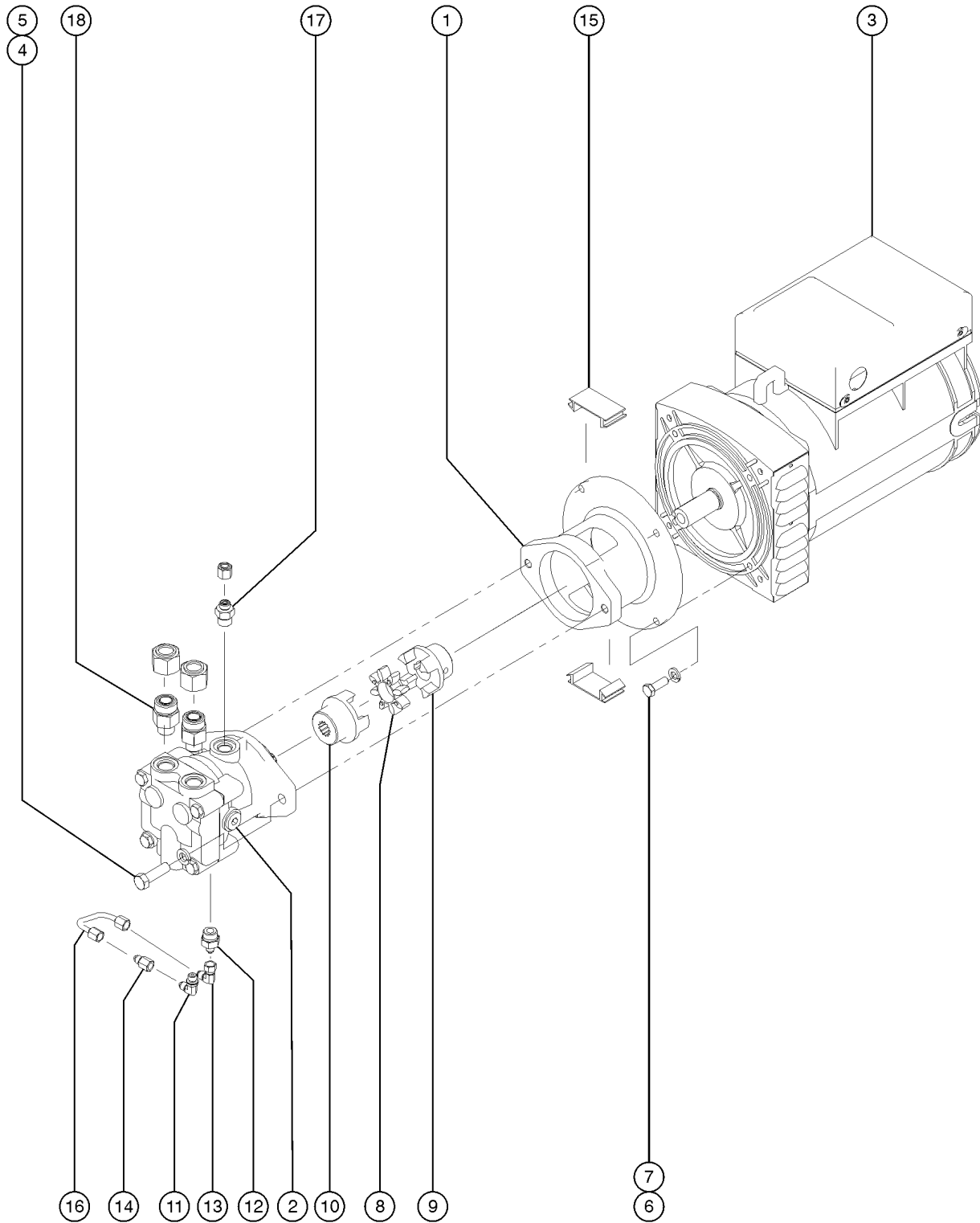


913.1 Welder Option - Platform Components

Item	Part No.	Description	Qty.	Item	Part No.	Description	Qty.
--	228320	KIT,WIRE,12.5KW WELDER 63" heavy cable assy		10	18666	CLAMP,1.00,#16 X 1/4,RUB CUSH	
--	228321	KIT,WIRE,12.5KW WELDER light wire assy		11	106141	SCREW,SECURITY,1/4-20 X 1.75LG	
--	51147	BOOT,CABLE TERMINAL,LG,RED,2/0 from SN 21037		12	101701	BRACKET,WELDER MOUNT SUPPORT.....1	1
--	77685	BOOT,CABLE TERM,MED.BLACK,4/0 to SN 21036		13	106109P	BRACKET,WELDER COVER,PNTD.....1	1
--	77764	WELD CABLE TO PLAT,S60 S60 models (to SN 22585)		--	4828	NUT,NYLOCK,3/8-16	
--	77765	WELD CABLE TO PLAT,S65 S65 models (to SN 22585)		--	5397	WASHER,FLAT,USS,5/16",Y	
--	88406	FIRE EXTINGUISHER includes mounting strap		--	6782	NUT,NYLOCK,5/16-18	
--	8910	BOOT,CABLE TERM,MED.RED,4/0 to SN 21036		14	128322	SCREW,5/16-18X1.00,SECURITY TO	
--	89977	BOOT,CABLE TERMINAL,BLACK,2/0 from SN 21037		--	128323	BIT,TORX SOCKET,SECURITY tool for 128322	
--	T113129	ASSEMBLY, WELD CABLE, S60 S60 models (from SN 22586)		15	106204	BRACKET,V275S WELD LEADS	
--	T114145	ASSEMBLY, WELD CABLE, S65 S65 models (from SN 22586)		16	217366	BRACKET,WELDER TOP.....2 from SN 24925	2
1A	101525	WELDER INVERTEC V275-S.....1	1				
--	106183	FUSE,.6AMP,250V,WELDER,V275S					
--	106275	KIT,WELD LEADS ASSY,V275S					
2	101547P	BRACKET,WELDER SUPPORT,PNT.....1	1				
3	122755	UBOLT,FLATTENED,1.5DIAX3/8 UNC.....2	2				
4	5397	WASHER,FLAT,USS,5/16",Y					
5	4828	NUT,NYLOCK,3/8-16					
6	106112	PLUG,4-WIRE,3-PHASE,50A.....1	1				
7	106111	RECEPTCL,LOCK 3-PH,50A,4 WIRE.....1	1				
--	101732	COVER,WEATHERPROOF 3-PHASE					
--	106110	T-BOX,2.75X4.5X2.63,3PH					
8	82237	DECAL,DANGER,HIGH VOLTAGE.....2	2				
9	101731P	BRACKET,POWER TO PLAT TBOX,PNT.....1	1				
--	106044	U-BOLT,3/8-16X4X4.63X3.00					
--	4828	NUT,NYLOCK,3/8-16					
--	5397	WASHER,FLAT,USS,5/16",Y					



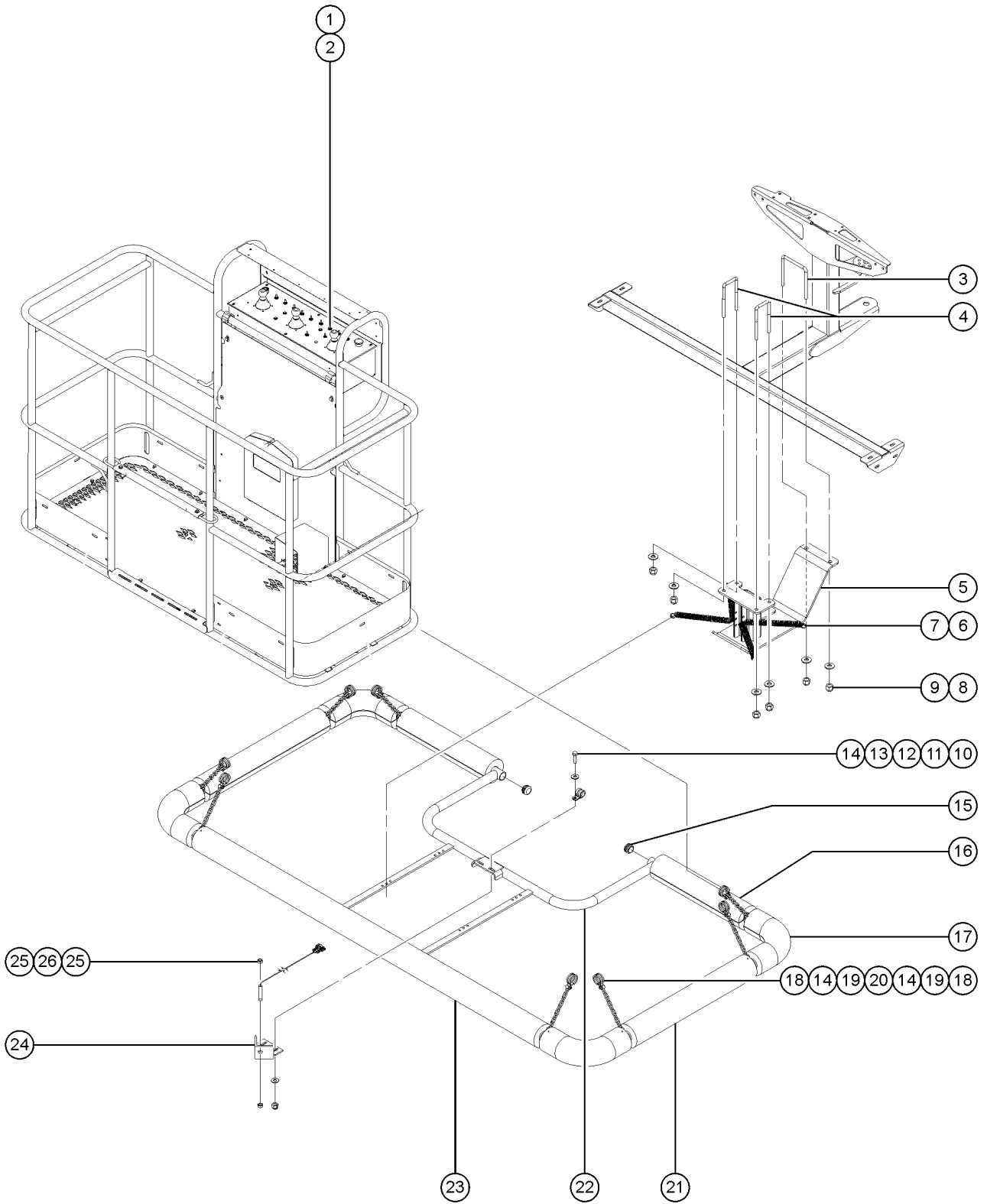
914.1 Welder Option - Generator Components



914.1 Welder Option - Generator Components

Item	Part No.	Description	Qty.
--		GENERATOR,HYDRA,25CC,208V..1 <i>refer to section 912.1</i>	
1		MOTOR MOUNT.....1 <i>consult factory</i>	
2		MOTOR,HYD,25CC FIXED***1 <i>refer to section 912.1</i>	
3		ALTERNATOR.....1 <i>refer to section 912.1</i>	
4	6036	WASHER,LOCK,.625 PLTD.....2	
5	22788	SCREW,HHC,1/2-13 X 1.75.....2	
6	44064	SCREW,HHC,M10 X 30MM,.....4	
7	22700	WASHER,LOCK,M10.....4	
8	58631	COUPLER,INSERT.....1	
9	147404	DRIVE COUPLING.....1	
10	147405	DRIVE COUPLING.....1	
11	13921	ELBOW,070220-4-4.....1	
12	39879	CONNECTOR,070120-4-8.....1	
13	87246	ELBOW,SWIVEL NUT 90DEG,-4....1	
14	139919	FITTING,ORIFICE,.047.....1	
15		MOUNT COVER.....2 <i>consult factory</i>	
16	147418	ASSY,BLEED LINE (139367).....1	
17	48914	CONN,520120-4-8.....1	
18	48975	CONN,520120-12-10.....2	

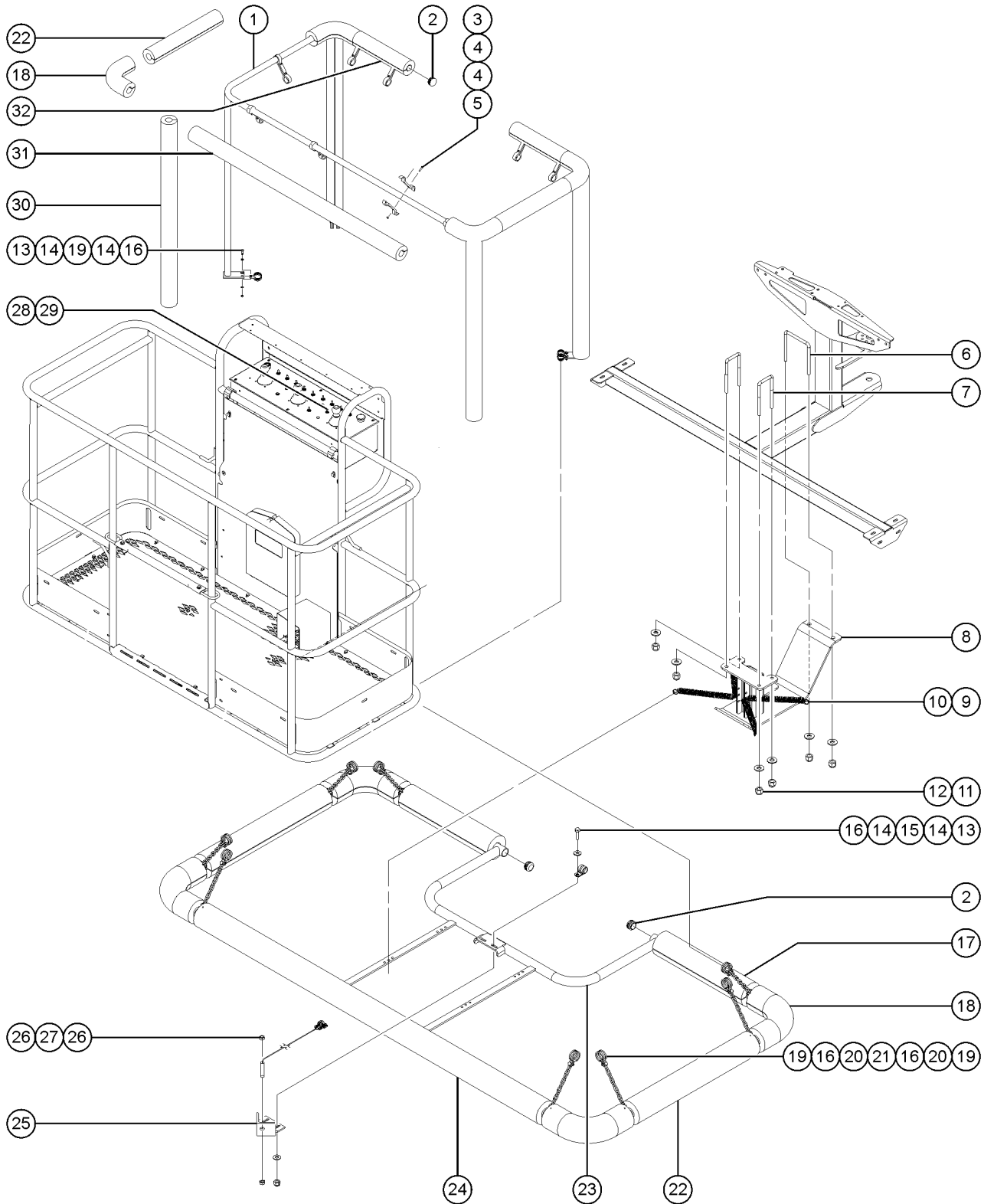
915.1 Aircraft Protection Package, S-65 and S-65 TraX



915.1 Aircraft Protection Package, S-65 and S-65 TraX

Item	Part No.	Description	Qty.
1	128203	SWITCH TOGGLE ASSY SPDT 2P MOM.....	1
--	139882	HARN, AC PROTECTION BYPASS.....	1
2	27246	BOOT,TOGGLE SWITCH,SHORT*.....	1
3	106044	U-BOLT,3/8-16X4X4.63X3.00.....	1
4	66472	U-BOLT, SQR, 3/8-16X2X5, PLTD.....	2
5	139904	WELDMENT, SKIDPLATE.....	1
6	88384	SPRING, SS, 3/4-EO750-69-4500...4	
7	88385	SPRING, SS, 1/2-EO500-49-4500...4	
8	4828	NUT,NYLOCK,3/8-16	
9	5397	WASHER,FLAT,USS,5/16",Y	
10	6888	SCREW,HHC,1/4-20 X 1	
11	6638	WASHER,FLAT,USS,1/4"Y	
12	6833	CLAMP,0.50,#8 X 1/4,RUB CUSH....1	
13	6638	WASHER,FLAT,USS,1/4"Y	
14	6091	NUT,NYLOCK,1/4-20	
15	55753	BUMPER, PLASTIC, 1.25 O.D.....2	
16	75617-1675	PADDING,FOAM 3.5"OD X 1.50"ID.....	2
17	75636	PADDING,FOAM,3.0"X1.50ID 90DEG.....	4
18	21618	CLAMP,1.13,#18 X 1/4,RUB CUSH.....	16
19	6090	SCREW,HHC,1/4-20 X .75	
20	56426-700	CHAIN,NO.2 (11 LINKS).....	8
21	75617-2275	PADDING,FOAM 3.5"OD X 1.50"ID.....	2
22	139181	WELDMENT,AIRCRAFT SENSOR BUMPR.....	1
23	75617-6475	PADDING,FOAM 3.5"OD X 1.50"ID.....	1
24	77797	WELDMENT, SENSOR MOUNT....1	
25	88390	NUT,HEX,M8,PLASTIC	
26	81532	HARNES,PROX.KILL.....1 (includes PN 27391 for Proximity Sensor)	
--	27391	PROXIMITY SENSOR***	

916.1 Aircraft Protection Package, Deluxe, S-65 and S-65 TraX

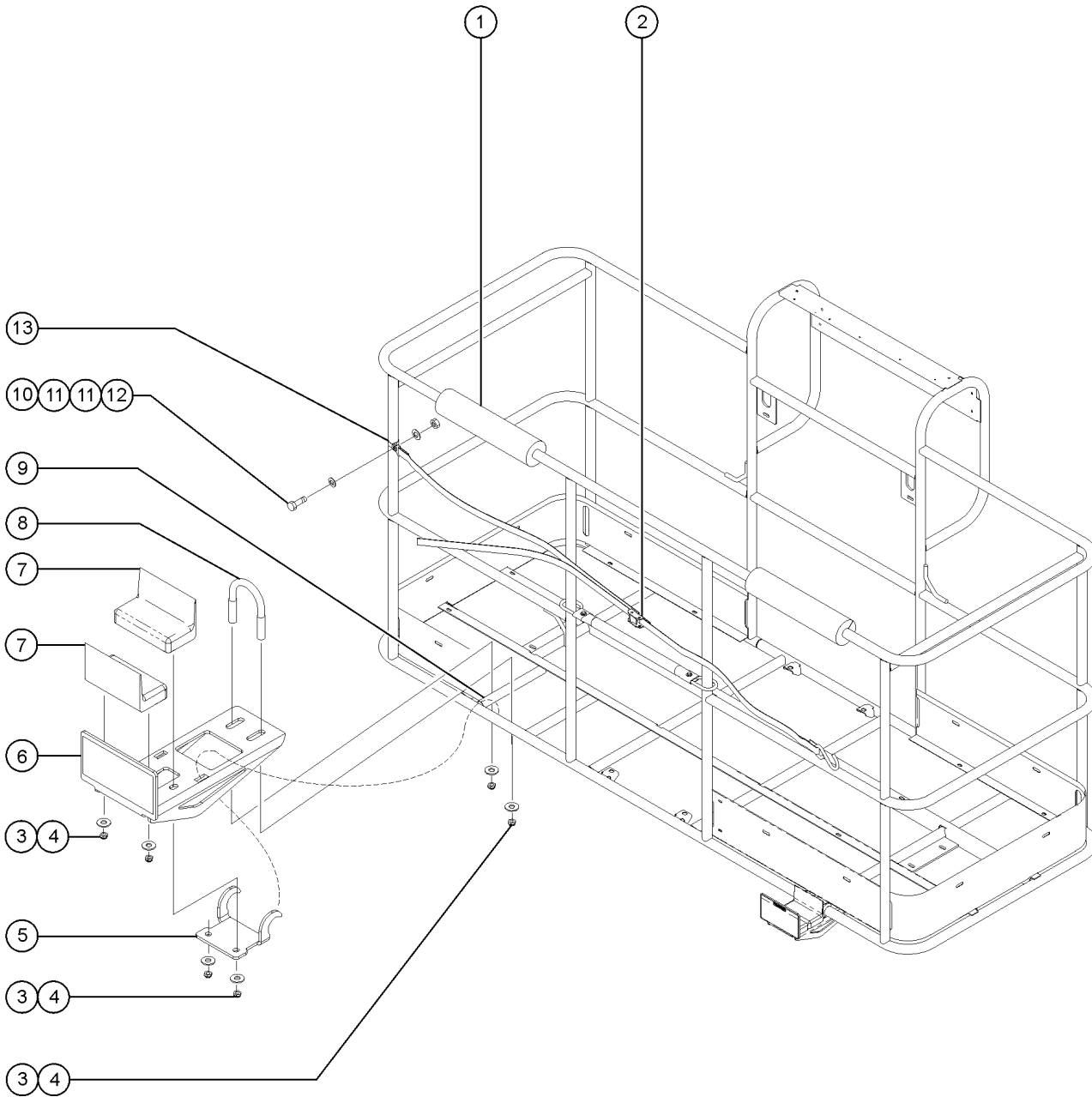


916.1 Aircraft Protection Package, Deluxe, S-65 and S-65 TraX

Item	Part No.	Description	Qty.	Item	Part No.	Description	Qty.
A	228448	HARNESS,PROX.KILL.....	1	30	75617-4788	PADDING,FOAM 3.5"OD X 1.50"ID.....	4
1	46188	WELDMENT, AIRCRAFT TOP BUMPER.....	1	31	75617-6275	PADDING,FOAM 3.5"OD X 1.50"ID.....	1
2	55753	BUMPER, PLASTIC, 1.25 O.D.....	4	32	75617-1538	PADDING,FOAM 3.5"OD X 1.50"ID.....	2
3	122231	SCREW,BHSC,1/4-20 X 1					
4	122073	SUPPORT, RAILING.....	20				
5	6889	NUT,LP NYLOCK,1/4-20					
6	106044	U-BOLT,3/8-16X4X4.63X3.00.....	1				
7	66472	U-BOLT, SQR, 3/8-16X2X5, PLTD.....	2				
8	139904	WELDMENT, SKIDPLATE.....	1				
9	88384	SPRING, SS, 3/4-EO750-69-4500...4					
10	88385	SPRING, SS, 1/2-EO500-49-4500...4					
11	4828	NUT,NYLOCK,3/8-16					
12	5397	WASHER,FLAT,USS,5/16",Y					
13	6888	SCREW,HHC,1/4-20 X 1					
14	6638	WASHER,FLAT,USS,1/4"Y					
15	6833	CLAMP,0.50,#8 X 1/4,RUB CUSH....	1				
16	6091	NUT,NYLOCK,1/4-20					
17	75617-1675	PADDING,FOAM 3.5"OD X 1.50"ID.....	2				
18	75636	PADDING,FOAM,3.0"X1.50ID 90DEG.....	8				
19	21618	CLAMP,1.13,#18 X 1/4,RUB CUSH.....	16				
20	6090	SCREW,HHC,1/4-20 X .75					
21	56426-700	CHAIN,NO.2 (11 LINKS).....	8				
22	75617-2275	PADDING,FOAM 3.5"OD X 1.50"ID.....	4				
23	139181	WELDMENT,AIRCRAFT SENSOR BUMPR.....	1				
24	75617-6475	PADDING,FOAM 3.5"OD X 1.50"ID.....	1				
25	77797	WELDMENT, SENSOR MOUNT.....	1				
26	88390	NUT,HEX,M8,PLASTIC					
27	228448	HARNESS,PROX.KILL.....	1				
28	128203	SWITCH TOGGLE ASSY SPDT 2P MOM.....	1				
--	139882	HARN, AC PROTECTION BYPASS.....	1				
29	27246	BOOT,TOGGLE SWITCH,SHORT*.....	1				



917.1 Panel Cradle

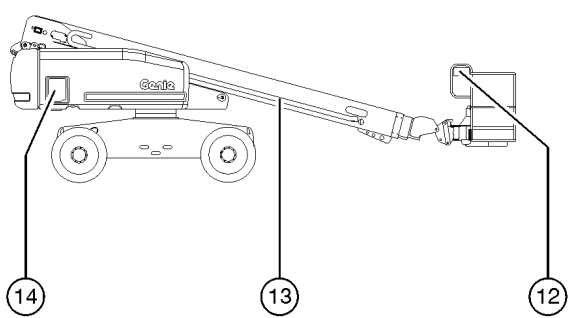
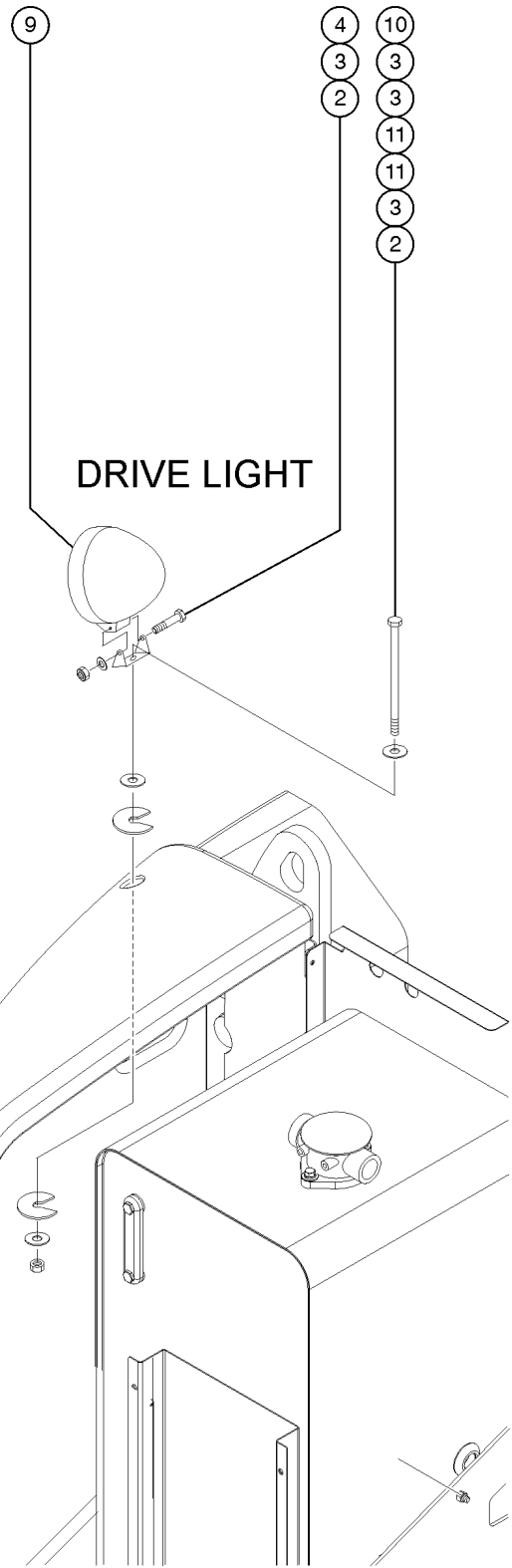
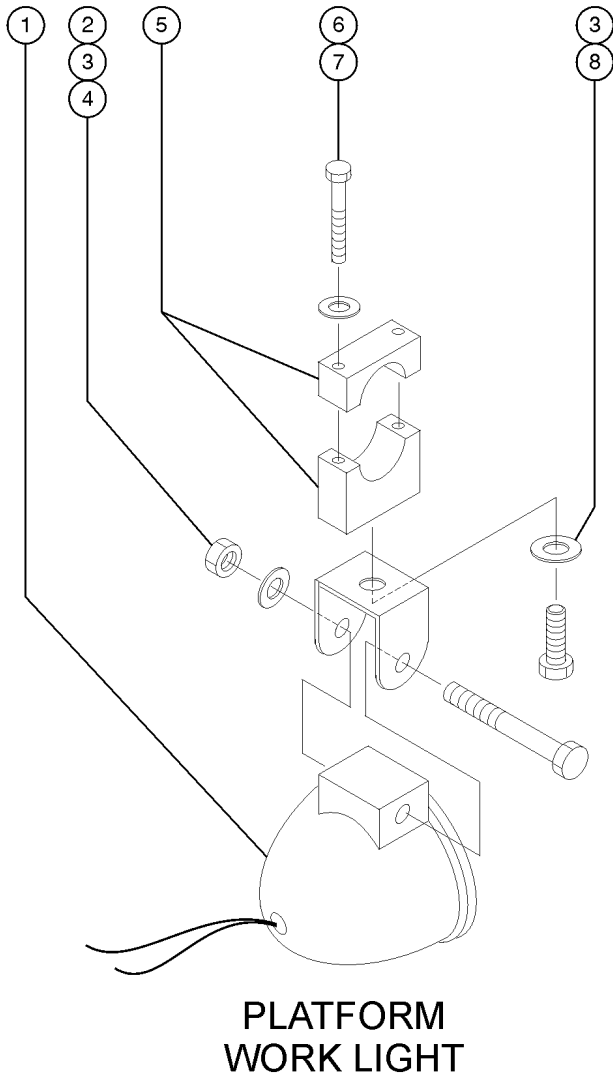


917.1 Panel Cradle

Item	Part No.	Description	Qty.
--	77683-S	OPTION, GLAZIER PACKAGE, ANSI	
--	94493-S	KIT, PANEL CRADLE, CE	
1	88377-1400	FOAM PAD.....	2
2	77664	ADJUSTABLE STRAP ASSY.....	1
3	7713	NUT, LP NYLOCK, 3/8-16	
4	5397	WASHER, FLAT, USS, 5/16", Y	
5A	233992	KIT, PANEL CRADEL BRACKET, WORD <i>(includes decal, for models with word decals)</i>	
5B	233993	KIT, PANEL CRADLE BRACKET, SYMBL <i>(includes decal, for models with symbol decals)</i>	
6		REF: Base Bracket..... <i>(no longer available, refer to item 5)</i>	1
7	56934	PAD, REST, 1" THICK, FLANGED.....	4
8	122755	UBOLT, FLATTENED, 1.5 DIA X 3/8 UNC.....	2
9	73463-1175	TUBE, RD, ALUM 1.25 X .083.....	2
10	8914	SCREW, HHC, 1/4-20 X .625	
11	6638	WASHER, FLAT, USS, 1/4" Y	
12	6889	NUT, LP NYLOCK, 1/4-20	
13	56424	CLAMP, 1.25 X .5 RUBBER-CUSHION	



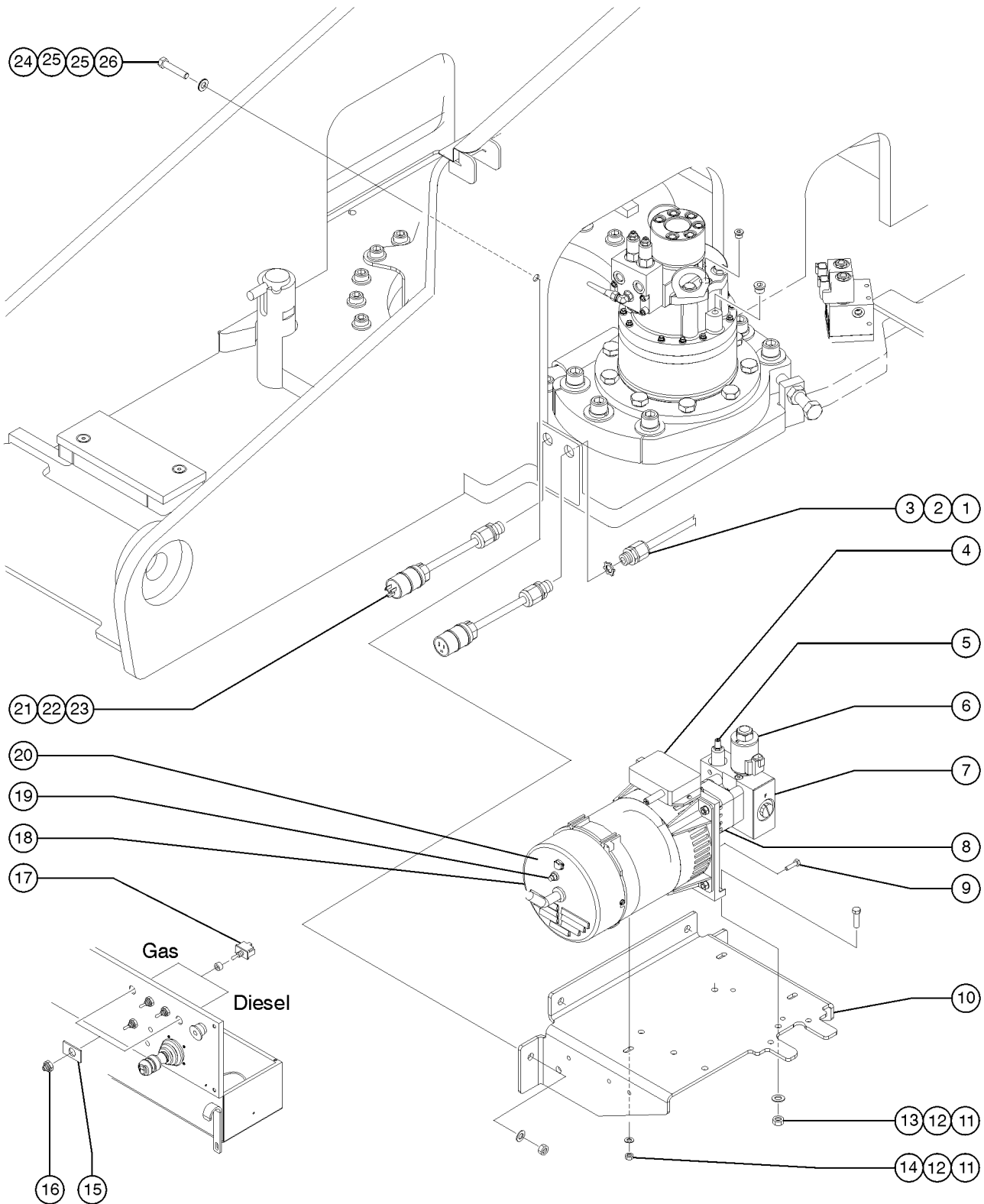
918.1 Work Lights / Drive Lights



918.1 Work Lights / Drive Lights

Item	Part No.	Description	Qty.
1	71498	WORKLIGHT, 12V, DEUTSCH RECEPT.....2 <i>includes mount (not available separately)</i>	
2	4828	NUT,NYLOCK,3/8-16	
3	5397	WASHER,FLAT,USS,5/16",Y	
4	8178	SCREW,HHC,3/8-16 X 2.5	
5	35956	BRACKET,WORK LIGHT MOUNT 5/16"	
6	6145	SCREW,HHC,1/4-20 X 1.5	
7	6356	WASHER,LOCK, .25	
8	10107	SCREW,HHC,5/16-18 X .75	
9	107857	WORKLIGHT,12 VOLT***.....2 <i>includes mount (not available separately)</i>	
--	119065	CONN,RECEP 2 WAY ENDCAP DT	
--	56051	WIRE CABLE,16/2,WHT/BLK,SJEOW	
--	60439	LOCK,RECEP 2 WAY, 14-18GA	
--	83130	TERM,NI PIN,S&F,16-18GA,BULK	
10	8177	SCREW,HHC,1/2-13 X 1.5	
11	101661	WASHER,SPACER,NOTCHED	
12	T114627	HARNESS,12V WORK LIGHTS <i>Work Light Wiring - from Platform box to Worklights</i>	
13A	T114625	CABLE,S60 12VDC WORK LIGHT <i>Work Light Wiring, S-60 - from Ground Ctrl box to Platform</i>	
13B	T114626	CABLE,S65 12VDC WORK LIGHT <i>Work Light Wiring, S-65 - from Gr Ctrl box to Platform</i>	
14	T114624	HARN,12V WORK LIGHT RELAY <i>Work Light Wiring - Ground control box</i>	

919.1 Generator Option

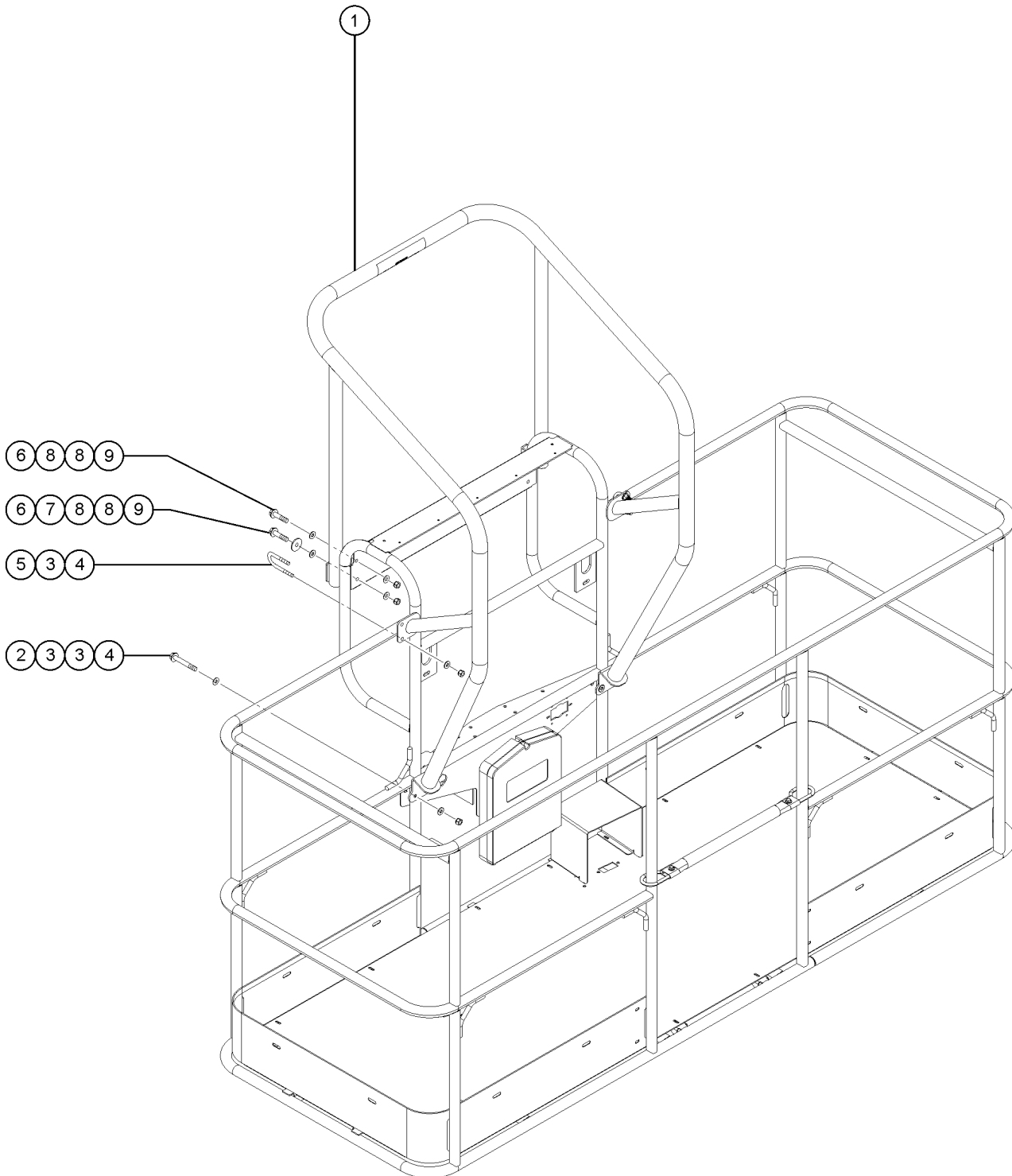


919.1 Generator Option

Item	Part No.	Description	Qty.	Item	Part No.	Description	Qty.
A	236923	FIELD KIT,MTE, 120V-50HZ, S60 <i>only for European machines already equipped with an oil cooler</i>		16	27246	BOOT,TOGGLE SWITCH,SHORT*.....	1
B	216178	KIT,MTE&OIL COOL,120V50HZ,S60 <i>only for European machines without an oil cooler</i>		17	128204	SWITCH TOGGLE ASSY SPDT 2P MNT.....	1
C	236924	FIELD KIT,MTE, 240V-50HZ, S60 <i>only for European machines already equipped with an oil cooler</i>		18A	139952	GENERATOR, 3kW, 120V/50Hz.....	1
D	216181	KIT,MTE&OIL COOL,240V50HZ,S60 <i>only for European machines without an oil cooler</i>				<i>(complete, includes items 4-9 and 19-20)</i>	
1	14041	LOCKNUT,ELECTRIC,3/4"	1	18B	139953	GENERATOR, 3kW, 120V/60Hz.....	1
1A	6935	LOCKNUT,ELEC,1/2" <i>from SN 24245</i>				<i>(complete, includes items 4-9 and 19-20)</i>	
2	12960	CABLE SQUEEZE CONN.,XTRA LRG.....	1	18C	139954	GENERATOR, 3kW, 240V/50Hz.....	1
2A	7057	CONN. SQZ,1/2NPT .39-.56 MED. <i>from SN 24245</i>				<i>(complete, includes items 4-9 and 19-20)</i>	
3	119404	CONN,RECEP 120AC/15A DOMESTIC.....	1	18D	822687	FIELD KIT,MTE 120V-60HZ, S60.....	1
4	147279	CONTROLLER BOX, 120/240V, 50H.....	1			<i>for units with oil cooler already installed</i>	
--	147228	CONTROLLER BOX, 120/240V, 60H <i>(part of genearators 139952 and 139954)</i>		18E	822688	KIT,MTE&OIL COOL,120V60HZ,S60.....	1
5	147233	VALVE, RELIEF, GEN, 3.0kW.....	1			<i>for units that do not already have an oil cooler installed</i>	
6	147232	12VDC PROPORTIONAL VALVE.....	1	19	147239	BREAKER, 25 AMP, GEN.....	1
7	147229	MANIFOLD ASSEMBLY, GEN.....	1			<i>(part of generators 139952 and 139953)</i>	
8	147230	207 HYD MOTOR ASSY, GEN.....	1	--	147258	BREAKER,15 AMP,GEN <i>(part of generator 139954)</i>	
--	147231	SEAL KIT, HYD MOTOR, GEN		20	147241	COVER, END, GEN, 120V.....	1
9	147242	SCREW, GEN ROTOR.....	4			<i>(part of generators 139952 and 139953)</i>	
10	106114	BRACKET,GENERATOR12.5 KW,PNTD*	1	--	147262	COVER, END, GEN, 240V <i>(part of generator 139954)</i>	
--	56361	CABLE TIE,BUTTON,BLACK,14.75LG.....	1	21	119403	CONN,PLUG 120 AC/15A DOMESTIC.....	1
11	6782	NUT,NYLOCK,5/16-18.....	3	22	61278	CONN. SQZ,1/2NPT .56-.63.....	1
12	5397	WASHER,FLAT,USS,5/16",Y.....	3	23	6935	LOCKNUT,ELEC,1/2".....	1
13	13000	SCREW,HHC,5/16-18 X 1.25.....	2	24	9145	SCREW,HHC,1/2-13 X 2.5,GR5.....	4
14	13002	SCREW,HHC,5/16-18 X 1 GR5.....	1	25	13066	WASHER,FLAT,.5 HARDENED.....	8
15	133518	DECAL, PATCH, GEN,ALC-500.....	1	26	6198	NUT,NYLOCK,1/2-13.....	4



920.1 Operator Protective Structure

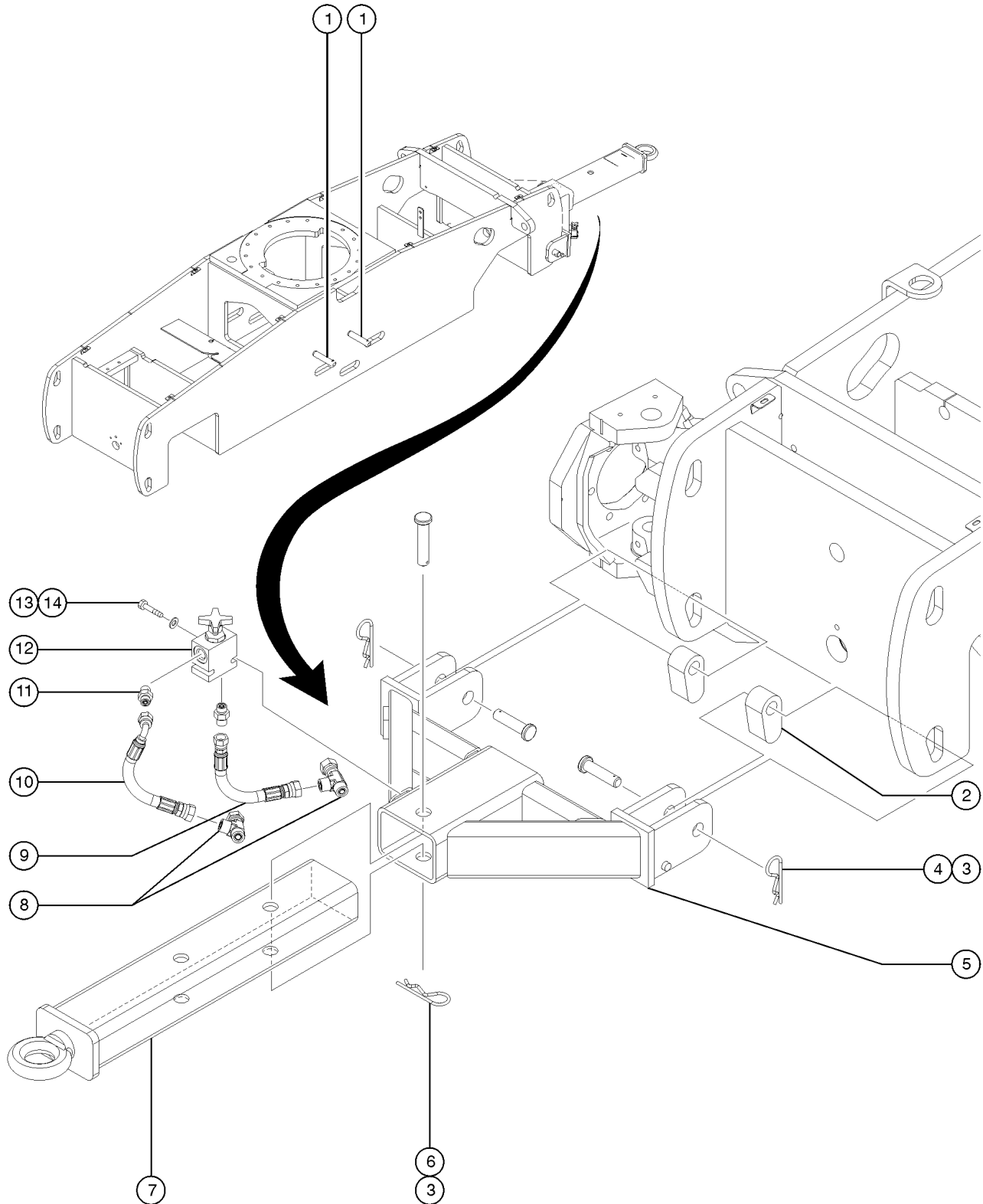


920.1 Operator Protective Structure

Item	Part No.	Description	Qty.
1	219158	ACCESSORY,OPERATOR PROT STRUCT.....1 <i>(Complete) includes all fasteners</i>	1
2	8178	SCREW,HHC,3/8-16 X 2.5.....4	4
3	6097	WASHER,FLAT,USS,3/8",Y.....12	12
4	4828	NUT,NYLOCK,3/8-16.....8	8
5	122755	UBOLT,FLATTENED,1.5DIA X 3/8 UNC.....2	2
6	6888	SCREW,HHC,1/4-20 X 1.....4	4
7	15086	WASHER,FLAT,.375 X 1.5 X .125....2 <i>Use only with the platform control box cover option</i>	2
8	6638	WASHER,FLAT,USS,1/4"Y.....8	8
9	6091	NUT,NYLOCK,1/4-20.....4	4



921.1 Tow Package



921.1 Tow Package

Item	Part No.	Description	Qty.
--	77756	S60 TOW PACKAGE	
1	47025	PIN,STORAGE,TOW PACKAGE.....2 <i>used to store 94420</i> WELDMENT,PULL BAR	
2	81975P	PLATE,CHASSIS ATTACHMENT	
3	42111	CLIP,HAIR PIN .243 X 5.25.....3	
4	42113	PIN,CLEVIS,1.25 X 5.0,ZINC.....2	
5	77870	WELDMENT,TOW BAR.....1	
6	42112	PIN,CLEVIS,1.25 X 6.0,ZINC.....1	
7	94420	WELDMENT,PULL BAR.....1	
8	48875	TEE,RUN,SWIVEL,520432-6.....2	
9	49120-7131	HOSE ASSEMBLY,1/4".....1 <i>attach to right front steer cylinder</i>	
10	49163-7144	HOSE ASSEMBLY,1/4".....1 <i>includes 90-degree elbow fitting;</i> <i>attach to left steer cylinder</i>	
11	48912	CONN,520120-4-6***.....2	
12	25282	VALVE,NEEDLE,BRAKE RELEASE.....1	
13	824063	SCREW,HHC,1/4-20X1.75,8,ZAG....2	
14	824113	WASHER,FLAT,1/4,USS,ZAG.....2	

Part Number Index

The Part Number Index is a numeric index of all part numbers included in this manual. The index shows what page(s) the part is used on.

Part Number	Page	Part Number	Page	Part Number	Page	Part Number	Page
1000014	29, 35, 93, 99	102167	118-119, 122-123, 125-126	106766	229	110892P	195
1000199	113	102209P	201	106835	175	110899	185-186
1000262	19, 35, 51, 67, 83, 99	102215	237	106836	175	110908	214
101006	181-182	102216	237	106837	175	110919	195
101066P	221	102227	197-198	106883P	161	110987	155-156
10107	303-304, 317	102230-9589	261	106884	161	110988	155-156
101080	155-156	102237	198	107552	155-156	110991	159
101129P	182	102313-3326	273	107564	229	110992	159
101140P-S	181-182	102357	153	107615P	117-119, 121-123	110995	195
101173	251	102497	182	107616P	119, 123	110996P	145-146
101173H	251	102516	118-119, 122-123, 125-126	107665P	217-218	110997	195
101174	251	10258	217-218, 221	10775	281	111027	185-186
101174H	251	102581	201	107753	163-164	111028	185-186
101191	155-156	10262	229	10777	281	111029	185-186
101199-200	291-292	102684	118-119, 122-123	107813	175	111155	135
101232	285	102721	283	107814	175	111341	195
101244	227	102746	303-304	107815	175	111402	197-198
101251	217-218	102785P	279	107825	161, 213-214	111413	247-248
101252	161, 213-214	102786P	279	107842	175	111420	247-248
101253	213-214	102992	241	107857	317	111445	182, 197-198
101254	225	104030	247-248	107868	237	111485P	279
101255	118-119, 123	104759	173	109802	146	111486P	279
101293	271	10597	137, 161, 182, 193, 207, 214	110183	197-198	111526	279
101294	175	10598	181-182, 185-186, 195	110194	164, 167	111614	193
101440	167	106003P	186	110196	163-164	111615	193
101446	169	106033	285	110197	163-164	111634	193, 207
101490	254	106044	307, 311, 313	110200	163-164	111666	193
101491	253-254	106048	186	110201	164	111668	197-198
101494	254	106073	303-304	110202	163-164	111705	163-164
101516	303-304	106077	303-304	110221	118-119, 123	111748	207
101525	307	106098	117-119, 122-123, 126	110268	155-156	111818	139-140
101540	145-146, 182, 195	106099	299	110304	186	111819	140
101547P	307	106104	303-304	110329	161	11210	214
101661	317	106108	303-304	110339	221	112283	195
101701	307	106109P	307	110340	221	112285	193
101726	139-140	106110	307	110345	137	112400	195
101729	195	106111	307	110382	139-140	114098	115
101730	195	106112	307	110390	155-156	114099	13, 15, 21, 23, 29, 31, 37, 39, 45, 47, 53, 55, 61, 63, 69, 71, 77, 79, 85, 87, 93, 95, 101, 103, 109, 111
101731P	307	106113	303-304	110395	243-244	114169	15, 31, 47, 63, 79, 95
101732	307	106114	303-304, 319	110406	195, 209-210	114219	13, 29, 45, 61, 71, 77, 93
101790-10091	261	106117	126	110407	193, 207	114240	109
101790-10691	261	106134	214	110413	195	114241	109
101795-2482	261	106140	153	110414	195	114247	25, 41, 57, 73, 89, 105, 113
101795-4782	263	106141	307	110416	195	114249	21, 23, 37, 39, 53, 55, 69, 71, 109, 111
101845	233	106154	237	110417	195, 209-210	114251	21, 37, 53, 69, 85, 101, 109
101932	295	106163	241	110419	195	114252	25, 27, 41, 43, 53, 57, 59, 69, 73, 75, 85, 89, 91, 105, 107, 113, 115
101947	303-304	106172P	145-146	110421	193	114258	13, 29, 45, 61, 77, 93
101964	143	106182	307	110422	193	114277	15, 23, 31, 39, 47, 55, 63, 71, 79, 87, 95, 103, 111
101973	283	106184	303-304	110423	195	114349	69
102045	197-198, 201	106204	307	110424	193	114389	13, 19, 29, 35, 45, 51, 61, 67, 77, 83, 93, 99
102066	209-210	106226	209-210	110452	214	114390	13, 15, 29, 31, 45, 47, 61, 63, 77, 79, 93, 95
102119	195	106226-4000	185-186, 195	110477	209-210		
102121	193, 207	106275	307	110480	193		
102126	118-119, 122-123, 125-126	106374	303-304	110578	118-119, 123		
102131	118-119, 122-123, 125-126	106375	303-304	110671	241		
102155	117-119, 122-123, 126	106394	303-304	110727	117-119, 121-123		
102157	118-119, 122-123, 126	106399	229	110728	117-119, 121-123		
102158	117-119, 122-123, 126	106477	303-304	110730	117-119, 121-123		
102159	117-119, 122-123, 126	106495	303-304	110731	117-119, 121-123		
102162	118-119, 122-123, 125-126	106516	119, 123	110733	117-119, 121-123		
102163	118-119, 122-123, 125-126	106517P	119, 123	110755	161		
102164	118-119, 122-123, 125-126	106520	303-304	110758	193		
102166	118-119, 122-123, 126	106637	153	110768	191		
		106647	117-119, 121-123	110777	193		
		106648	117-119, 121-123	110784	229		
		106657	153	110785	229		
		106669	131	110789	229, 233		
				110803	155-156		
				110890P	195		

Part Number Index (continued)

Part Number	Page	Part Number	Page	Part Number	Page	Part Number	Page
114416	19, 35, 51, 67, 83, 99	119535	235	1261389	135	128926	135
114465	13, 21, 29, 37, 77, 85, 93, 101, 109	119536	227	1261390	135	128927	135
114473	27, 43, 59, 75, 91, 107, 115	119537	235	1261391	135	128928	135
115431	185-186, 195	119542	227	1261392	135	128935	153
119044	161	119544	191	1261393	135	128955	135
119051	193, 207	119545	189	1261394	135	128984	186
119052	193, 207	119546	195	1262331	213-214	128986	186
119053	193, 195	119547	189	128000	251	128987	185-186
119055	195	119548	189	128001	251	128989	186
119056	213-214, 291-292	119551	189	128002	193	128991	186
119057	291-292	119560	248	128003	186	12906	143
119058	213-214	119567	217-218	128004	201	12960	319
119065	218, 291-292, 317	119568	189, 203	128021	193	13000	191, 193, 207, 209-210, 241, 303-304, 319
119066	291-292	119588	191	128022	186	13002	181-182, 186, 191, 201, 207, 241, 303-304, 319
119067	217-218	119607	155-156	128023	182	13003	197-198, 201
119068	161	119641	248	128024	186	13064	118-119, 123, 125-126, 145-146, 197-198, 201
119073	195	119644	247-248	128025	186	13066	145-146, 175, 193, 197-198, 207, 214, 229, 231, 304, 319
119084	295	119777	155-156	128045	153	131589	195
119085	295	119809	185-186	128050	303-304	133067	21, 23, 37, 39, 53, 55, 69, 71, 85, 87, 101, 103, 109, 111
119086	295	119826	195	128061	207	133238	15, 31, 47, 63, 79, 95
119087	295	119838	237	128081	139-140	133250	77, 79, 93, 95
119088	295	119841	139-140	128146	289	133251	77, 79, 85, 87
119089	295	119845	281	128165	189, 203	133252	93, 95, 101, 103
119090	295	119846	303-304	128166	189, 203	133253	81, 89
119117	181-182, 198	119866	186	128200	149-150, 243-244	133254	97, 105
119135	189	119870	149-150	128201	149-150, 243-244	133259	79, 87
119137	189	119915	251	128202	149-150, 244	133260	95, 103
119138	191	119918	139-140	128203	311, 313	133263	85, 87, 101, 103
119139	189	119950	279	128204	149-150, 243-244, 248, 319	133278	13, 29, 45, 61, 77, 93
119140	193, 205	119960	189, 203	128268	227	133387	27, 43, 59, 75, 91, 107, 115
119142	189	119964	191	128274	289	133413	21, 37, 85, 101, 109
119146	119, 123	119965	203	128322	307	133518	319
119153	191	119974	237, 239	128323	307	13480-S	159
119169	195	119975	237, 239	128365	289	13585	281
119170	139-140	119984	140	128368	279	13597	291-292
119218	209-210	119988	126	128416	169, 303-304	13635-10	221, 237, 239
119223	193	119990	214	128417	169	13854	213-214
119230	229	121065	239	128418	169	139000	131, 135
119231	289	121340	197-198	128419	173, 177, 303-304	139001	131, 135
119232	195, 209-210	121599	153	128420	177	139002	131, 133
119234	193	121831	297	128423	175	139072	185-186
119238	193	121846	153	128454P	227	139120	131
119246	159	121847	247-248	128464	161, 213-214	139121	131
119344	182	121848	155-156, 233	128482	227	139122	131
119403	281, 292, 319	122019	277	128483	227	139125	131
119404	281, 319	122053	155-156	128534	227	139135	131, 133
119417	285	122073	279, 313	128578	243-244	139140	131, 133
119418	285	122079	227, 229, 231, 233	128580	243-244	139175	133
119463	193	122302	303-304	128581	243-244	139179	131, 133, 135
119465	189	122622	239	128582	244	13918	209-210, 223
119466	189	122662	239	128584	243-244	139181	311, 313
119468	191	122663	239	128588	186	139189	145-146
119469	191	122668	239	128589	227	13921	309
119471	191	122755	241, 307, 315, 321	128724	227	139224	131
119472	189	122944	225, 227	128829	198	139248	229
119473	191	123143	229, 231	128831	185-186	139262	135
119474	191, 205	12343	239	128896	197-198	139288	221
119475	189, 203	12344	153, 247-248	128909	135	139293	235
119476	189, 195	123663	229, 231	128910	135		
119477	195, 205	1251842	275	128911	135		
119478	189	1254826	181-182, 197-198	128912	135		
119479	189	1254874	241	128913	135		
119481	189	1255653	181-182, 197-198	128914	135		
119483	155-156	1258103	203	128916	135		
119484	193, 209-210	125864	131	128917	135		
119495	189	125865	131	128918	135		
119496	191	125866	133	128919	135		
119497	189	1259704	279	128920	135		
119498	189	1260084	118-119, 122-123, 125-126	128921	135		
119500	189			128922	135		
				128923	135		
				128924	135		
				128925	135		



Part Number Index (continued)

Part Number	Page	Part Number	Page	Part Number	Page	Part Number	Page
139307	235	139963	163-164	147525	181-182	18506	203
139308	145-146	139965	118-119, 122-	147526	181-182	18596	197-198, 201,
139309	145-146		123, 125-126	147549	175		217-218, 221
139310	145-146	139966	118-119, 122-	147550	175	18605	153, 223
139311	145-146		123, 125-126	147571	214	18665	303-304
139312	145-146	139967	118-119, 122-	147575	51, 59	18666	153, 247-248,
139313	145-146		123, 125-126	147578	223		307
139314	145-146	139968	118-119, 122-	147601	83, 91	18716	213-214
139315	145-146		123, 125-126	147602	67, 75	18717	214
139321	197-198	139969	118-119, 122-	147603	19, 27, 35, 43,	18720	213-214, 217-
139322	197-198		123, 125-126		83, 91, 99, 107		218
139323	145-146	139970	118-119, 122-	147604	115	18722	213-214
139338	243-244, 247-		123, 125-126	147605	45, 51	18730	126, 213-214
	248	139971	118-119, 122-	147607	77, 83	18731	214
139366	161		123, 125-126	147608	61, 67	18963	277
139367	303-304	139972	118-119, 122-	147609	51	19358	195, 209-210
139384	221		123, 125-126	147610	83	19363	195
139385	221	139983	201	147612	67	19440	117-119, 121-
139438	283	14033	193, 207	147617	217-218		123, 217-218
139440	161	14041	319	147642	155-156	19491	213-214, 217-
139441	161	14392	291-292	147643	155-156		218
139455	197-198	144161	281	147644	297	19506	149-150
139508	171	146061	201	147646	155-156	20776	303-304
139512	171	146284	303-304	147647	156	20973-1700	161
139527	171	146285	303-304	147650	155-156	21019	185-186, 195,
139528	171	146413	139-140	147652	155-156		209-210
139578	129	146417	139-140	147654	155-156	21130	129, 182, 185-
139598	251	146478	243-244	147657	156		186, 197-198
139601	213-214	146551	139-140	147658	49, 57	21141	137
139602	213-214	146552	139-140	147660	65, 73	214249	291-292
139610	193, 207	147015	193	147755	45, 53	214410	291-292
139621	181-182	147016	189, 193	147756	61, 69	214411	291-292
139622	181-182	147031	156	147783	295	214446	207
139623	181-182	147033	118-119, 122-	147788	53, 59	214536	291-292
139624	182		123, 125-126	147790	85, 91	21465	195, 209-210
139644-14B61	223	147034	118-119, 122-	147791	69, 75	214690	221
139666	182		123, 125-126	147792	13, 15, 29, 31,	214796	189
139709	181-182, 201	147094	149-150		61, 63	214798	189
139712	171	147121	241	147793	45, 51, 61, 67,	214803	189
139715	171	147149	131		77, 83	21496	129
139716	171	147155	135	147794	77, 85	215269	205
139717	171	147223	137	147795	45	215270	205
139718	171	147228	319	147796	61	215271	205
139719	171	147229	319	147797	77	215272	205
139726	171	147230	319	147826	186	215273	205
139727	171	147231	319	147834	214	215274	205
139731	155-156	147232	319	147840	149-150	215275	203
139732	155-156	147233	319	147842	214	215276	205
139733	155-156	147239	319	1487	279	215277	205
139734	155-156	147241	319	15086	195, 209-210,	215278	203
139735	155-156	147242	319		321	215279	205
139736	155-156	147243	182	15243	247-248	215280	203
139737	155-156	147255	155-156	160541	207	215281	203
139738	155-156	147258	319	160804	241	215282	203
139741	155-156	147262	319	160809	241	215283	203
139790	237	147279	319	161144	179	215284	203
139791	237	147289	139-140	161145	179	215285	203
139793	214	147290	139-140	161523	257-258	215287	203
139799	175	147300	155-156	161541	241	215288	205
139801	175	147347	231	161542	241	215289	205
139832	155-156	147348	185-186	161613	145-146	215290	205
139833	155-156	147349	185-186	162006	303-304	215291	205
139834	155-156	147350	185-186	162162	275	215292	203
139835	155-156	147351	185-186	162163	275	215294	203
139836	155-156	147352	185-186	162164	275	215295	203
139865	126, 145-146	147353	185-186	162212	121-123	215298	205
139878	285	147355	185-186	162213	121-123	215299	203
139882	311, 313	147370	229, 231	162226	122-123	215300	203
139900	143	147396	156	162227	122-123	215301	203
139902	143	147403	218	162228	121-123	215302	203
139904	311, 313	147404	309	1702	209-210	215305	203
139919	303-304, 309	147405	309	18383	119, 123, 217-	215307	205
139952	319		303-304, 309		218, 221	215308	203
139953	319	147428	155-156	18503	137, 191, 193,	215309	203
139954	319	147455	153		195, 207	215310	203
139958	279	147504	223	18504	207	215311	205

Part Number Index (continued)

Part Number	Page	Part Number	Page	Part Number	Page	Part Number	Page
215313	205	22672	185-186, 299	235323	247-248	27207	13, 15, 21, 23,
215314	203	22692	193	235372	29, 31, 37, 39		29, 31, 37, 39,
215316	209-210	226940	135	235411	247-248		45, 47, 53, 55,
215317	209-210	226941	135	235659	207		61, 63, 69, 71,
215320	207	226942	135	236338	207		77, 79, 85, 87,
215340	118-119, 122-123, 125-126	226943	135	236339	209-210		93, 95, 101, 103,
		226944	135	236340	209-210		109, 111
215347	291-292	226945	135	236341	207	27246	243-244, 311,
215423	135	226946	135	236364	209-210		313, 319
215424	135	22699	182, 193, 195,	236373	205	27287	153, 248
215425	135		197-198, 207,	236420	209-210	27377	143
215426	135		209-210	236421	209-210	27391	311
215427	135	22700	193, 195, 207,	236422	209-210	27497	140
215528	207		209-210, 309	236423	209-210	27761	167
215544	207	227125	214	236425	209-210	27802	163-164
215642	118-119, 122-123, 125-126	227288	13, 19, 29, 35,	236426	185-186	27804	164
			77, 83, 93, 99	236474	291-292	27807	163-164
215709	207	227306	239	236475	291-292	27836	164, 167
215747	283	227307	239	236832	207	28158	13, 21, 29, 37,
215748	283	227308	239	236911	139-140		45, 53, 61, 69,
216019	209-210	227309	193, 205	236912	139-140		77, 85, 93, 101,
21604	233	227347	257-258	236923	319		109
216178	319	227424	303-304	236924	319	28159	13, 21, 29, 37,
21618	311, 313	227425	303-304	237068	137		45, 53, 61, 69,
216181	319	227426	303-304	237146	207		77, 85, 93, 101,
216367	207	227516	241	237251	207		109
216368	207	22788	209-210, 309	237379	209-210	28160	13, 21, 29, 37,
216602	179	227988	193, 207	237385	209-210		45, 53, 61, 69,
216606	291-292	228320	307	237780	209-210		77, 85, 93, 101,
216607	292	228321	307	237856	191, 209-210		109
216611	291-292	228448	313	237857	191, 209-210	28161	13, 15, 17, 29,
216612	291-292	228457	185-186	237858	191, 210		31, 33, 45, 47,
216615	291-292	228463	149-150	237859	191, 210		49, 61, 63, 65,
216616	291-292	228466	241	238123	291-292		77, 79, 81, 93,
216617	291-292	228796	239	238234	209-210		95, 97
216618	291-292	228797	239	24038	186, 195, 209-210	28165	19, 35, 51, 67,
216655	291-292	228967	239		210		83, 99
216662	291-292	228969	239	24040	181-182, 195	28174	15, 19, 23, 27,
216676	291-292	229169	239	24514	241		31, 35, 39, 43,
216683	291-292	229201	139-140	25235	55		47, 51, 55, 59,
217043	153	229202	139-140	25282	323		63, 67, 71, 75,
217044	153	229203	139-140	25284	119, 123, 213-214		79, 83, 87, 91,
217045	153	229204	139-140		214		95, 99, 103, 107,
217046	153	229205	139-140	25368	195, 209-210		111, 115
217366	307	229567	149-150, 243-244	25388	281	28175	15, 31, 47, 63,
217820	203			25548	193		79, 95
217821	205	229702	118-119, 122-123, 125-126	25625	182	28176	19, 35, 51, 67,
217822	205			25683	225, 227		83, 99
217823	203	229743	13, 15, 21, 23,	25685	229, 233	28177	19, 35, 51, 67,
217824	205		45, 47, 53, 55	25817	117-119, 121-123		83, 99
217825	209-210	229744	61, 63, 69, 71,		123	28181	17, 33, 49, 65,
217979	135		109, 111	25926	191, 195		81, 97
218448	239	229817	122-123, 125-126	25927	195, 209-210	28235	15, 19, 23, 27,
218576	207		126	25969	214		31, 35, 39, 43,
21858	149-150	229818	123, 126	25994	13, 29, 45, 61,		47, 51, 59, 63,
218668	207	229931	123, 126		77, 93		67, 71, 75, 79,
218742	207	230072	223	27067	118-119, 122-123, 126		83, 87, 91, 95,
218751	273, 275	230329	223		123, 126		99, 103, 107,
219158	321	230331	223	27089	139-140, 182,		111, 115
219243	179	230392	137		197-198	28236	19, 35, 51, 67,
219245	179	230497	214				83, 99
219246	179	23057	185-186	27204	15, 23, 31, 39,	28301	143
219247	179	231012	291-292		47, 55, 63, 71,	28487	217-218
220229	203	231013	291-292		79, 87, 95, 103,	28607	285
220230	203	231014	291-292	27205	111	28853	289
220231	203	231015	291-292		13, 21, 29, 37,	29080	221
22348	139-140	231653	237		45, 53, 61, 69,	29104	13, 29, 45, 61,
22558	181-182, 197-198, 201	233365	189		77, 85, 93, 101,		77, 93
		233437	189	27206	109	29560	181-182, 197-198
22578	197-198	233992	315		13, 15, 21, 23,		198
226325	239	233993	315		29, 31, 37, 39,	29764	137, 159, 227,
226326	239	234005	189		45, 47, 53, 55,		233
226327	237	234006	189		61, 63, 69, 71,	29868	137
226393	277	23404	153, 247-248		77, 79, 85, 87,	30080	19, 35, 83, 99
226541	229, 231	23405	299		93, 95, 101, 103,	30138	217-218, 221
226542	229, 231	234242	231		109, 111	30143	137

Part Number Index (continued)

Part Number	Page	Part Number	Page	Part Number	Page	Part Number	Page
30144	137	38149	29, 45, 61, 77, 93	48767	257-258	49119-72078	257-258
30217	225	38620	221	48875	323	49119-7478	257-258
30222	227	38621	217-218	48878	271, 287	49119-7578	261, 263
30255	225	38859	137, 159	48880	253-254, 257-258	49119-79678	257-258
30370	214, 217-218, 225, 229, 231	39317	237, 239		258, 261, 265	49120-7131	323
30418	118-119, 123, 125-126, 213-214	39479	129, 209-210	48883	263	49128-12309	257-258
30468	279	39879	309	48891	265	49128-13809	257-258
30489	197-198	39882	146	48904	253-254, 257-258	49130-2482	261, 263
30490	139-140, 181-182, 197-198	40434	19, 27, 35, 43, 51, 59, 67, 75, 83, 91, 99, 107, 115	48905	253-254, 257-258	49130-4782	261, 263
30785-400	129	40614	153	48907	253-254, 257-258	49130-5582	253-254
30810	285	41489	145-146		258	49130-5782	253-254
30971	181-182, 299	42014	119, 123, 126, 133	48908	257-258, 261, 263, 265, 267	49131-9603	261
30973	137, 143	42111	323		269	49142-7112	267
30997	247-248	42112	323	48911	257-258, 261, 263	49143-12329	257-258
31060	17, 33, 49, 65, 81, 97	42113	323	48912	254, 261, 265, 323	49143-13829	257-258
31100	164	4266	140, 221, 279		309	49143-2979	267
31120	279	42787	271	48914	253-254, 265, 309	49143-3179	267
31408	181-182, 289	42790	267		261, 263	49143-3429	253-254
31523	181-182	43018	173	48915	261, 263	49143-3629	253-254
31788	13, 29, 45, 61, 77, 93	43392	279	48916	253-254, 257-258, 261, 263	49150-2730	271, 287
32064	207	43683	175		265, 267, 269, 273, 275	49150-9130	253-254
32309	191, 205	43960	213-214, 217-218	48918	261, 263	49151-6248	253-254, 271
32675	303-304	44064	182, 209-210, 309	48919	261, 263	49163-7144	323
32681	129	44174	173	48930	261	49177-102894	281
32695	181-182	44981	15, 19, 23, 27, 31, 35, 39, 43, 47, 51, 55, 59, 63, 67, 71, 75, 79, 83, 87, 91, 95, 99, 103, 107, 111, 115	48932	253-254, 273, 275	49177-108894	281
32698	181-182			48933	253-254, 257-258, 261, 263, 265, 267, 269, 273, 275	49183-13492	257-258
32975	164	44986	19, 35, 83, 99		267	49183-7592	269
33239	181-182	45071	119, 123, 131	48935	267	49183-8492	273
33277	185-186, 195, 209-210	45074	118-119, 123	48936	253-254, 261	49207	254, 265
33278	145-146, 221	45074	118-119, 123	48937	257-258, 267	49212	281
33418	145-146, 197-198, 201	45226	118-119, 123, 145-146, 225, 227, 229, 231	48941	253-254, 273, 275	49214	281
33422	153	45363	137	48943	254	49215	281
33428	118-119, 123, 227	45383	244	48946	253-254	49219	155-156, 257-258
33432	303-304	45435	193, 207, 301	48948	261, 273, 275	49364	186
33555	143	45454	193, 235	48949	253-254	49378	193, 207
33607	153	45470	223, 233	48960	253-254, 257-258, 261, 263, 267, 269, 271, 273, 275, 287	49381	209-210
33608	153	45489	164		267, 273, 275	49386	195
33681	207	45708	137	48961	273, 275	49407	197-198
33724	281	45748	229, 233	48963	253-254, 267, 269, 273, 275	49408	191, 195, 205
33988	175	45782	181-182, 197-198	48964	267	49410	186
34052	153			48975	309	49411	181-182, 185-186, 197-198, 201, 221
34053	153	45845	292	48977	253-254	49418	257-258
34058	285	45912	163-164	48978	273, 275	49816	143
34124	217-218	45921	163-164	48984	253-254, 257-258, 271	49819	247-248
34125	221	46131	193, 209-210		254	49820	153, 247-248
34162-0400	301	46188	313	48985	254	49824	299
34164	301	47025	323	48996	254	49826	235
34245	217-218	47041	13, 29, 45, 61, 77, 93	48998	253-254, 257-258, 261	49859	263, 265
34276	213-214				258, 261	49861	269
34344	217-218, 221	47222	223	49117-10091	261	49915	201
34505	299	4828	118-119, 123, 137, 139-140, 145-146, 161, 186, 193, 195, 197-198, 201, 207, 209-210, 223, 225, 227, 229, 231, 233, 237, 239, 241, 281, 297, 307, 311, 313, 317, 321	49117-10691	261	49924	181-182, 197-198
34619	233			49117-2491	253-254	50787	197-198
34922	299			49117-3291	265	50787-S	181-182
34955	299			49117-3391	253-254	51147	307
34959	301			49117-3691	267	51580	273, 275
35432	299			49117-3791	257-258	5224	118-119, 123, 139-140, 295
35461	281			49117-4691	253-254, 265	52352	197-198
35586	181-182			49117-5191	265	52607	13, 29, 45, 61, 77, 93
35610	289			49117-6091	261	52661	279
35675	145-146, 182, 195, 227			49117-6119	269	52726	167
35956	279, 317			49117-6291	261	52865	29, 45, 61, 77, 93
36208	207, 299			49119-2878	253-254, 257-258	52943	163-164
36294	214				258	52966	13, 21, 29, 37, 45, 53, 61, 69, 77, 85, 93, 101, 109
36388	297				258		13
36456	209-210	48425	195, 209-210	49119-4278	257-258		13, 29, 37, 45, 53, 61, 69, 77, 85, 93, 101, 109
37505	185-186	48498	195, 209-210	49119-70978	257-258	53189	297

Part Number Index (continued)

Part Number	Page	Part Number	Page	Part Number	Page	Part Number	Page
53386	119, 123	58627	149-150		239, 241, 297,	62506	173
5365	129, 197-198,	58630	197-198		301, 321	62507	173
	233	58631	303-304, 309	60984	161, 213-214	62845	185-186
53758-S	285	58632	191, 205	61072-2443	273	63078	217-218
53759-S	285	59460	117-119, 121-	61072-2543	273	63213	227
53761-S	285		123	61073-2830	267	6326	118-119, 123
53807-S	279	6002	203	61073-3330	269	63311	279
53808-S	279	60160P	241	61073-3930	253-254	63353	227
53952	181-182, 185-	6019	137, 139-140,	61073-7330	269	63375	281
	186, 193, 207		201, 209-210,	61074-6222	267	63463	181-182, 185-
5397	137, 143, 146,		217-218, 221,	61074-7272	253-254		186
	175, 181-182,		223, 235, 237,	61074-7572	253-254	63468	126
	185-186, 191,		239, 241, 281,	61110	197-198, 207	6356	146, 149-150,
	193, 197-198,		301	61128	145-146		214, 218, 221,
	201, 207, 209-	6021	118-119, 123,	61225	153, 289		227, 241, 247-
	210, 223, 241,		125-126, 145-	61234	139-140		248, 279, 295,
	281, 303-304,		146, 193, 207,	61240	139-140		297, 317
	307, 311, 313,		213-214, 217-	6126	145-146	63566	225
	315, 317, 319		218, 221, 223,	61263	254	63727	299
5408	161		227, 235	61278	319	63772	297
54124	139-140	6024	197-198, 201	61306-S	227	63773	297
54177	221	6033	118-119, 123,	6145	195, 209-210,	65473	186
54205	186		129, 137, 161,		223, 279, 317,	6563	229
54247P	241		182, 193, 207,	6146	137, 143, 185-	65636	186
54260	213-214		213-214		186, 195, 209-	65638	186
54274	241	60334	146		210, 233, 247-	6584	129, 182, 197-
54322	137	6036	145-146, 309		248, 277, 291-		198
54365	153, 191, 247-	6037	303-304		292, 299	65887	140
	248	60370-S	227, 233	6147	277	6605	221
54428	182	60425	213-214, 291-	61602	213-214	6607	214, 241
54437	186		292	61610	273, 275	6610	145-146
54457	279	60427	291-292	61726	233	6637	214, 287
54486	279	60429	213-214	6175	119, 123, 125-	6638	117-119, 121-
54487P	185-186	60439	218, 291-292,		126, 137, 139-		123, 126, 129,
54534	153		317		140, 161, 181-		137, 139-140,
54578	186	60441	291-292		182, 185-186,		143, 145-146,
54579	185-186	60443	217-218		197-198, 213-		149-150, 153,
54687	185-186	60445	161		214, 217-218,		185-186, 191,
55067	241	60455	161		221, 225, 227,		193, 195, 197-
55747	289	60585	186		229, 297		198, 203, 207,
55753	279, 311, 313	60746	214	6178	137, 143, 153,		209-210, 214,
56051	317	60838	197-198		161, 235, 247-		217-218, 221,
56057	153	60857	146		248, 277		223, 227, 233,
56298	149-150, 243-	60868	186	6179	161		235, 237, 239,
	244	60886	281	61794	155-156, 251		241, 247-248,
56361	223, 319	6090	126, 137, 140,	61804	233		279, 283, 287,
56424	241, 279, 315		143, 146, 149-	61972	233		295, 297, 299,
56426-700	311, 313		150, 191, 207,	61974	233		303-304, 311,
56704	277		214, 218, 221,	61975	233		313, 315, 321
56848	243-244		227, 235, 237,	6198	145-146, 181-	66472	311, 313
56912	117-119, 121-		239, 241, 247-		182, 193, 195,	6666	281
	123, 126, 137,		248, 279, 283,		209-210, 213-	66812	149-150, 243-
	195, 207, 209-		311, 313		214, 221, 304,		244
	210, 218, 227,	6091	129, 137, 139-		319	66813	149-150, 244
	235, 241, 295,		140, 143, 145-	61997	233	66815	244
	297		146, 159, 185-	62076	17, 25	66816	244
56934	315		186, 191, 193,	62077	15, 23, 47, 55,	66818	243-244
57072	221		209-210, 217-		63, 71, 111	6782	143, 181-182,
57075	281		218, 221, 223,	62078	33, 41		186, 201, 209-
58222	146		227, 233, 235,	62079	31, 39		210, 223, 241,
58223	146		237, 239, 241,	62256	163-164		307, 319
58249	197-198		287, 295, 299,	62257	163-164	6833	209-210, 295,
58253	155-156, 251		303-304, 311,	62258	164		311, 313
58256	181-182, 197-		313, 321	62260	163-164	6878	295
	198	6095	129, 137, 181-	62273	163-164	6884	237, 239
58274	181-182		182, 185-186,	62274	164	6886	145-146
58299	197-198		193, 195, 209-	62275	163-164	6888	137, 139-140,
58303	163-164		210	62276	164		143, 145-146,
58308	237	6096	145-146, 193	62392	251		185-186, 193,
58309	237	6097	118-119, 123,	62395	251		207, 217-218,
58310	237, 239		137, 139-140,	62420	181-182, 185-		233, 235, 241,
58354	185-186		145-146, 181-		186		287, 295, 299,
58380	146		182, 195, 209-	62421	186		303-304, 311,
58431	175		210, 217-218,	62425	197-198		313, 321
58489	139-140		227, 233, 237,	62433	186		
58566	181-182			62476	201		

Part Number Index (continued)

Part Number	Page	Part Number	Page	Part Number	Page	Part Number	Page
6889	237, 239, 247-248, 279, 283, 295, 297, 313, 315	73478P	241	77402	181-182, 185-186, 197-198	81467	197-198
6935	281, 319	73500	279	7746	279	81468	197-198
69775	182	73501	279	77478	185-186	81487P	247-248
69776	291-292	73574P	241	77483	186	81488	247-248
70264	237, 239	73575	241	77610	118-119, 123	81532	311
70289	214	73587	241	77616P	221	81550	248
70290	214	73610	241	77618P	217-218	81551	247-248
70298	186	73610P-S	283	77623P	125-126	81552	129
70317P	297	73634	233	77643	117-119, 121-123	81570	281
70318P	297	73713	217-218	77645P	137	81578	137
70319	297	73717	153, 247-248	77646P	137	815852	214
70351P	181-182	73723	247-248	77648	221	81640	227
70357	185-186, 195, 209-210	73725	217-218	77649	221	81691	129
70375	181-182	73736	153, 247-248	77653P	217-218	81694	213-214
70381	182, 201	73739	213-214	77654P	217-218	8170	137
70385	182, 186	73753	153	77656	217-218, 221	81724	145-146
70387	139-140	73754	153	77664	315	8177	118-119, 123, 175, 197-198, 213-214, 317
70444	198	73803	153, 247-248	77665P	145-146	81777	237, 239
70445	201	73805	149-150	77666P	145-146	8178	297, 317, 321
70448	197-198	73807	173	77671	145-146	8179	129, 217-218, 237, 239
70449	198	73811	218	77672	214	81812-13292	261
70452	181-182, 195, 209-210	73814	213-214	77674	126	81834	145-146
70453	181-182	73928	137, 159, 227, 233	77676	145-146	81856	217-218
70454P	201	74006	281, 303-304	77679	139-140	81874	143
70455	197-198	74052	281	77680	139-140	81876	143
70456	201	74254	159	77681	139-140	81975P	323
70459P	181-182	74255	229, 231	77683-S	315	82161	13, 29, 45, 61, 77, 93
70460P	181-182	74389	117-119, 121-123	77685	307	82237	15, 19, 31, 35, 47, 51, 63, 67, 79, 83, 95, 99, 303-304, 307
70461P	181-182	74872	217-218	77688	221	82240	21, 37, 53, 69, 85, 101, 109
70465	197-198	74902	163-164	77692	227, 233	82243	19, 35, 51, 67, 83, 99
70472P	182	74913	153	77693	287	822687	319
70483	201	74917	153	77713	221	822688	319
70494P	181-182	74918	153	77718	217-218, 221	82366	13, 29, 45, 61, 77, 93
70499	182	75041	214, 291-292	77725	117-119, 121-123	823816	205
70529	301	75073	143, 145-146	77726	117-119, 121-123	823917	155-156
7056	153, 281	75076	143	77756	323	823918	155-156
7057	319	75159	195	77764	307	824063	323
71038	285	75278-5029	261	77765	307	82410	19, 35, 51, 67, 83, 99
71259	287	75278-5129	261	77778	143	824113	323
71498	317	75395	227	77788	175	82431	175
71768	218	75443	251	77790	117-119, 121-123	824546	214
71911	193, 198	75444	251	77791	117-119, 121-123	824547	239
72047	163-164	75445	251	77795	217-218	824548	239
72168	13, 29, 45, 61, 77, 93	75447	251	77797	311, 313	824549	239
72169	13, 29, 45, 61, 77, 93	75448	251	77803	145-146	824550	214
72255	181-182, 197-198	75449	251	77803	145-146	824551	227
72282	277	75470	213-214	77870	323	82472	21, 23, 25, 37, 39, 41, 53, 55, 57, 69, 71, 73, 85, 87, 89, 101, 103, 105, 109, 111, 113
72290	118-119, 122-123, 126	75574	258	77879P	297	82473	23, 39, 55, 71, 87, 103, 111
72326	137, 244, 277	75617-1538	313	77880	118-119, 123	82481	21, 37, 53, 69, 85, 101, 109
72327	209-210	75617-1675	311, 313	77882	218	82487	21, 27, 37, 43, 59, 69, 75, 85, 91, 101, 107, 109, 115
72343	185-186, 193, 207	75617-1788	313	77887	301	824879	149-150, 243-244
72344	185-186	75617-6275	313	77891	301	82548	27, 43, 59, 75, 91, 107, 115
7268	229	75617-6475	311, 313	77896	237		
72875	19, 35, 51, 67, 83, 99, 279	75631	191, 205	77950	125-126		
72999	13, 29, 45, 61, 77, 93	75636	311, 313	77990	186		
73233	241	75654	254	77996P	297		
7339	117-119, 121-123, 153, 207	77069	139-140	77997P	297		
73455	118-119, 123, 125-126, 145-146	77071	139-140	77998P	297		
73463-1175	315	7713	186, 241, 315	79456	227		
73477P	241	77139	146	80543	303-304		
		77180	241	80716	149-150		
		77181	227	81005	146		
		77219	139-140	81096	281		
		77245P	182	81164	117-119, 121-123		
		77295	193, 207	81167	297		
		77303	225	81175	227		
		77351	247-248	81341	237, 239		
		77353	137	81342	237, 239		
		77354	137	81347	237, 239		
		77365	137	81458	281		
		77382	289				

Part Number Index (continued)

Part Number	Page	Part Number	Page	Part Number	Page	Part Number	Page
8255	118-119, 123, 145-146, 209-210, 227	88729	117-119, 121-123	94374-2430	261	97875	15, 19, 31, 35, 47, 51, 63, 67, 79, 83, 95, 99
82551	21, 23, 37, 39, 53, 55, 69, 71, 109, 111	88730	117-119, 121-123	94374-2530	263	97887	35, 51, 67, 83, 99
82552	21, 23, 37, 39, 53, 55	88783	167	94374-2630	261	99778	291-292
82601	27, 43, 91, 107	88785	177	94374-4730	263	NOTE:	291-292
82602	43, 59, 75, 91, 107	88786	173	94374-6030	253-254, 273, 275	Ref.	241, 243-244
82604	27, 43, 91, 107, 115	88793	221	94397	227	T106385	223
82671	23, 27, 39, 43, 55, 59, 71, 75, 87, 91, 103, 107, 111, 115	88795	217-218	94420	323	T106413	214
82677	29, 31, 45, 47	88796	221	94439	131	T106425	145-146
82678	29, 31, 45, 47	88801	156	94463	299	T106508	214
82862	19, 35, 51, 67, 83, 99	88802	156	94464-4186	265	T106600	156
82967	21	88810	155-156	94464-4986	261, 263	T106741	156
83129	155-156, 251	88841	186	94465-3650	253-254	T106954	145-146
83130	317	88846	185-186	94466-2336	261, 263	T106955	145-146
84134	167	88847	185-186	94479	299	T106957	145-146
84135	167	88858	237, 239	94485	181-182	T106961	145-146
85053	182, 197-198	88859	237, 239	94493-S	315	T106962	145-146
85054	182	88870	225	94499	163-164	T107130	156
85155	185-186	88872	213-214	94506	243-244	T107520	149-150
8516	145-146, 195, 229, 231	88874	117-119, 122-123, 126	94507	117-119, 121-123	T107751	214
85300	279	88885	126	94508	125-126	T107829	137
87085	237, 239	88886	118-119, 122-123, 125-126	94510	221	T107895	299
87172	271	88887	125-126	94526	137	T108075	225, 227, 229, 231
87246	309	88888	137	94533	299	T108076	227
87247	221	88889	137, 159	94534	117-119, 121-123	T108077	227
88064	197-198	88917	137	94535	117-119, 121-123	T108321	155-156
88106P	143	88919	214, 217-218	94536	117-119, 121-123	T108322	156
88212	145-146	88920	213-214	94537	299	T108331	137
88296	126	88936	253-254	94598	164	T108332	143
88356-11103	213-214	88942-8354	254	94599	163-164	T108333	143
88356-13103	145-146, 217-218	88943-7636	253-254	94620	145-146	T108336	143
88356-14963	218	88949-3828	253-254, 271	94643	233	T108337	143
88377-1400	315	88957	175	94692	217-218	T108338	143
88384	311, 313	88987P	185-186	94745P	241, 283	T108339	143
88385	311, 313	88988P	185-186	94746	126	T108340	143
88390	311, 313	88989P	186	94747	145-146	T108341	143
88406	307	88990P	185-186	94751	169	T108342	143
88450	193	88991P	186	94752	169	T108343	143
88452	189, 203	88993	186	94753	169	T108344	143
88514	237	8910	307	94754	169	T108345	143
88516	225, 227	8914	315	94756	169	T108346	149-150
88567	221	8915	139-140, 186, 227, 297	94757	169, 303-304	T108347	150
88568	217-218	89294	117-119, 121-123, 131	94758	167	T108348	150
88571	217-218	89307	163-164	94759	177, 179, 303-304	T108349	150
88576	225	89309	163-164	94760	177, 303-304	T108350	149-150
88606P	279	89310	163-164	94761	177	T108351	149-150
88607P	279	89311	163-164	94762	185-186	T108403	137
88636-11973	257-258	89571	145-146	94764	177	T108415	155-156
88636-2573	258	89575	153	94765	177, 303-304	T108416	156
88636-8573	265	89617	139-140	94766	177, 303-304	T108700	131
88653	213-214	89736	164	94869	283	T108732	201
88665	213-214	89755	233	94886	186	T108733	201
88666	213-214	89771	186	94888	185-186	T108734	201
88667	217-218	89792	182	94889	186	T108886	156
88668	213-214	89796	182	94937	145-146	T108890	217-218
88675	213-214	89861	163-164	94980	156, 161, 214	T108891	217-218
88676	213-214	89862	173	9596	279	T108892	227
88684	139-140	89863	173	9599-S	279	T109267	139-140
88705	237	89864	173	96008-S	149-150	T109268	277
88727	117-119, 121-123	89953	185-186	96010	153	T109328	279
88728	117-119, 121-123	89977	307	97128	213-214, 217-218	T109329	279
		89997	198			T109331	281
		9145	304, 319	97548	15, 31, 47, 63, 79, 95	T109332	285
		94077	139-140			T109333	285
		94205-3164	271, 287	97579	19, 35	T109334	285
		94221	118-119, 123	97602	15, 31, 47, 63, 79, 95	T109335	287
		94326	233	97815	19, 27, 35, 43, 51, 59, 67, 75, 83, 91, 99, 107, 115	T109339	301
		94332	117-119, 121-123			T109340	301
		94333	117-119, 121-123			T109341	247-248
		94374-2330	263			T109342	247-248
						T109343	247-248
						T109344	247-248



Part Number Index (continued)

Part Number	Page
T109345	247-248
T109346	247-248
T109347	247-248
T109348	247-248
T109349	247-248
T109350	247-248
T111124	225
T112018	195
T112459	223
T112560	281
T112561	281
T112563	281
T112626	251
T112773	19, 27, 35, 43, 51, 59, 67, 75, 83, 91, 99, 107, 115
T113129	307
T113655	303-304
T114022	303-304
T114023	303-304
T114145	307
T114223	239
T114624	156, 317
T114625	156, 317
T114626	156, 317
T114627	156, 317
T114678	181-182, 197- 198
T115352	248
T115605	214

The Part Description Index is an alphabetical index of all part descriptions included in this manual. The index shows what page(s) the part is used on.

#
 #1 BOOM TUBE ASSM, W/SYM DECAL...217-218
 #1 BOOM TUBE ASSY,W/WORD DECAL.....217-218

1
 12VDC PROPORTIONAL VALVE.....319

2
 207 HYD MOTOR ASSY, GEN.....319

5
 5/16-18 X .75 LG.FLG.LCK.SCREW.....203

A
 ACC, BEACON, TRVL ALARM.....277
 ACC, OIL COOLER,S60, SERV.....287
 ACC,AIR PRE-CLEANER,DEUTZ.....301
 ACC,AIR PRE-CLEANER,PERKINS T2.....301
 ACC,AIRLINE TO PLAT,S60 ,SERV.....281
 ACC,FULL GAUGE,DEUTZ,SERV.....285
 ACC,FULL GAUGE,FORD DSG423,SV.....285
 ACC,FULL GAUGE,PERKINS,SERV.....285
 ACC,PLAT CONTROL COVER, SERV.....279
 ACCESSORY,OPERATOR PROT STRUCT.....321
 ACCUMULATOR,10CC,1000PSI,#6SAE...163-164
 ADAPTER, 1/8 X 1/4 F3H6-S.....285
 ADAPTER, MIXER/THRO, MSG425.....203
 ADAPTER, WATER CONN, MSG425.....203
 ADAPTER,140130-4-4.....285
 ADAPTER,140139-8-6.....285
 ADAPTER,MIXER/THROTTLE BODY.....189
 ADAPTER,NPT 6-4.....285
 ADJ ROD, LH/RH, 3/8-24.....161
 ADJUSTABLE STRAP ASSY.....315
 AIR CLEANER,FORD,T3.....193, 207
 AIR CLEANER,NELSON.....197-198
 AIR CLEANER,NELSON***.....181-182, 185-186
 AIR INTAKE TUBE ASSY.....181-182
 ALARM,DESCENT.....137
 ALARM,WARBLE TONE 5-30 VDC***.....244
 ALARM.INTERMITTENT TONE.24V.....277
 ALTERNATOR.....309
 ALTERNATOR, DEUTZ F3L10/F4L10*.....181-182
 ALTERNATOR, DEUTZ,BF4L2011***.....197-198
 ALTERNATOR,65 AMP,PERKINS 404.....185-186
 ALTERNATOR,DSG-423.....193, 205
 ANGLE,RELAY MNT,W/NUTSERTS,PNT...153
 ASSEMBLY, INSIDE HOSE GUARD.....135
 ASSEMBLY, OUTSIDE HOSE GUARD.....135
 ASSEMBLY, TRAX UNIT, LEFT.....131
 ASSEMBLY, TRAX UNIT, RIGHT.....131
 ASSEMBLY, WELD CABLE, S60.....307
 ASSEMBLY, WELD CABLE, S65.....307
 ASSEMBLY,BOOM TUBE #1 S60/65.....213-214

ASSEMBLY,BOOM TUBE #3 S60/65.....217-218
 ASSEMBLY,FOOT SWITCH.....241
 ASSEMBLY,FOOT SWITCH***.....241
 ASSEMBLY,FOOT SWITCH,S60.....241
 ASSEMBLY,GFCI/CIRCUIT BREAKER.....303-304
 ASSY HEATER, MODEL 18, 120V.....291-292
 ASSY HEATER, MODEL 18, 240V.....291-292
 ASSY, ANGLE SENSOR AND COVER.....214
 ASSY, BATTERY HEATER, 120V.....291-292
 ASSY, BATTERY HEATER, 240V.....291-292
 ASSY, CIRCUIT BREAKER 15A.....149-150
 ASSY, CLAMP, OPTIONS.....239
 ASSY, FUEL PICKUP TUBE.....139-140
 ASSY, LONG LINK LT W/BEARINGS.....213-214
 ASSY, LONG LINK RT W/BEARINGS.....213-214
 ASSY, TERMINAL RAIL.....153
 ASSY,120V HEATER, HYD TANK.....291-292
 ASSY,240V HEATER, HYD TANK.....291-292
 ASSY,4FT PLATFORM, NO DECALS.....241
 ASSY,5FT PLATFORM, NO DECALS.....241
 ASSY,6FT PLATFORM, NO DECALS.....241
 ASSY,8FT PLATFORM,NO DECALS.....241
 ASSY,BLEED LINE (139367).....303-304, 309
 ASSY,ENGINE TRAY,W/BEARINGS.....145-146
 ASSY,FOUR LINK CABLE TRACK***.....237
 ASSY,LS,LOAD SENSE,38.5 IN.....155-156, 233
 ASSY,PCB ALC500 S60 LEG V202.....247-248
 ASSY,PCB,ALC500-2 S60 V203.....247-248
 ASSY,RELAY SOCKET, AUTO.....153
 AUX TOP RAIL,6"(1.25")SERVICE.....279
 AUX TOP RAIL,6",SWG GT, SRV.....279
 AUX TOP RAIL,6FT,PTD.....279
 AUX TOP RAIL,8"(1.25")SERVICE.....279
 AUX TOP RAIL,8",SWG GT, SRV.....279
 AUX TOP RAIL,8FT,PTD.....279
 AXLE ASSEMBLY,S60 FRONT.....119, 123

B
 BACKING PLATE, HOSE BLOCK, JIB.....227
 BAFFLE, CNTRWT, S60 MSG425.....209-210
 BAFFLE,AIR INTAKE S60.....197-198
 BAFFLE,AIR INTAKE,FORD PNTD.....145-146
 BAFFLE,AIR INTAKE,PAINTED.....145-146
 BAFFLE,PERKINS ENGINE PAINTED.....186
 BAFFLE,RADIATOR,FORD.....195
 BALL JOINT, 3/8-24 FEMALE.....161
 BALL JOINT, 3/8-24 LEFT HAND.....161
 BALL STUD**.....143
 BAR, CLAMP, CABLE TRACK.....239
 BAR, CLAMP, TIMINKINK.....214
 BASE, W/1 N.O. CONTACTS***.....244
 BASE,W/2 NC CONTACTS***.....149-150
 BASE,W/3 NC CONTACTS.....243-244
 BATTERY CABLE,NEGATIVE,BLACK.....156
 BATTERY CABLE,POSITIVE,RED.....156
 BATTERY HOLD DOWN,GROUP 31.....137
 BATTERY,12V,1000 CCA GRP 31.....137
 BEARING KIT,OMNI***.....118-119, 122-123, 125-126
 BEARING KIT,PLAT ROTATOR,SUPER.....227

BEARING, SPL BOGEY (128918).....135
 BEARING,1.00IDX1.25ODX1.00L.....117-119, 121-123
 BEARING,1.25IDX1.50X1.25L.....217-218
 BEARING,1.25IDX1.50DX1.00L.....214, 217-218, 225, 229, 231
 BEARING,1.5IDX1.75ODX1.5L...119, 123, 131
 BEARING,2.00IDX2.25ODX2.00L.....119, 123, 126, 133
 BEARING,2.0IDX2.25ODX1.50L.....213-214, 217-218
 BEARING,2.25IDX2.50ODX1.50L*.....213-214
 BEARING,BALL DRIVE SHAFT.....117-119, 122-123, 126
 BEARING,FL, 1.25X1.5X2.13.....227
 BEARING,FL,1.25IDX1.41ODX1.50L.....227
 BEARING,FL,1.25IDX1.50DX1.25L.....145-146, 182, 195, 227
 BEARING,FL,2.00IDX2.25ODX1.50L.....213-214
 BEARING,FL,2.25IDX2.50ODX1.63L.....214, 217-218
 BEARING,GARLOCK,12FDU12.....229, 233
 BEARING,POLYGON,20DU12.....225, 227
 BEARING,TURNABLE ROTATION.....126
 BELLCRANK W/BEARINGS(S60).....227
 BELLOW,CYLINDER LIFT.....299
 BELLOW,CYLINDER,PLAT LEVEL.....299
 BELLOW,MASTER CYLINDER.....299
 BELT, FEAD, MSG425.....205
 BELT,SERPENTINE,DSG-423.....191
 BELT,V, DEUTZ DIESEL ENGINE.....181-182
 BIT,TORX SOCKET,SECURITY.....307
 BLANKET,BATTERY.....289
 BLOCK HEATER,FORD DSG-423.....289
 BOLT, GUARD, DEUTZ STARTER.....181-182
 BOLT,CARRIAGE,1/4-20 X .75,G2.....295
 BOLT,CARRIAGE,1/4-20 X 1.00,G2.....227
 BOLT,CARRIAGE,1/4-20 X 2.75,G2.....227
 BOLT,EXHAUST,PERKINS(54555).....185-186
 BOLT,FLANGE,3/4-10X1.5"GR8 PLT.....135
 BOLT,FLANGE,3/4-10X1.75GR8 PLT.....135
 BOLT,FLANGE,3/4-10X4.5"GR8 PLT.....135
 BOLT,FLANGE,5/16-18X.50 GR5.....135
 BOLT,FLANGE,5/8-11X1.5"GR8 PLT.....135
 BOLT,HHC,1-14X2.0"GR8 PLT.....135
 BOOT(BELLOW),E-STOP,BLACK.....243-244
 BOOT,ROCKER JOYSTICK 75565.....251
 BOOT,CABLE TERM,MED.BLACK,4/0.....307
 BOOT,CABLE TERM,MED.RED,4/0.....307
 BOOT,CABLE TERMINAL,BLACK,2/0.....307
 BOOT,CABLE TERMINAL,LG.RED,2/0.....307
 BOOT,DTSCH,DTP4-BT.....217-218
 BOOT,JOYSTICK.....251
 BOOT,PLUG 4 WAY.....213-214
 BOOT,TOGGLE SWITCH,SHORT*.....243-244, 311, 313, 319
 BOTTLE,COOLANT RECOVERY,3.7***.....185-186, 195, 209-210
 BOX,INSTRUCTION STORAGE.....241
 BRACKET, EXTEND SHEAVE.....221
 BRACKET, OSCILLATE VALVE.....129
 BRACKET,1K OHM 10-TURN POT.....153
 BRACKET,CABLE TRACK,FIXED END*.....237
 BRACKET,CABLE TRACK,MOVING END.....237
 BRACKET,FILTER MOUNT.....146

Part Description Index (continued)

B R A C K E T , G E N E R A T O R 1 2 . 5 KW,PNTD*.....303-304, 319	CAP,520112-8.....182	CLAMP,HOSE,SIZE .25 TO .63.....195, 209- 210
BRACKET,HOSE CLAMP.....227	CAP,COOLANT 3/4.....193, 209-210	CLAMP,HOSE/CABLE,JIB.....227
BRACKET,HOSE ROUTING,LH,PTD.....117- 119, 121-123	CAP,DIAGNOSTIC NIPPLE.....253-254, 257- 258, 261, 265	CLAMP,LINK,LH.....214
BRACKET,HOSE ROUTING,RH,PNTD.....119, 123	CAP,DISENGAGE,OMNI***.....118-119, 122- 123, 125-126	CLAMP,LINK,LH WELD WIRE.....214
BRACKET,PBOX WIRE SUPPORT.....247-248	CAP,EPDM,5/16".....189, 193	CLAMP,MUFFLER.....186
BRACKET,POWER TO PLAT TBOX,PNT.....307	CAP,EXTENSION.....217-218	CLAMP,MUFFLER, 2.50 INCH.....193, 198
BRACKET,POWER TO PLAT, DOM.....281	CAP,FUEL,DIESEL,1/8"VENT(GRN).....139- 140	CLAMP,MUFFLER,1-7/8 IN.....193, 207
BRACKET,POWER TO PLAT, UK.....281	CAP,FUEL,GASOLINE 3.5PSI.....139-140	CLAMP,MUFFLER,1.75 INCH.....207
B R A C K E T , R E G U L A T O R SUPPORT,PNTD.....195	CAP,OIL FILLER,FORD DSG 423.....191, 205	CLAMP,RUB CUSH,0.75,#12 X 3/8".....193, 235
BRACKET,RELAY BLOCK MOUNT.....191	CAP,PLASTIC,2.5 ID.....301	CLAMP,RUBBER CUSHIONED-2 5/32.....140
B R A C K E T , S O L E N . M O U N T BRACE,PNTD.....182	CAP,RADIATOR,PERKINS/FORD.....186	CLAMP,SPRING,1/2".....189, 203
BRACKET,SOLENOID MOUNT PAINT.....182	CAST,LIMITER STOP BRKT L.....135	CLAMP,SPRING,7/16".....193
BRACKET,TENSIONER.....191	CAST,LIMITER STOP BRKT R.....135	CLAMP,TWO HOSE.....227
BRACKET,V275S WELD LEADS.....307	CASTING,WASHER,REBOUND.....209-210	CLEVIS YOKE-1/4-28,PLTD W/PIN...129, 182, 185-186, 197-198
BRACKET,WELDER COVER,PNTD.....307	CATCH,GRND.CTRL.BOX COVER.....297	CLIP,HAIR PIN .243 X 5.25.....323
BRACKET,WELDER MOUNT SUPPORT.....307	CBV ASSEMBLY.....145-146	CLIP,SPRING,1/4-20 BLACK.....214
BRACKET,WELDER SUPPORT,PNT.....307	CHAIN,NO.2 (11 LINKS).....311, 313	COIL ASSEMBLY.....189
BRACKET,WELDER TOP.....307	CHARGE WIRE, MSG425.....205	COIL ASSY, MSG425.....203
BRACKET,WORK LIGHT MOUNT 5/16".....279, 317	CIRCUIT BKR 10A TYPE 2 METAL.....153	COIL, 10V DC (D10, 20 WATT).....163-164
BRACKET-TOOL TRAY MOUNTING.....279	CIRCUIT BREAKER, 40AMP 3PH.....303-304	COIL, 10V.....163-164
BRAKE KIT (88886)***.....118-119, 122-123, 125-126	CIRCUIT BREAKER,20A,SINGLE PH.....303- 304	COIL,10V DC,DEUTCH W/DIODE***.....173
BRAKE TUBING.....145-146	CIRCUIT BREAKER,50A,3P.....303-304	COIL,12V.....164
BREAKER, 25 AMP, GEN.....319	CIRCUIT BREAKER,GFCI 35AMP 3PH.....303- 304	COIL,12VDC #8 DTSCH IP69 ECOIL.....173
BREAKER,15 AMP,GEN.....319	CIRCUIT BRKR 15A TYPE 2 METAL.....198	COIL,DUAL,12V DEUT,49CC PUMP**.....175
BREATHER CAP,RFM165.....137	CLAMP TOP,HOSE ROUTING PAINTED.....119, 123	COIL,GREEN W/ 2 PIN CONNECTOR*.....163- 164
BRKT,AIR CLEANER ORIENTATION**.....181- 182, 185-186, 193, 207	CLAMP, CABLE.....239	COIL,VALVE,PROPORTIONAL***.....163-164
BUMPER, PLASTIC, 1.25 O.D.....279, 311, 313	CLAMP, CABLE TRACK, SUPPORT.....237	COIL-10V DC***.....177, 303-304
BUMPER,BATTERY BOX & RAILS.....279	CLAMP, CABLES.....239	COLD PKG GROUND, JUMPER ASSY.....291- 292
BUMPER,RUBBER***.....233	CLAMP, HOSE, PRIM.....237	COLD PKG PIGGY TAIL, 120V ASSY.....291- 292
BUMPER,RUBBER,.75 X .50H,STUD.....297	CLAMP, HOSES.....239	COLD PKG PIGGY TAIL, 240V ASSY.....291- 292
BUMPER,RUBBER-1 X 1.25.....137, 143	CLAMP, HYD WELD, AIR, OPT.....281	COLD WEATHER 120V J BOX ASSY.....291- 292
BUSHING, STRAIN RELIEF, 1".....214	CLAMP, HYD, WELD, AIR, OPT.....303-304	COLLAR,JOYSTICK,CENTER.....251
BUSHING,FUEL TANK FITTING (SM).....139- 140	CLAMP, OPTIONS, CABLE TRACK.....239	COMPR.LINK,MACHINED,GND CONTR*.....227
BUTTON,PUSH,BLACK W/SEAL***.....149- 150, 244	CLAMP, PULL TUBE.....237	CONN PLUG 2 WAY ENDCAP DT.....213-214, 291-292
BUTTON,PUSH,RED MUSHROOM HEAD.....149-150, 243-244	CLAMP, TIMING LINK.....214	CONN PLUG 3 WAY ENDCAP DT.....291-292
	CLAMP, TIMING LINK, LH.....214	CONN PLUG 4 WAY ENDCAP DT.....213-214
	CLAMP, TIMING LINK, RH.....214	CONN RECEP,FLANGED.....247-248
	CLAMP, WELD LEADS, AIR, OPT.....303-304	CONN, SAE#4-1/4" NPT.....303-304
	CLAMP,0.31,#5 X 1/4,RUB CUSH.....223, 233	CONN,520120-12-10.....309
	CLAMP,0.50,#8 X 1/4,RUB CUSH.....209-210, 295, 311, 313	CONN,520120-12-16.....253-254
	CLAMP,1.00,#16 X 1/4,RUB CUSH...153, 247- 248, 307	CONN,520120-16.....253-254, 257-258, 271
	CLAMP,1.00,#16 X 7/16,RUB CUSH.....197- 198	CONN,520120-20.....254
	CLAMP,1.13,#18 X 1/4,RUB CUSH.....311, 313	CONN,520120-4***.....253-254, 257-258, 261, 263, 265, 267
	CLAMP,1.25X.5 RUBBER-CUSHION.....241, 279, 315	CONN,520120-4-6***.....254, 261, 265, 323
	CLAMP,1.31,#21 X 3/8,RUB CUSH.....241	CONN,520120-4-8.....253-254, 265, 309
	CLAMP,1.63,#26 X 3/8,RUB CUSH.....227	CONN,520120-8***.....253-254, 257-258, 261, 263, 265, 267, 269, 273, 275
	CLAMP,EXHAUST,2.00 PLATED.....182, 186	CONN,520120-8-10.....253-254
	CLAMP,HOSE,.63.....193, 209-210	CONN,520120-8-12.....261, 273, 275
	CLAMP,HOSE,1 EAR,1/2.....140	CONN,520120-8-16.....253-254
	CLAMP,HOSE,1.25***.....207, 299	CONN,DSCH,BOOT,DT2P-BT.....218
	CLAMP,HOSE,1.50.....193, 195	CONN,DSCH,BOOT,DT2S-BT.....213-214
	CLAMP,HOSE,1.75.....185-186, 299	CONN,LONG,520122-12***.....273, 275
	CLAMP,HOSE,2.50****.....193, 207, 301	CONN,LONG,520122-4.....269
	CLAMP,HOSE,2X4,1X6,2X8***.....119, 123	CONN,PLUG 120 AC/15A DOMESTIC.....281, 292, 319
	CLAMP,HOSE,3.00".....181-182, 299	CONN,RECEP 120AC/15A DOMESTIC.....281, 319
	CLAMP,HOSE,3.50.....197-198	
	CLAMP,HOSE,5.00.....299	
	CLAMP,HOSE,6.50.....299	
	CLAMP,HOSE,8.50 DIA***.....181-182	

C

CABLE ASSY, EXTEND SET(PAIR).....221
CABLE ASSY, RETRACT SET (PAIR).....221
CABLE SQUEEZE CONN .63-.75.....303-304
CABLE SQUEEZE CONN,4 WIRE.....291-292
CABLE SQUEEZE CONN.....303-304
CABLE SQUEEZE CONN.,XTRA LRG.....319
CABLE STAY, TOP***.....237
CABLE TIE,BUTTON,BLACK,14.75LG.....223,
319
CABLE TRACK GUIDE TRIANGLE...218, 237,
239
CABLE TRACK, SX, 49 LINK.....239
CABLE TRACK,STEEL 49 LINKS.....218
CABLE TRACK,STEEL 49 LINKS***.....237
CABLE,S60 12VDC WORK LIGHT.....156, 317
CABLE,S65 12VDC WORK LIGHT.....156, 317
CAP ASSY,COOLANT BOTTLE***.....185-186,
195
CAP, COOLANT RET SYS(54071).....209-210
CAP, INT. MFLD. VAC, MSG425.....203
CAP, OIL FILLER.....186

CONN,RECEP 2 WAY ENDCAP DT.....218, 291-292, 317	COVER,GFCI,HORIZONTAL,WEATHER..281, 303-304	DECAL,COSM, S60 TRAX.....79, 87
CONN,RECEP 24 WAY,W/FLANGE.....153	COVER,GRND.CTRL.BOX,PAINTED.....297	DECAL,COSM, S65 TRAX.....95, 103
CONN,RECEP 3 WAY ENDCAP DT....291-292	COVER,LH,BOOM SECTION #1.....218	DECAL,COSM,GENIE S60 TRAX.....81, 89
CONN,RECEP 4 WAY ENDCAP DT....217-218	COVER,LIMIT SWITCH ASSY,S60.....295	DECAL,COSMETIC,4 X 2.....13, 21, 29, 37, 45, 53, 61, 69, 77, 85, 93, 101, 109
CONN,RECEP 4 WAY,12-14GA FL***.....153, 247-248	COVER,PRIMARY BOOM,PAINTED.....221	DECAL,COSMETIC,4 X 4.....13, 29, 37, 45, 53, 61, 69, 77, 85, 93, 101, 109
CONN,RECEP 40 WAY,W/FLANGE.....153	COVER,PROTECTIVE,JIB CYLINDER.....299	DECAL,COSMETIC,GENIE S-60.....17, 25
CONN,RECEP 48 WAY,4 X 12....153, 247-248	COVER,PROTECTIVE,STEERING.....299	DECAL,COSMETIC,GENIE S-60HC.....113
CONN,RECEP 6 WAY ENDCAP DT.....161	COVER,REAR AXLE.....125-126	DECAL,COSMETIC,GENIE S65.....33, 41
CONN,SQUEEZE,1/2NPT .38-.50,SM.....153, 281	COVER,RETRACT SHEAVE,PAINTED.....217- 218	DECAL,COSMETIC,S60.....15, 23, 47, 55, 63, 71, 111
CONN. SQZ,1/2NPT .39-.56 MED.....319	COVER,RH,BOOM SECTION #1.....218	DECAL,COSMETIC,S65.....31, 39
CONN. SQZ,1/2NPT .56-.63.....319	COVER,STEERING SENSOR.....214	DECAL,DANGER DO NOT ALTER SWTC.....17, 33, 49, 65, 81, 97
CONNECTOR, DEUTZ FUEL SHUTOFF*.....181-182, 197-198	COVER,WEATHERPROOF 3-PHASE.....307	DECAL,DANGER TIP OVER TRAX.....77, 79, 93, 95
CONNECTOR,010102-6-4.....195, 209-210	CRANK PULLEY, EXT, MSG425.....205	DECAL,DANGER,BATTERY SAFETY***.....13, 29, 45, 61, 77, 93
CONNECTOR,070120-4-8.....309	CRIMPER,DEUTSCH,LIGHT DUTY***.....155- 156, 251	DECAL,DANGER,ELEC.HAZ.STAY CLR...21, 23, 37, 39, 53, 55, 69, 71, 85, 87, 101, 103, 109, 111
CONNECTOR,520120-20-16.....253-254	CYLINDER, LIFT, S60HC.....161, 213-214	DECAL,DANGER,ELECT HAZARD***.....13, 15, 29, 31, 45, 47, 61, 63, 77, 79, 93, 95
CONTACT,N.O.....244	CYLINDER, STEER.....131	DECAL,DANGER,GENERAL SAFETY.....13, 19, 29, 35, 45, 51, 61, 67, 77, 83, 93, 99
CONTACT,NC.....243-244	CYLINDER,BOOM EXTENSION.....217-218	DECAL,DANGER,HI-FLOAT TIRE 60*.....29, 31, 45, 47
CONTACTOR,LIMIT SWITCH...213-214, 217- 218	CYLINDER,JIB (STICK BOOMS).....227	DECAL,DANGER,HIGH VOLTAGE.....15, 19, 31, 35, 47, 51, 63, 67, 79, 83, 95, 99, 303-304, 307
CONTROL BOX COVER,LID,PTD.....279	CYLINDER,LIFT,S60***.....213-214	DECAL,DANGER,MAX LOAD S60HCSYM.....115
CONTROL MODULE, MSG425.....209-210	CYLINDER,MASTER.....213-214	DECAL,DANGER,MAX SIDE FRC,667N.....43, 59, 75, 91, 107
CONTROL MODULE,DSG-423.....195	CYLINDER,MASTER,S60,S65.....213-214	DECAL,DANGER,NO SMOKING....13, 29, 45, 61, 77, 93
CONTROLLER ASSY SCON S60HC.....159	CYLINDER,OSCILLATE,S60.....118-119, 123	DECAL,DANGER,SIDE FRC 400N.....27, 43, 91, 107, 115
CONTROLLER ASSY TCON S60HC.....159	CYLINDER,PLATFORM LEVEL***.....225	DECAL,DANGER,TIP OVER,PLAT.....19, 35, 51, 67, 83, 99
CONTROLLER BOX, 120/240V, 50H.....319	CYLINDER,STEERING***...117-119, 121-123	DECAL,DANGER,TIP-OVER,WELDER**....19, 35
CONTROLLER BOX, 120/240V, 60H.....319		DECAL,DANGER,TIPOVER,TILT....19, 35, 51, 67, 83, 99
CONTROLLER W/O COILS (77788).....175		DECAL,DANGER,TIPOVER,TILT,SYM.....27, 43, 59, 75, 91, 107, 115
CORROSION INHIBITOR,FOAM.....247-248		DECAL,DANGER/LABEL,TIRE SPECS.....29, 31, 45, 47
COUNTERWEIGHT,S60 4350LBS.....137		DECAL,DIESEL.....13, 21, 29, 37, 45, 53, 61, 69, 77, 85, 93, 101, 109
COUNTERWEIGHT,S60/65 5500LBS**....137, 159		DECAL,DRIVE ENABLE PATCH.....27, 43, 59, 75, 91, 107, 115
COUPLER,15 TOOTH,FBA,FORD***.....193		DECAL,EMERGENCY LOWERING.....21, 37, 85, 101, 109
COUPLER,15 TOOTH,FBA,PERKINS*.....186		DECAL,ENGINE SPEC,DEUTZ 2011...15, 31, 47, 63, 79, 95
COUPLER,15 TOOTH,FBA,SAE8***.....201		DECAL,ENGINE SPEC,PERKINS***.....15, 31, 47, 63, 79, 95
COUPLER,15T,FBA,SAE 8,MSG425.....207		DECAL,EXPLOSION HAZARD.....15, 31, 47, 63, 79, 95
COUPLER,INSERT.....303-304, 309		DECAL,FIRE EXTINGUISHER.....19, 35, 51, 67, 83, 99
COUPLING (106113).....303-304		DECAL,FORD ENGINE SPEC DSG423.....15, 31, 47, 63, 79, 95
COUPLING - 1/4 NPT.....135		DECAL,GR CNTL PNL 60TX.....77, 85
COUPLING, 28MM (106113).....303-304		DECAL,GR CNTL PNL 60X 80X.....45, 53
COVER ASSY W/ SYMBOL DECALS LH...143		DECAL,GR CNTL PNL 60XC.....61, 69
COVER ASSY W/ SYMBOL DECALS RH...143		DECAL,INST OPER INST 60XC.....67
COVER ASSY W/WORD DECALS RH.....143		
COVER ASSY.W/SYMBOL DECALS LH.....143		
COVER ASSY.W/WORD DECALS LH.....143		
COVER, DUST.....135		
COVER, END, GEN, 120V.....319		
COVER, END, GEN, 240V.....319		
COVER, FOOT SWITCH, LARGE.....241		
COVER, JIB HOSES/CABLES.....227		
COVER, LIMIT SWITCH ARM MOUNT.....223		
COVER, PROTECTIVE, OSCILLATE.....299		
COVER, REAR AXLE.....133		
COVER, STRING POT, S60HC.....235		
COVER, W/DECALS, NONSTEER END*.....125-126		
COVER, WITH DECALS, STEER END*....117- 119, 121-123		
COVER,BLANK.....281		
COVER,CABLE TRACK.....299		
COVER,CONTROL BOX LEFT SIDE***.....279		
COVER,CONTROL BOX RIGHT SIDE**.....279		
COVER,DUST,IDLER,FORD DSG423.....203		
COVER,END,KIT (88887)***.....118-119, 122- 123, 125-126		
COVER,FLYWHEEL CASTING.....182, 201		

D

DANGER, TIPOVR, MAX CAP.....45, 51, 61, 67, 77, 83	
DANGER, TIPOVR,TIRES FF ONLY.....13, 15, 29, 31, 61, 63	
DECAL FAULT CODE.....19, 35, 51, 67, 83, 99	
DECAL GROUND CONTROL BOX.....13, 21, 29, 37, 77, 85, 93, 101, 109	
DECAL KIT,SYMBOLS,Z34IC.....21	
DECAL, COSM,GENIE S65 TRAX.....97, 105	
DECAL, INST, OPER INST 60X PLT.....51	
DECAL, OPER INST 6080X GRD.....45	
DECAL, OPER INST 60TRX GRD.....77	
DECAL, OPER INST 60XC GRD.....61	
DECAL, OPERATING INSTRUCTIONS.....13, 19, 29, 35, 77, 83, 93, 99	
DECAL, PATCH, GEN,ALC-500.....319	
DECAL, PLAT CNTL PNL.....19, 27, 35, 43, 83, 91, 99, 107	
DECAL, PLAT CNTL PNL 60HC.....115	
DECAL, PLAT CNTL PNL 60TX.....83, 91	
DECAL, PLAT CNTL PNL 60X 80X.....51, 59	
DECAL, PLAT CNTL PNL 60XC.....67, 75	
DECAL, WHEEL LOAD S60TRAX.....77, 79, 85, 87	
DECAL, WHEEL LOAD S65 TRAX.....93, 95, 101, 103	
DECAL,ANNUAL INSP***.....29, 45, 61, 77, 93	
DECAL,ARROW BLUE.....15, 23, 31, 39, 47, 55, 63, 71, 79, 87, 95, 103, 111	
DECAL,ARROW YELLOW LRG 9".....13, 21, 29, 37, 45, 53, 61, 69, 77, 85, 93, 101, 109	
DECAL,CAUTION,READ INST.....135	
DECAL,CAUTION,TOWING SPEED.....13, 29, 45, 61, 77, 93	
DECAL,CHEVRON RANDO HD.....13, 29, 45, 61, 77, 93	
DECAL,COMPARTMENT ACCESS.....15, 31, 47, 63, 79, 95	
DECAL,COSM GENIE S60X.....49, 57	
DECAL,COSM GENIE S60XC.....65, 73	

Part Description Index (continued)

- DECAL,INST PLAT CAP 60TRAX.....77, 83
 DECAL,INST PLAT CAP 60TRAX SYM.....85, 91
 DECAL,INST PLAT CAP 60X.....45, 51
 DECAL,INST PLAT CAP 60XC.....61, 67
 DECAL,INST PLAT CAP 60XC SYM.....69, 75
 DECAL,INST PLAT CAPACITY,SYM.....53, 59
 DECAL,INST,OPER INST 60TRAX.....83
 DECAL,INSTR,MAX SIDE FRC,ANSI...35, 51, 67, 83, 99
 DECAL,INSTR,SIDE FRC/WIND,AUS.....19, 35, 83, 99
 DECAL,INSTRUCT,FOOTSWITCH OPER.....19, 35, 51, 67, 83, 99
 DECAL,LABEL,105 DB.....21, 37, 53, 69, 85, 101, 109
 DECAL,LABEL,AIRLINE 110 PSI.....15, 19, 23, 27, 31, 35, 39, 43, 47, 51, 55, 59, 63, 67, 71, 75, 79, 83, 87, 91, 95, 99, 103, 107, 111, 115
 DECAL,LABEL,ASSY INSTALL,I.....135
 DECAL,LABEL,ASSY INSTALL,R.....135
 DECAL,LABEL,BELT ROUTING DSG.....15, 23, 31, 39, 47, 55, 63, 71, 79, 87, 95, 103, 111
 DECAL,LABEL,CONTROLS BATTERY.....13, 29, 45, 61, 77, 93
 DECAL,LABEL,FALL HAZARD***...25, 41, 57, 73, 89, 105, 113
 DECAL,LABEL,LIQUID PROPANE.....13, 21, 29, 37, 45, 53, 61, 69, 77, 85, 93, 101, 109
 DECAL,LABEL,LOWER MIDRAIL...19, 27, 35, 43, 51, 59, 67, 75, 83, 91, 99, 107, 115
 DECAL,LABEL,MANUAL NOT HERE...19, 35, 51, 67, 83, 99
 DECAL,LABEL,MAX CAPACITY***.....27, 43, 91, 107
 DECAL,LABEL,NO SMOKING,SYMB...21, 37, 53, 69, 85, 101, 109
 DECAL,LABEL,PATENTS.....29, 45, 61, 77, 93
 DECAL,LABEL,PETRO CANADA***.....13, 29, 45, 61, 77, 93
 DECAL,LABEL,RELAYS,S60&65...13, 29, 45, 61, 71, 77, 93
 DECAL,LABEL,STARTER BATTERY....13, 29, 45, 61, 77, 93
 DECAL,LABEL,TEST***.....13, 29, 45, 61, 77, 93
 DECAL,LABEL,TIP OVER LMT SWTCH.....25, 27, 41, 43, 53, 57, 59, 69, 73, 75, 85, 89, 91, 105, 107, 113, 115
 DECAL,LABEL,TIPOVER,TIRES,SYMB.....21, 23, 37, 39, 53, 55, 69, 71, 109, 111
 DECAL,LABEL,TIPOVER,TRAX,SYMB.....85, 87, 101, 103
 DECAL,LABEL,TIRE PRESS HF S60...21, 23, 37, 39, 53, 55
 DECAL,LABEL,TIRE PRESSURE S60.....21, 23, 37, 39, 53, 55, 69, 71, 109, 111
 DECAL,LABEL,TORQUE.....135
 DECAL,LABEL,TRANSPORT DIAGRAM....13, 15, 21, 23, 29, 31, 37, 39, 45, 47, 53, 55, 61, 63, 69, 71, 77, 79, 85, 87, 93, 95, 101, 103, 109, 111
 DECAL,LABEL,UCON HYDROLUBE....13, 29, 45, 61, 77, 93
 DECAL,LABEL,UNLEADED GAS ONLY....13, 21, 29, 37, 45, 53, 61, 69, 77, 85, 93, 101, 109
 DECAL,LABEL,WELD LINE INST,SYM.....23, 27, 39, 43, 55, 59, 71, 75, 87, 91, 103, 107, 111, 115
 DECAL,LABEL,WHEEL LOAD S60/60X.....13, 15, 21, 23, 45, 47, 53, 55
 DECAL,LABEL,WHEEL LOAD S60H/XC...61, 63, 69, 71, 109, 111
 DECAL,LABEL,WHEEL LOAD S65.....29, 31, 37, 39
 DECAL,LANYARD ANCHORAGE POINT...19, 27, 35, 43, 51, 59, 67, 75, 83, 91, 99, 107, 115
 DECAL,LOW/ULTRA LOW SULFR FUEL...13, 29, 45, 61, 77, 93
 DECAL,NOTICE,MAX LOAD 500 LBS.....19, 35, 83, 99
 DECAL,NOTICE,OPER INST.S60.....29, 35, 93, 99
 DECAL,NOTICE,SHUTOFF VALVES....13, 29, 45, 61, 77, 93
 DECAL,OPTION CONTROL BOX HEATR.....248
 DECAL,POWER TO PLATFORM 115V.....15, 19, 23, 27, 31, 35, 39, 43, 47, 51, 59, 63, 67, 71, 75, 79, 83, 87, 91, 95, 99, 103, 107, 111, 115
 DECAL,POWER TO PLATFORM 230V.....15, 19, 23, 27, 31, 35, 39, 43, 47, 51, 55, 59, 63, 67, 71, 75, 79, 83, 87, 91, 95, 99, 103, 107, 111, 115
 DECAL,PROTECTOR,CLEAR.....299
 DECAL,SYMBOL-BATTERY SAFETY.....21, 37, 53, 69, 85, 101, 109
 DECAL,SYMBOL-COMP ACCESS.....23, 39, 55, 71, 87, 103, 111
 DECAL,SYMBOL-READ THE MANUAL.....21, 27, 37, 43, 59, 69, 75, 85, 91, 101, 107, 109, 115
 DECAL,TOWING INSTRUCTIONS.....13, 29, 45, 61, 77, 93
 DECAL,TRIANGLE,BLUE...13, 15, 21, 23, 29, 31, 37, 39, 45, 47, 53, 55, 61, 63, 69, 71, 77, 79, 85, 87, 93, 95, 101, 103, 109, 111
 DECAL,TRIANGLE,YELLOW....13, 15, 21, 23, 29, 31, 37, 39, 45, 47, 53, 55, 61, 63, 69, 71, 77, 79, 85, 87, 93, 95, 101, 103, 109, 111
 DECAL,WARN,AVOID INJURY.....135
 DECAL,WARN,CRUSH HAZD.....135
 DECAL,WARN,CRUSH HAZARD HAND...13, 15, 17, 29, 31, 33, 45, 47, 49, 61, 63, 65, 77, 79, 81, 93, 95, 97
 DECAL,WARN,CRUSH HAZARD PLAT....19, 27, 35, 43, 51, 59, 67, 75, 83, 91, 99, 107, 115
 DECAL,WARN,FALL HAZARD.....17, 33, 49, 65, 81, 97
 DECAL,WARN,HIGH PRESS.....135
 DECAL,WARN,IMPROPER OPERATION...19, 35, 51, 67, 83, 99
 DECAL,WARN,WELD LINE INST.WORD....15, 19, 31, 35, 47, 51, 63, 67, 79, 83, 95, 99
 DECAL,WARNING,CRUSHING HAZARD...21, 23, 25, 37, 39, 41, 53, 55, 57, 69, 71, 73, 85, 87, 89, 101, 103, 105, 109, 111, 113
 DECAL,WARNING,PANEL CRADLE.....19, 35, 51, 67, 83, 99
 DECAL,WARNING,PIPE CRADLE,BOOM....19, 35, 51, 67, 83, 99, 279
 DIN RAIL,17".....153
 DIODE,6 AMP,200 PIV,BULK.....181-182, 197-198
 DIPSTICK, FORD DSG 423.....191
 DIPSTICK, MSG425.....203
 DIPSTICK, STRAIGHT SHORT.....186
 DIPSTICK,OIL,D2011.....182
 DIPSTICK-F3L1011F (DEUTZ).....197-198
 DISCONNECT KIT (88887).....118-119, 122-123, 125-126
 DRIVE COUPLING.....309
- ## E
- ELBOW,070220-4-4.....309
 ELBOW,130239-4-4.....195
 ELBOW,130339-6-6.....139-140
 ELBOW,45D,520320-12-16.....273, 275
 ELBOW,45D,520320-16.....254
 ELBOW,45D,520320-4.....253-254, 257-258
 ELBOW,45D,520320-8.....257-258, 267
 ELBOW,45DEG,520320-8-10.....267
 ELBOW,90 DEGR,RUBBER,2.5" I.D.*.....301
 ELBOW,90,1/4-18NPT,FEMALE.....135
 ELBOW,90D,1/4FPTX3/8MPT.....139-140
 ELBOW,90D,520220-16-12.....271, 287
 ELBOW,90D,520220-4-4.....253-254, 257-258, 265
 ELBOW,90D,520220-4-6***.....257-258, 261, 263
 ELBOW,90D,520220-6.....261, 263
 ELBOW,AIR INTAKE,RUBBER.....197-198
 ELBOW,SWIVEL NUT 90DEG,-4.....309
 ENCLOSURE BOX, GAUGE OPT,DRILLD.....285
 END BOGEY.....135
 END BRACKET,FIXED END.....239
 END BRACKET,MOVING END.....239
 END CAP, WHEEL DRIVE.....118-119, 122-123, 125-126
 END STOP, DIN RAIL,SCREW CLAMP.....153
 ENGINE HARNESS, MSG425.....203
 ENGINE KIT, DEUTZ TD2011L04i.....197-198
 ENGINE KIT,DEUTZ D2011L03i.....181-182
 ENGINE MOUNT, LEFT, MSG425.....209-210
 ENGINE MOUNT, REAR, MSG425.....209-210
 ENGINE MOUNT, RIGHT, MSG425.....209-210
 ENGINE TRAY ASSY W/BEARINGS.....145-146, 182, 195
 ENGINE, DEUTZ D2011L03i (SERV).....181-182
 ENGINE,PERKINS,DIESEL 404D-22.....185-186
 EXHAUST MANIFOLD.....185-186
 EXHAUST MANIFOLD, MSG425.....205
 EXHAUST PIPE GASKET.....201
 EXHAUST PIPE,DEUTZ.....182
- ## F
- FAN (FORD TIER 3).....191
 FAN BRACKET, MSG425.....205
 FAN BRACKET/PULLEY, MSG425.....205
 FAN DRIVE BELT, MSG425.....205
 FAN PULLEY, MSG425.....205
 FAN SHROUD, MSG425.....209-210
 FAN SPACER.....186
 FAN SPACER, MSG425.....205
 FAN, ENGINE (104-22)(404-22).....186
 FAN, MSG425.....205
 FEMALE BULKHEAD CONNECTOR-8.....281
 FIELD KIT,MTE 120V-60HZ, S60.....319
 FIELD KIT,MTE, 120V-50HZ, S60.....319
 FIELD KIT,MTE, 240V-50HZ, S60.....319
 FILTER ASSY,HIGH PRESS SAE-12*.....146
 FILTER ASSY,INTANK.....137

FILTER ASY,M PRESS,SAE8,WOIND*.....146	FORMING, LP REG MOUNT, MSG425.....209-210	FUEL FILTER W/SEP,DEUTZ,1008.....181-182, 197-198
FILTER ELEMENT,AIR,NOLFF LPG.....193, 207	FORMING, RAD SUPPORT, MSG425.....209-210	FUEL INJECTOR FORD DSG423, BK.....189
FILTER HEAD (29560).....181-182	FORMING, SENSOR BRACKET.....161	FUEL INJECTOR FORD DSG423, YL.....189
FILTER INDICATOR-(60334).....146	FORMING, SOLENOID MOUNT***.....197-198	FUEL JUMPER HARNESS.....155-156
FILTER LID,RFM165.....137	FORMING, TRACK BRACE, LH.....237, 239	FUEL RETURN,DAPCO 18.75.....139-140
FILTER,AIR CLEANER, SUPERBOOM....197-198	FORMING, TRACK BRACE, RH.....237, 239	FUEL RETURN,DAPCO 3/8".....139-140
FILTER,AIR***.....181-182, 185-186	FORMING,8.5' MUFFLER MOUNT.....201	FUEL SENSOR ASSY.....139-140
FILTER,ELEMENT,30 MIC,75020.....186	FORMING,AIR CLEANER MOUNT.....193, 207	FUSE BOX COVER.....191, 209-210
FILTER,ELEMENT,BETA(10)=200.....137	FORMING,AIR CLEANER MOUNT PNTD.....181-182, 201	FUSE BOX MOUNTING,LEFT.....191, 210
FILTER,ELEMENT,BETA(5)=1000.....146	FORMING,AIR FIT/WELD STUDPLAT*.....281	FUSE BOX MOUNTING,RIGHT.....191, 210
FILTER,FUEL.....140	FORMING,ANGLE LINKAGE BRACKET.....161	FUSE BOX RELAY STICKER.....191, 209-210
FILTER,FUEL,PERKINS.....186	FORMING,ANGLE SENSOR CABLE.....214	FUSE HOLDER,INLINE,GS.....289
FILTER,FUEL/WTR SEP, DTZ 1008.....181-182, 197-198	FORMING,BULKHEAD,LEFT FRONT.....139-140	FUSE,,6AMP,250V,WELDER,V275S.....307
FILTER,OIL,DEUTZ F4L1011F.....181-182, 197-198	FORMING,BULKHEAD,LEFT REAR...139-140	
FILTER,OIL,DEUTZ,REPLACEMENT.....181-182, 197-198	FORMING,CABLE GUIDE.....241	G
FINGER,GUIDE,CABLE TRACK.....239	FORMING,CAL TOGGLE SWITCH.....159	GAS STRUT,250 LBS FORCE***.....143
FIRE EXTINGUISHER.....307	FORMING,CLAMP,TOP,CABLE TRACK.....239	GASKET, EXHAUST, FORD MSG425.....205
FITTING, DEPR LP, MSG425.....203	FORMING,COVER STOP,PAINT.....143	GASKET, FUEL LEVEL SENDER, Z80.....139-140
FITTING, 1/4 NPT X SAE J2044.....139-140	FORMING,COVER STOP,PAINTED.....137	GASKET, MSG425.....205
FITTING,BARBED,STRT,FUEL LINE.....181-182	FORMING,DEUTZ AIR INTAKE BAF P.....181-182	GASKET, UK POWER TO PLAT.....281
FITTING,BARBED,TEE,FUEL LINE....181-182	FORMING,DRIVE ENABLE LIMIT SW.....145-146	GASKET,ACTUATOR PLATE.....189
FITTING,CONN,520120-12.....253-254, 257-258, 261, 263, 267, 269, 271, 273, 275, 287	FORMING,ENGINE MOUNT.....197-198	GASKET,COVER,GFCI,WEATHERPROOF.281
FITTING,CONN,520120-6.....253-254, 257-258, 261, 263	FORMING,ENGINE MOUNT PAINTED.....201	G A S K E T , E X H
FITTING,CONN,520120-6-8***.....261	FORMING,ENGINE MOUNT MOUNT RH PAINTE.....185-186	FLANGE-PERKINS54555.....185-186, 193, 207
FITTING,CONN,520120-8-6.....254	FORMING,ENGINE MOUNT,FL PAINT.....181-182	GASKET,GBOX,S80/85 2008.....153
FITTING,ELBOW,45D,520320-12***.....253-254, 267, 269, 273, 275	FORMING,ENGINE MOUNT,FR PAINT....181-182	GASKET,MIXER, FORD DSG423.....189
FITTING,ELBOW,45D,520320-4-6**.....257-258	FORMING,ENGINE MOUNT,LH PAINTE.....185-186	GASKET,PLATFORM CONTROL BOX.....247-248
FITTING,ELBOW,90D,520220-8***.....253-254, 273, 275	FORMING,FAN SHROUD.....195	GASKET,RETURN FILTER-77353.....137
FITTING,HYDRAULIC,90DEG,O-RING.....182	FORMING,FORD GCP MOUNT.....195	GASKET,THROTTLE ACTUATOR***.....189, 203
FITTING,ORIFICE,.047.....303-304, 309	FORMING,HARNESS SUPPORT,S60/65...137	GASKET,WATER PUMP.....185-186
FITTING,REDUCER,520123-12-8***.....273, 275	FORMING,HEAT SHIELD.....193	GASKET-CYLINDER HEAD.....185-186
FITTING,SAE J2044F X5/16 BARB.....140	FORMING,HEAT SHIELD MOUNT.....207	GASKET-THERMOSTAT HSG.....185-186
FITTING,TEE,BRANCH,520433-4.....265	FORMING,HEAT SHIELD,MUFFLER.....198	GATE LATCH CASTING--DRILLED.....279
FITTING,TEE,RUN,SWIVEL520432-4.....257-258, 261, 263, 265, 267, 269	FORMING,HEAT SHLD,HEADER PIPE.....193	GAUGE, FUEL LEVEL, 20/30 GAL.....139-140
FITTING,TEE,RUN,SWIVEL52043212.....267	FORMING,HYD SWIVEL BRACKET...145-146	GAUGE,OIL PRESSURE W/O SENDER....285
FLASHTUBE,STRAIGHT,360DEG,BULB...277	FORMING,LATCH,CTRL BOX LID PTD.....279	GAUGE,VOLTAGE.....285
FLASHTUBE,U SHAPED,360DEG,BULB...277	FORMING,LEFT ENGINE SUPPORT.....195	GAUGE,WATER TEMP.....285
FLATBAR, CLAMPS, CABLE TRACK.....239	FORMING,LIMIT SWITCH BRACKET.....217-218	GAUGE-SIGHT,LHA-LGTB***.....137
FLATBAR,ALUM,THROTTLE LINKAGE....185-186	FORMING,MFLD GUARD,MSG425.....207	GENERATOR, 3kW, 120V/50Hz.....319
FLEX PIPE,EXHAUST,2.5" DIA.....201	FORMING,MUFFLER MOUNT.....197-198	GENERATOR, 3kW, 120V/60Hz.....319
FLOORING, 6' FT PLATFORM.....241	FORMING,MUFFLER MOUNT PAINTED....186	GENERATOR, 3kW, 240V/50Hz.....319
FLOORING, 4 FT PLATFORM,PAINTED.....241	FORMING,OIL COOLER MOUNT.....287	GENERATOR,HYDRA,25CC,208V.....309
FLOORING, 5 FT PLATFORM,PAINTED.....241	FORMING,PINION GUARD PAINTED.....297	GENERATOR,HYDRA,25CC,208V***.....303-304
FLOORING, 8 FT PLATFORM**.....241	FORMING,RADIATOR BRACE LEFT.....195	GENERATOR,HYDRO-12KEP-21-3***.....303-304
FLYWHEEL ASSEMBLY,DSG-423 FORD...189	FORMING,RADIATOR SUPPORT**.....195, 209-210	GFCI,50A, 3PH.....303-304
FLYWHEEL ASSY, MSG425.....203	FORMING,REAR ENGINE MOUNT PNT.....181-182	GFI/CIRCUIT BREAKER ASSEMBLY.....303-304
FOAM PAD.....315	FORMING,REGULATOR MOUNT,PTD.....195	GLOW PLUG,L1011.....181-182, 289
FORD TIII FAN GUARD W/DECALS.....195	FORMING,RIGHT ENGINE SUPPORT.....195	GREASE,SERVICE PACKET.....186
FORMING BRKT, WIPER 1 TO 2.....295	FORMING,SOLENOID MOUNT.....186	GROMMET,4.00 GRV. X .75 THK.....218
FORMING BRKT, WIPER 2 TO 3.....295	FORMING,SOLENOID MOUNT PAINT.....182	GROMMET,RUBBER 3 X .19 X 3.5.....241
FORMING, BULKHEAD,RIGHT,S60/65.....145-146	FORMING,TT LH SIDE COVER PAINT.....297	GROUND CONTROL BOX LID WITH DECAL.....149-150
FORMING, CABLE ANCHOR.....235	FORMING,TT RH SIDE COVER PAINT.....297	GROUND CONTROL BOX WITH DECAL.....149-150
FORMING, ECU MOUNT, MSG425....209-210	FORMING,UPPER RAD SUPPORT PAIN...186	GROUNDING CABLE ASSEMBLY,18".....303-304
FORMING, GAUGE OPTION BRACKET...285	FORMING,WIPER GUARD LT.....297	GUARD, HOSE PROTECTOR.....119, 123
FORMING, HEAT SHIELD MOUNT.....207	FORMING,WIPER GUARD RT.....297	GUARD, SEAL.....135
	FUEL FILTER ASSEMBLY.....186	GUARD,FAN,FORD/PERKINS,PAINTED..185-186
		GUIDE FINGER,PLASTIC.....239

Part Description Index (continued)

GUIDE, EXT. CABLE BOTTOM.....221	HARNES,GAUGE OPT.,S60 PERKINS...155-156	HOSE ASSY,1/4 STR FEM,STR FEM.....261, 263
GUIDE, EXT. CABLE TOP.....221	HARNES,GBOX WIRING.....155-156	HOSE ASSY,1/4", 38.00.....257-258
GUIDE,HOSE,FORD.....195	HARNES,GENERATOR POWER.....156	HOSE ASSY,1/4,693".....257-258
	HARNES,JIB SELECT MANIFOLD...155-156	HOSE ASSY,1/4,90 FEM,STR FEM.....253-254, 261, 265, 267
	HARNES,JIB,PBOX,S65.....156	HOSE ASSY,1/4,90 FEM,STR FEM**.....257-258, 261, 265, 269
	HARNES,LS,DRIVE ENABLE.....155-156	HOSE ASSY,1/4,STR FEM,STR FEM.....253-254, 257-258
	HARNES,LS,OP,CABLE TENSION.....217-218	HOSE ASSY,3/4".....261, 263
	HARNES,LS,OP,PRIMARY ANGLE.....213-214	HOSE ASSY,3/4",45F,STR F.....273
	HARNES,LS,OP,PRIMARY EXT/RET.....213-214, 218	HOSE ASSY,3/4",90 FEM, STR FEM.....267
	H A R N E S S , L S , O P , P R I M A R Y VELOCITY.....213-214	HOSE ASSY,3/4,45 FEM, STR FEM.....275
	HARNES,PBOX,S60/65.....155-156	HOSE ASSY,3/4,45 FEM, STR MALE.....271, 287
	HARNES,PROX.KILL.....311, 313	HOSE ASSY,3/4,45 FEM,STR FEM**.....273
	HARNES,S60 TURBO DEUTZ SPEC.....155-156	HOSE ASSY,3/4,90 FEM STR FEM**.....271, 287
	HARNES,SECOND GLOW PLUG.....289	HOSE ASSY,3/4,90 FEM,STR FEM.....253-254, 261, 263, 269, 273, 275
	HEAT SHIELD, MSG425.....207	HOSE ASSY,3/4,90 FEM,STR FEM**.....261
	HEAT SHIELD,ALTERNATOR,FORD.....193, 205	HOSE ASSY,3/4,STR FEM STR FEM.....275
	HEAT SHIELD,DEUTZ STARTER.....181-182	HOSE ASSY,3/4,STR FEM,STR FEM.....253-254, 271
	HEATER, ADHESIVE, 1 AMP, 240V.....291-292	HOSE ASSY,3/8,STR FEM,STR FEM.....261, 263
	HEATER, ADHESIVE, 2.1 AMP,120V.....291-292	HOSE ASSY,3/8,STR FEM,STR,90D.....257-258
	HEATER, ADHESIVE, 2.3AMP, 240V.....291-292	HOSE ASSY,LP GAS.....195
	HEATER, ADHESIVE, 4.6AMP, 120V.....291-292	HOSE ASSY,,3/4",90øFEM,STR FEM.....253-254
	HEATER,120V BATTERY.....291-292	HOSE END,BARB,1/4 MNPTX5/16,90.....186
	HEATER,240V,BATTERY.....291-292	HOSE END,BARB,1/4 MNPTX5/16,ST.....186
	HEATER,FREEZE PLUG,FORD LRG423...289	HOSE END,BARB,3/8 MNPT X 5/16.....139-140
	HEATER,FREEZE PLUG,PRKINS40422.....289	HOSE GUIDE, JIB.....227
	HINGE CASTING.....279	HOSE HANGER, MSG425.....209-210
	HINGE,,375X.120THK.,SLOTTED...143, 145-146	HOSE, CLEAN AIR, MSG425.....207
	HINGE,GROUND BOX COVER.....297	HOSE, COOLANT BYPASS, DSG423.....189
	HINGE,PLAT CONTROL BOX COVER.....279	HOSE, COOLANT BYPASS, MSG425.....203
	HOOK,BATT HOLD DOWN,10".....137	HOSE, COOLANT, VAP, MSG425.....209-210
	HORN,12VDC,SPADE TERMINALS***.....137	HOSE, LOWER RADIATOR, MSG425.....209-210
	HOSE ASM-JCAF310-06-41.....175	HOSE, RAW AIR, MSG425.....207
	HOSE ASSEMBLY 3/4" STR-STR.....253-254, 267	HOSE, UPPER RADIATOR, MSG425.....207
	HOSE ASSEMBLY 3/4"STR-STR.....253-254	HOSE,1/4 FUEL LINE,SAE 30R7.....139-140, 181-182, 197-198
	HOSE ASSEMBLY 3/8".....261	HOSE,3/4,LP.....195
	HOSE ASSEMBLY,1/2"***.....281	HOSE,5/16 FUEL,SAE 30R7.....139-140, 182, 197-198
	HOSE ASSEMBLY,1/2,STR FEM.....269	HOSE,AIR 3/8.....191, 205
	HOSE ASSEMBLY,1/4".....323	HOSE,AIR CLEANER.....181-182
	HOSE ASSEMBLY,1/2,90FEM,STR FEM.....267	HOSE,AIR CLEANER TO INTAKE.....185-186
	HOSE ASSY 1",STR FEM,STR FEM.....253-254, 271	HOSE,AIR INLET.....185-186
	HOSE ASSY 1/4,90 FEM STR FEM.....261	HOSE,AIR INTAKE.....193
	HOSE ASSY 1/4,STR FEM,STR BULK.....257-258, 265	HOSE,AIR INTAKE 2.5" I.D.....301
	HOSE ASSY 3/8, STR FEM,STR FEM.....253-254, 261, 263	HOSE,AIR,MIXER.....193
	HOSE ASSY 3/8,STR FEM,90D.....257-258	HOSE,COOLANT,REG INTAKE.....195
	HOSE ASSY,1",90 FEM,STR FEM.....254	HOSE,FUEL,5/16 HIGH PRES 3 IN.....139-140
	HOSE ASSY,1.25",90 FEM,STR FEM.....253-254	HOSE,FUEL,5/16 HIGH PRES 35 IN.....139-140
	HOSE ASSY,1/2".....253-254, 261, 263, 265	HOSE,FUEL,5/16HIGH PRES 127 IN.....139-140
	HOSE ASSY,1/2,90 FEM,STR FEM.....253-254, 261, 267, 273, 275	HOSE,FUEL,5/16HIGH PRS 40 IN.....139-140
	HOSE ASSY,1/2,STR FEM,STR FEM.....257-258, 275	HOSE,FUEL,5/16HIGH PRS 43.5 IN.....139-140
	HOSE ASSY,1/2,STR FEM,STR FEM*.....273	HOSE,FUEL,5/16HIGH PRS 53.5 IN.....139-140
		HOSE,FUEL,5/16HIGH PRS 60 IN.....139-140

- HOSE, LOWER RADIATOR.....195
 HOSE, LOWER, RADIATOR, PERKINS.....185-186
 HOSE, OVERFLOW, RADIATOR.....195
 HOSE, RETURN, ENGINE.....193
 HOSE, UPPER RADIATOR.....193
 HOSE, UPPER RADIATOR, PERKINS.....186
 HOSE-HEATER, 5/8 ID-BLACK.....209-210
 HOUR METER, 10-80 VOLTS***.....149-150
 HOUSING, PUMP MOUNT (54573).....186
 HUB.....135
 HUBBLE NUT, PG11.....291-292
 HYD. HOSE ASSEMBLY 3000 PSI.....135
 HYDRAULIC TANK ASSEMBLY.....137
- I**
- IDLER BRACKET.....195, 205
 INJECTOR, FUEL (DEUTZ F3L2011F).....182
 INJECTOR, FUEL, MSG425.....203
 INTAKE MANIFOLD, MSG425.....203
 ISOLATOR, VAP. REG, MSG425.....209-210
 ISOLATOR, AIR FILTER MOUNT.....195, 209-210
 ISOLATOR, ENGINE VIBRATION.....197-198, 201
 ISOLATOR, ENGINE VIBRATION***.....181-182, 195, 209-210
 ISOLATOR, VIBRATION, M8 M/M.....195
 ISOLATOR, VIBRATION, M8 MALE/FEM.....186
- J**
- J-BOX ASSEMBLY, 8X10.....303-304
 JIB BOOM ASSY W/SYMBOL DECAL.....227
 JIB BOOM ASSY W/WORD DECAL.....227
 JOYSTICK.....243-244
 JOYSTICK CONNECTOR ASSEM, DEUT.....247-248
 JOYSTICK, 2 AXIS, DEUTSCH.....251
 JOYSTICK, 2 AXIS, ROCKER, DEUTSCH.....251
 JOYSTICK, DUAL AXIS W/KNOB.....251
 JOYSTICK, DUAL AXIS W/STEER.....251
 JUMPER COMB, 2-WAY, WIELAND.....153
 JUMPER COMB, 3-WAY, WIELAND.....153
- K**
- KEEPER, LATCH (45363).....143
 KEY, HEX, 5/16" X 2.50" LG, SS.....214
 KEYSWITCH, 3 POS. W/KEYS***.....149-150
 KIT, AUX TOP RAIL SUPPORT.....279
 KIT, CABLE TRACK, S60/65.....237
 KIT, DIPSTICK, MSG425.....203
 KIT, DSG423 COOLANT OUTLET.....189
 KIT, FOOTSWITCH, S40/S60/S80.....241
 KIT, GLAND NUT, S60 LIFT CYL.....213-214
 KIT, HEAT GUARD, DEUTZ STARTER.....181-182
 KIT, LIMIT SWITCH ARM.....223
 KIT, SEAL, PUMP, 1 SECTION.....175
 KIT, SEAL, PUMP, 2 SECTION.....175
 KIT, SKID PLATE, S60 TRAX.....131
 KIT, TERMINAL BLOCK.....153
 KIT, BRAKE SPRING***.....145-146
 KIT, CABLE TRAK FLAT BAR.....237
 KIT, CHARGE PUMP.....175
 KIT, CHARGE PUMP HOUSING.....175
 KIT, ELEMENT**.....137
 KIT, EXTEND/RETRACT CABLE, S60.....221
 KIT, FBA STYLE COUPLER, FORD.....193
 KIT, FBA STYLE COUPLER, PERKINS.....186
 KIT, FBA STYLE COUPLER, SAE8.....182
 KIT, FIELD INSTALL, SWING GATE.....279
 KIT, FITTING, REGULATOR DSG-423.....195
 KIT, FRICTION DISC***.....145-146
 KIT, GASKET, UK POWER TO PLAT.....281
 KIT, MTE&OIL COOL, 120V50HZ, S60.....319
 KIT, MTE&OIL COOL, 120V60HZ, S60.....319
 KIT, MTE&OIL COOL, 240V50HZ, S60.....319
 KIT, OP SWITCH, DEUTZ.....182
 KIT, PANEL CRADEL BRACKET, WORD.....315
 KIT, PANEL CRADLE BRACKET, SYMBL.....315
 KIT, PANEL CRADLE, CE.....315
 KIT, PERKINS T2 ENGINE REPLCMNT.....185-186
 KIT, PIN & RING***.....237
 KIT, PRIMER BULB.....182
 KIT, PUMP SHAFT SEAL W/INST***.....175
 KIT, REPAIR, DEUTSCH PLUG, W/TUBE.....155-156, 251
 K I T , R E P A I R , D E U T S H CONNECTORS**.....155-156, 251
 KIT, SEAL, 3CC PUMP***.....186
 KIT, SWING BRAKE REBUILD***.....145-146
 KIT, SWING GATE W/SPRING.....279
 KIT, TRAX, 9-BOLT, S60 W/OMNI HUB.....135
 KIT, TRAX, 9-BOLT, S60 W/RR HUBS.....135
 KIT, WELD LEADS ASSY, V275S.....307
 KIT, WIRE, 12.5KW WELDER.....307
 KNOB, JOYSTICK, 62390/62391.....251
 KNOB, ROCKER JOYSTICK 75565.....251
- L**
- LABEL, SCON SOFTWARE, S60HC.....109
 LABEL, TCON SOFTWARE, S60HC.....109
 LANYARD, PLATFORM CONTROL BOX...247-248
 LATCH, FLEXIBLE.....137
 LATCH, GRND.CTRL.BOX COVER.....297
 LATCH, SLIDE, FLUSH MOUNT STYLE.....279
 LENS, AMBER, STROBE, FIREBOLT.....277
 LEVEL SENSOR, LS60, YL, 2.5X4.5.....139-140
 LEVER, GOVERNOR ACTUATOR.....181-182
 LEVER, GOVERNOR ACTUATOR**.....197-198
 LIFT PUMP (FUEL).....186
 LIGHT, HI-BRITE AMBER 12V.....243-244
 LIGHT, INDICATOR, AMB., 12V, ENG.....149-150
 LIGHT, INDICATOR, RED, 14V.....149-150, 243-244
 LIGHT, LED IND. RED 12V NH...149-150, 243-244
 LIMIT SWITCH, BLUE, MICRO.....223
 LINING KIT, BRAKE, OMNI***.....118-119, 122-123, 125-126
 LOAD CELL FLEXURE.....229
 LOAD SUPPORT W/BEARINGS.....233
 LOCK, PLUG 2 WAY, 14-18GA.....213-214, 291-292
 LOCK, PLUG 3 WAY, 14-18GA.....291-292
 LOCK, PLUG 4 WAY, 14-18GA.....213-214
 LOCK, RECEP 2 WAY, 14-18GA.....218, 291-292, 317
 LOCK, RECEP 3 WAY, 14-18GA.....291-292
 LOCK, RECEP 4 WAY, 14-18GA.....217-218
 LOCK, RECEP 6 WAY, 14-18GA.....161
 LOCKNUT, ELEC, 1/2".....281, 319
 LOCKNUT, ELECTRIC, 1" NPT.....303-304
 LOCKNUT, ELECTRIC, 3/4".....319
 LOCKNUT, FLANGE, 5/8-11, GR8.....135
 LOCKOFF, LP, FORD DSG-423.....195, 209-210
 LOCKRING, RR...118-119, 122-123, 125-126
 LOCKRING, RR***.....122-123, 126
 LOWER IDLER FORD DSG-423.....191
 LOWER IDLER PULLEY, MSG425.....205
 LUG, STUD/WHEEL (88887).....118-119, 122-123, 125-126
- M**
- MACH, PLATE, LOAD SUPPORT.....229
 MACH. MOUNTING BLOCK.....131
 MACH., PLATE, STOP.....229
 MACHINED PIVOT PLATE WELDMENT...217-218
 MACHINED, LOAD CELL LINK.....229
 MALE PIPE THD, 1/4" SER, 3/8" X18.....281
 MANIFOLD ASSEMBLY, GEN.....319
 MANIFOLD, BRAKE 2-SPEED.....179
 MANIFOLD, BRAKE/2 SPD W/QD PLG*.....177
 MANIFOLD, DRIVE OIL DIVERTER***.....303-304
 MANIFOLD, EXHAUST TURBO.....193
 MANIFOLD, FUNCTION.....163-164
 MANIFOLD, INTAKE FORD DSG-423.....189
 MANIFOLD, JIB SELECT W/QD PLUG*.....173
 MANIFOLD, ROTATOR, CB***.....173
 MANIFOLD, TRACTION, 2WD.....167
 MANIFOLD, TRACTION, 4WD***.....171
 MAP SENSOR, DSG-423.....189, 203
 MESH, HALF, SWING GATE***.....279
 MIXER, MSG425.....203
 MIXER, LPG, DSG-423.....189
 MODULE, CONTROL, HI AMP.....153
 MODULE, IGNITION/START, 12/24V.....153
 MODULE, LOAD SENSE 2007.....153
 MODULE, TIME DELAY ON BREAK 4S.....153
 MOTOR MOUNT.....309
 MOTOR, 12VDC, 77066.....139-140
 MOTOR, HYD 12.5KW GEN, 21CC***.....303-304
 MOTOR, HYD, 25CC FIXED***.....303-304, 309
 MOTOR, PISTON, 30CC, 4WD***.....117-119, 122-123, 126
 MOTOR, PISTON, 35CC, 2WD***.....126
 MOUNT COVER.....309
 MOUNT, STRING POT, S60HC.....235
 MOUNT, SWITCH.....233
 MOUNTING BAND, AIR CLEANER.....197-198
 MOUNTING BAND, MUFFLER, 8.0".....193, 207
 MPT, CPLR, 1/4" SER, 3/8" X18.....281
 MUFFLER, 2.5" INLET/OUTLET.....198
 MUFFLER, 6".....186
 MUFFLER, CAT/SPARK, DEUTZ.....181-182, 198
 MUFFLER, CATALYTIC.....186
 MUFFLER, DEUTZ.....181-182
 MUFFLER, SPARK ARRESTOR.....186
- N**
- NIPPLE, DIAGNOSTIC, #6 PORT***.....253-254, 257-258, 261
 NIPPLE, DIAGNOSTIC, ORFS, FM, SWIV.....254, 265
 NIPPLE, STEEL PIPE, 1/4NPTX1 LG.....135
 NIPPLE, STEEL PIPE, 1/4NPTX2.5LG.....135
 NON-STEER AXLE ASSEMBLY.....133
 NON-STEER AXLE ASSEMBLY**.....126

Part Description Index (continued)

Note: For half mesh components refer to 902.1.....283	O-RING, RIBBED, MSG425.....203	PIN,CLEVIS,1 X 2.25 LG.....221
NUT.....149-150	O-RING, ROTATOR MANIFOLD.....173	PIN,CLEVIS,1 X 2.5 LG.....117-119, 121-123, 217-218
NUT - PLASTIC,RING FOR ALARMS.....137, 244, 277	O-RING, SMOOTH, MSG425.....203	PIN,CLEVIS,1.25 X 5.0,ZINC.....323
NUT HEX M5-0.8 CLASS 8 ZINC.....247-248	O-RING,.070 X .239,VITON 75D.....118-119, 122-123, 126	PIN,CLEVIS,1.25 X 6.0,ZINC.....323
NUT, EXH. MANIFOLD, MSG425.....205	O-RING,.103 X 4.737,VITON, 75D.....117-119, 122-123, 126	PIN,COTTER,.156 X 1.75.....221, 237, 239
NUT, FLANGE, 3/4-16 UNF GR8.....131, 133	O-RING,2-010,VITON.....126	PIN,GROOVE/HOLE,1.50 DIAX4.375.....118-119, 123
NUT,BULKHEAD,520118-4.....258	O-RING,2-042 N674-70***.....175	PIN,STORAGE,TOW PACKAGE.....323
NUT,HEX,1/4-28.....129	O-RING,DIPSTICK,MSG425.....203	PINCH GUARD RAIL,6' PLATFORM.....279
NUT,HEX,10-24.....182	O-RING,END COVER,OMNI***.....118-119, 122-123, 125-126	PINCH GUARD RAIL,8' PLATFORM**.....279
NUT,HEX,5/16-18,GR5.....303-304	O-RING,FILTER ASSY (60334)***.....146	PIPE CRADLE ASSY. SERV (ONE)**.....279
NUT,HEX,FLANGE 5/8-18,GRD 8 ZI.....126	O-RING,MIXER,RIBBED,DSG-423.....189	PIPE CRADLE SET, SERV.....279
NUT,HEX,JAM,3/4-10.....145-146	O-RING,MIXER,SMOOTHED,DSG-423.....189	PIPE PLUG KIT,OMNI***.....118-119, 122-123, 125-126
NUT,HEX,JAM,3/8-24.....161	O-RING,MOTOR/BRAKE***.....145-146	PIPE,COOLANT RETURN, MSG425.....205
NUT,HEX,JAM,3/8-24, LEFT HAND.....161	O-RING,PIPE PLUG KIT,OMNI***.....118-119, 122-123, 125-126	PIPE,COOLANT RETURN,FORD 2.3L.....193
NUT,HEX,M8,PLASTIC.....311, 313	O-RING,SEAL RING,1" NPT.....303-304	PLAT ASSY,TRI ENT,8'.....283
NUT,LOCKING-LG.FLANGE,1/4-20.....207	O-RING,STEM,EATON.....175	PLAT ASSY,TRI ENT,S60/65,6'.....283
NUT,LOCKING-LG.FLANGE,5/16-18.....137, 191, 193, 195, 207	OIL COOLER W/FAN, 12VDC.....287	PLAT BOX LID W/SYM DEC,S60/65.....247-248
NUT,LOCKING-LRG.FLANGE,3/8-16.....195, 209-210	OIL DRAIN PLUG,FORD DSG423.....191	PLAT BOX LID W/SYM DEC,S60TX.....247-248
NUT,LP NYLOCK,1/4-20...237, 239, 247-248, 279, 283, 295, 297, 313, 315	OIL FILTER - PERKINS.....185-186	PLAT BOX LID W/SYM DEC,S60X.....247-248
NUT,LP NYLOCK,10-32.....291-292	OIL FILTER, MSG425.....203	PLAT BOX LID W/SYM DEC,S60XC.....247-248
NUT,LP NYLOCK,3/8-16.....186, 241, 315	OIL FILTER,DSG-423.....189	PLAT BOX LID W/WRD DEC,S60/65.....247-248
NUT,LP NYLOCK,3/8-24.....161	OIL PAN HEATER,DEUTZ,120V,150W.....289	PLAT BOX LID W/WRD DEC,S60/65.....247-248
NUT,LP NYLOCK,5/16-18.....203	OIL,ENG 5W-40 SYN***.....289	PLAT BOX LID W/WRD DEC,S60HC.....247-248
NUT,NYLOCK,1-8.....137, 159, 227, 233	OPT,COSM DECAL,NES S105.....69	PLAT BOX LID W/WRD DEC,S60TX.....247-248
NUT,NYLOCK,1-8,GR8.....229, 231	OPTION,GLAZIER PACKAGE,ANSI.....315	PLAT BOX LID W/WRD DEC,S60TX.....247-248
NUT,NYLOCK,1/2-13.....145-146, 181-182, 193, 195, 209-210, 213-214, 221, 304, 319	OPTION,ROCKER STEER.....247-248	PLAT BOX LID W/WRD DEC,S60X.....247-248
NUT,NYLOCK,1/4-20.....129, 137, 139-140, 143, 145-146, 159, 185-186, 191, 193, 209-210, 217-218, 221, 223, 227, 233, 235, 237, 239, 241, 287, 295, 299, 303-304, 311, 313, 321	ORFICE, 0.040".....171	PLAT BOX LID W/WRD DEC,S60XC.....247-248
NUT,NYLOCK,10-24.....129, 197-198, 233	ORIFICE DISC,.030,CONE.....303-304	PLATE BACKING, WIPER 1 TO 2.....295
NUT,NYLOCK,10-32.....137, 143, 153, 161, 235, 247-248, 277	ORIFICE PLUG .025 DIA.....179	PLATE BACKING, WIPER 2 TO 3.....295
NUT,NYLOCK,3/4-10.....217-218, 221	ORIFICE PLUG, 0.070".....167	PLATE, COVER, FUEL LEVEL SNDR.....139-140
NUT,NYLOCK,3/8-16.....118-119, 123, 137, 139-140, 145-146, 161, 186, 193, 195, 197-198, 201, 207, 209-210, 223, 225, 227, 229, 231, 233, 237, 239, 241, 281, 297, 307, 311, 313, 317, 321	ORIFICE,0.025".....177	PLATE, HAMMER SHIM 1/2.....131
NUT,NYLOCK,5/16-18.....143, 181-182, 186, 201, 209-210, 223, 241, 307, 319	ORIFICE,0.040".....169	PLATE, INT. MFLD ADAP, MSG425.....205
NUT,NYLOCK,5/8-11.....197-198, 201	OUTLET,110V GFCI***.....281	PLATE, INT. SHRD SEAL, MSG425.....209-210
NUT,NYLOCK,6-32.....153, 247-248		PLATE,ANTIROTATION.....217-218
NUT,NYLOCK,7/16-14.....214		PLATE,BACKING BELLOW.....299
NUT,NYLOCK,8-32.....153, 223		PLATE,BACKLASH ADJUSTMENT MACH.....145-146
NUT,NYLOCK,M6X1.00.....186		PLATE,BLANKING,FORD DSG423.....191
NUT,NYLOCK,M8X1.25.....195, 209-210		PLATE,BOTTOM BLOCK RH PAINTED.....221
NUT,SOLENOID.....177, 179, 303-304		PLATE,CHASSIS ATTACHMENT.....323
NUT,SOLENOID VALVE.....163-164		PLATE,ENGINE SUPPORT SPACER.....209-210
NUT,SOLENOID,2POS 3WAY.....163-164		PLATE,FRONT LIFTING EYE.....195
NUT,STEM,EATON***.....175		PLATE,HINGE SUPPORT.....143
NUT,WING,1/4-20.....137		PLATE,JIB,ROTATE MANIFOLD.....241
NUT-COIL SHORT.....173		PLATE,PLATFORM DECALS***.....241
NUT-FLANGE, 8MM (62849).....185-186		PLATE,REAR ENGINE SUPPORT.....193
NUTSERT,1/4-20,STEEL CAD PLTD.....153, 247-248		PLATE,REAR LIFTING EYE.....193
NUTSERT,10-32 STEEL CAD PLTD.....299		PLATE,REINFORCED CLAMP STACK.....237
NUTSERT,LP KNURLED,1/4-20X.165.....149-150		PLATE,RETRACTION CABLE EQUALIZ.....221
		PLATE,ROCKER.....217-218
		PLATE,SWIVEL ROTATION STOP.....145-146
		PLATE,TAP BLOCK.....221
		PLATE,UK,POWER TO PLAT.....281
		PLATFORM CONTROL BOX W/DECAL.....247-248
		PLATFORM CONTROL BOX,PAINTED.....247-248
		P L A T F O R M S U P P O R T
		WELDMNT-SERV*.....227, 233
		PLUG, OIL DRAIN, MSG425.....205

P

- PLUG, SANTOPRENE .5 BLACK DOME.....149-150, 243-244
 PLUG,090109A-4.....263, 265
 PLUG,1/2" HUBBLE.....303-304
 PLUG,4-WIRE,3-PHASE,50A.....307
 PLUG,DRAIN,RR TRANS.DRIVE HUBS...118-119, 122-123
 PLUG,ELECTRICAL,220/50,NOVON.....281
 PLUG,FUSED,250V,13AMP,U.K.**.....281
 PLUG,HEX SOCKET,090109B-12.....271
 PLUG,HEX SOCKET,090109B-4.....146
 PLUG,HEX,090109A-8***.....263
 PLUG,NYLON .38 BLACK DOMED.....149-150
 PLUG,NYLON .875 BLACK DOMED.....247-248
 PLUG,NYLON 1.187 BLACK DOMED.....279
 PLUG,PWR,UK,16AMP,3PIN,BLK.....281
 PLUG,STEEL SOCKET,SAE090109B-6.....146
 Plugs were added to the harnesses on SN 24976.....291-292
 POSITION TRANSDUCER,LINEAR,2CH.....235
 POWER UNIT,AUX PUMP 12VDC.....139-140
 PRECLEANER,AIR INTAKE***.....301
 PROXIMITY SENSOR***.....311
 PULLEY AND TENSIONER,DSG423.....191
 PULLEY,UPPER IDLER.....189, 195
 PULLEY/TENSIONER,MSG425.....205
 PUMP ASSY,AUX.POWER UNIT 89617...139-140
 PUMP MOUNT,FORD DSG423.....193, 207
 PUMP,FUEL,LRG425,WALBRO.....139-140
 PUMP,FUEL 2011 DEUTZ ***.....197-198
 PUMP,FUEL F3L 2011F DEUTZ.....182
 PUMP,FUEL INJ, DEUTZ BF4L20.....201
 PUMP,FUEL INJ,DEUTZ BF4L20.....201
 PUMP,LIFT,1 SECTION.....175
 PUMP,LIFT,2 SECTION***.....175
 PUMP,PISTON,49CC***.....175
 PUMP,PRIMER,PERKINS***.....185-186
- R**
- RADIATOR,FORD DSG423.....195, 209-210
 RADIATOR,FORD/PERKINS***.....186
 RECEPTACLE, 120VAC, 20A, GFCI.....303-304
 RECEPTACLE,UK,110V.....281
 RECEPTCL,LOCK 3-PH,50A,4 WIRE.....307
 REDUCER,3" TO 2.75".....197-198
 REDUCER,520123-16-12.....271
 REDUCER,520123-8-4.....253-254, 273, 275
 REF. WHEEL AND TIRE ASSEMBLY.....125-126
 REF: Base Bracket.....315
 REF: Brake and 2 Speed Manifold.....145-146
 Ref: Engine Tray with Bearing.....201
 REF: Foot Switch Assembly.....155-156
 Ref: Harness, Power to Platform.....281
 Ref: Jib Manifold.....241
 Ref: Platform Support.....241
 Ref: Pumps.....197-198
 REGULATOR, LP,MSG425.....209-210
 REGULATOR,LP PRESSURE,MSG425.....203
 REGULATOR,LPG,DSG-423.....195
 RELAY MODULE(89996,89998).....198
 RELAY,12VDC,70AMP,SEALED.....153, 289
 RELAY,OMRON,DPDT,12V.....153
 RELAY,PWR/FUEL,FORD DSG423.....189, 203
 RELAY,SOCKET,OMRON.....153
 RELAY,SPDT,12V(AUTO) PLUG IN**.....153
- RELAY,STARTER,FORD DSG423.....189, 203
 RELAY,TIME DELAY,2 SEC,10A.....153
 RELAY,TIME DELAY,2 SEC,30A.....247-248
 RELIEF,VALVE 270 PSI.....303-304
 RESISTOR ASSY, LINCOLN WELDER.....153
 RESISTOR,10 OHM,25 WATT.....153, 248
 RESISTOR,5 OHM,25W***.....153
 RESISTOR,7.5 OHM,25 WATT,1PCNT.....153
 RETAINER,GAS SPRING***.....143
 RETAINER,SPRING,1.21 X .375.....233
 RETAINER-N.C.PROPOR.SOLENOID.....163-164
 RING,RETAINING***.....118-119, 122-123, 125-126
 RING,RETAINING,INTERNAL...118-119, 122-123, 125-126
 RIVET,ALUM,ALUM,3/16BUTTONHEAD....279
 RIVET,ALUM,ALUM,P,25X.375.....297
 RIVET,ALUM,P,188 X .25.....237, 239
 RIVET,ALUM,P,25X.625.....297
 ROCKER ASSY,MAGNETIC 75565.....251
 ROCKER,RETAINER, 75565.....251
 ROD END,.250 X 2.75 LG.....229, 233
 ROD END,.375 X 2.25***.....119, 123, 213-214
 ROD END,.375 X 3.69.....118-119, 123, 145-146, 225, 227, 229, 231
 ROD END,.50 X 4.....118-119, 123, 125-126, 213-214
 ROD END,BALL JOINT 1/4-28.....129
 ROD END,CABLE.....217-218, 221
 ROD,DISCONNECT,OMNI***.....118-119, 122-123, 125-126
 ROLLER ARM,LIMIT SWITCH***.....213-214, 217-218
 ROLLER,1/2" ALUMINUM.....221
 ROLLER,1/2" PVC.....221
 ROLLER,ALUM TUBE,ST.TRK***.....237
 ROLLER,POLY,STEEL TRACK***.....237
 ROTATIONAL LIMITER FRONT LEFT.....131, 135
 ROTATIONAL LIMITER FRONT RIGHT....131, 135
 ROTATIONAL LIMITER REAR.....135
 ROTATOR MOUNT KIT.....233
 ROTATOR,HELICAL,PLAT***.....225
 ROTATOR,PLAT JIB,160 DEG***.....227
 ROTATOR,PLATFORM,15K.....229, 231
 RUE RING 1.00.....117-119, 121-123
- S**
- S60 TOW PACKAGE.....323
 SCREW PH M5-0.8X20 DIN 7500CE.....243-244, 247-248
 SCREW T-SWITCH PH/PH 6-32X1/4.....243-244
 SCREW, FHSC, 1/2-13X1.00.....135
 SCREW, GEN ROTOR.....319
 SCREW, HHC, M10 X 1.5 X 50.....207
 SCREW, HHC, M8 X 1.25 X 12.....186
 SCREW, PHM, #6-32 X .625 ZINC.....251
 SCREW,10-24 X.5 TORX PAN HD***.....237, 239
 SCREW,10-32 X.625,SF.TAPPHIL.....137
 SCREW,5/16-18X1.00,SECURITY TO.....307
 SCREW,BHHS,3/8-16 X 1.....217-218
 SCREW,BHHS,3/8-16 X 1.25.....221
 SCREW,BHSC,1/4-20 X 1.....313
 SCREW,BLEEDER,M5X0.8.....225, 227
 SCREW,FHM,6-32 X .75.....281
 SCREW,FHS,3/8-16 X 2 GRD.8.....145-146
 SCREW,FLANGE,HHC,5/8-11X2,GR8.....135
 SCREW,HHC,1-8 X 11,GRD 5***.....137, 159, 227, 233
 SCREW,HHC,1-8 X 12.75.....229, 231
 SCREW,HHC,1/2-13 X 1.25 GR5.....137, 161, 182, 193, 207, 214
 SCREW,HHC,1/2-13 X 1.5.....118-119, 123, 175, 197-198, 213-214, 317
 SCREW,HHC,1/2-13 X 1.5 GRD 8.....221
 SCREW,HHC,1/2-13 X 1.75.....209-210, 309
 SCREW,HHC,1/2-13 X 1.75 GRD 8....145-146
 SCREW,HHC,1/2-13 X 2 GR5.....145-146, 193
 SCREW,HHC,1/2-13 X 2.5,GR5.....304, 319
 SCREW,HHC,1/2-13 X 2.75.....129, 209-210
 SCREW,HHC,1/2-13 X 3.....181-182, 185-186, 195
 SCREW,HHC,1/2-13 X 4.5,GRD.8.....213-214
 SCREW,HHC,1/2-13X1.25,GR8,Y.....229, 231
 SCREW,HHC,1/4-20 X .5.....117-119, 121-123, 153, 207
 SCREW,HHC,1/4-20 X .625.....315
 SCREW,HHC,1/4-20 X .75.....126, 137, 140, 143, 146, 149-150, 191, 207, 214, 218, 221, 227, 235, 237, 239, 241, 247-248, 279, 283, 311, 313
 SCREW,HHC,1/4-20 X 1.....137, 139-140, 143, 145-146, 185-186, 193, 207, 217-218, 233, 235, 241, 287, 295, 299, 303-304, 311, 313, 321
 SCREW,HHC,1/4-20 X 1.25.....139-140, 186, 227, 297
 SCREW,HHC,1/4-20 X 1.5.....195, 209-210, 223, 279, 317
 SCREW,HHC,1/4-20 X 1.75.....214, 287
 SCREW,HHC,1/4-20 X 2.....140, 221, 279
 SCREW,HHC,1/4-20 X 2.25.....129, 217-218, 237, 239
 SCREW,HHC,1/4-20 X 2.5.....237, 239
 SCREW,HHC,1/4-20 X 2.75.....214
 SCREW,HHC,1/4-20 X 3.....239
 SCREW,HHC,1/4-20 X 4.5.....159
 SCREW,HHC,1/4-20X1.75,8,ZAG.....323
 SCREW,HHC,3/4-10 X 1.5.....131
 SCREW,HHC,3/4-10 X 4 FULL THRD.....145-146
 SCREW,HHC,3/8-16 X .625.....207
 SCREW,HHC,3/8-16 X .75.....118-119, 123, 145-146, 209-210, 227
 SCREW,HHC,3/8-16 X 1.....119, 123, 125-126, 137, 139-140, 161, 181-182, 185-186, 197-198, 213-214, 217-218, 221, 225, 227, 229, 297
 SCREW,HHC,3/8-16 X 1 GRD 8.....227, 233
 SCREW,HHC,3/8-16 X 1.25 GRD 5..137, 139-140, 201, 209-210, 217-218, 221, 223, 235, 237, 239, 241, 281, 301
 SCREW,HHC,3/8-16 X 1.5,GR5.....145-146, 195, 229, 231
 SCREW,HHC,3/8-16 X 1.75,GRD.8...209-210, 223
 SCREW,HHC,3/8-16 X 2...118-119, 123, 139-140, 295
 SCREW,HHC,3/8-16 X 2.5.....297, 317, 321
 SCREW,HHC,3/8-16 X 2.75.....193, 207
 SCREW,HHC,3/8-16 X 3.....118-119, 123
 SCREW,HHC,3/8-16 X 3.25.....233
 SCREW,HHC,3/8-16 X 3.5,GR5.....221
 SCREW,HHC,3/8-16 X 7.....237, 239

Part Description Index (continued)

SCREW,HHC,5/16-18 X .75.....303-304, 317	SEAL KIT (39345).....173	SENSOR, CYL. HEAD TEMP, MSG425.....203
SCREW,HHC,5/16-18 X 1 GR5.....181-182, 186, 191, 201, 207, 241, 303-304, 319	SEAL KIT (63566).....225	SENSOR, FORD TEMPERATURE.....189
SCREW,HHC,5/16-18 X 1.25.....191, 193, 207, 209-210, 241, 303-304, 319	SEAL KIT (88571).....217-218	SENSOR, KNOCK, MSG425.....203
SCREW,HHC,5/8-11 X 1.5 GRD.8.....131	SEAL KIT (88653).....161, 213-214	SENSOR, O ₂ , MSG425.....207
SCREW,HHC,5/8-11 X 2.25 GR8.....118-119, 123, 125-126, 145-146	SEAL KIT (88668).....213-214	SENSOR,AIR,CAT MONITOR.....193, 207
SCREW,HHC,5/8-11 X 3.5 GRD.8.....197-198, 201	SEAL KIT (89675).....118-119, 123	SENSOR,CAM POSITION DSG-423.....189
SCREW,HHC,5/8-11 X 4.00 GR8 BO.....126, 145-146	SEAL KIT CYLINDER (59460)..117-119, 121-123, 131	SENSOR,CRANK POSITION DSG-423.....191
SCREW,HHC,7/16-14 X 1.25.....126	SEAL KIT, 15K ROTATOR.....229, 231	SENSOR,DUAL OUTPUT,ANGLE.....156, 161, 214
SCREW,HHC,7/16-14 X 1.75.....214	SEAL KIT, APU.....139-140	SENSOR,KNOCK DSG-423 FORD.....189
SCREW,HHC,M10 X 1.5 X70,GR 8.8.....182, 197-198	SEAL KIT, DRIVE HUB.....123, 126	SENSOR,LEVEL,4.5 DEG.....139-140
SCREW,HHC,M10 X 30MM,.....182, 209-210, 309	SEAL KIT, HYD MOTOR, GEN.....319	SENSOR,OXYGEN LRG425EFI.....193
SCREW,HHC,M10 X 40MM,GRD8.....193	SEAL KIT, PROPORTIONAL VALVE.....164	SEPARATOR,DUAL BATTERY,100A.....137
SCREW,HHC,M10 X 55MM,GRD 8.8.....195, 209-210	SEAL KIT, SOLENOID VALVE.....163-164	SEPRTR/FLTR,FUEL DSL,15GPH,.30.....186
SCREW,HHC,M12 X 30.....209-210	SEAL KIT, VALVE.....163-164, 167, 171	SHAFT SEAL, APU.....139-140
SCREW,HHC,M12 X 45.....186	SEAL KIT, VALVE, #10.....163-164, 167	SHAFT, KNURLED (128918).....135
SCREW,HHC,M14 X 1.5X40MM,GR8.8.....185-186	SEAL KIT, VALVE, #4.....163-164	SHAFT, RAISED BOSS (128918).....135
SCREW,HHC,M14 X 40MM,GR 8.8..181-182, 197-198, 201	SEAL KIT,15K ROTATOR.....229, 231	SHAFT,15 TOOTH.....117-119, 122-123, 126
SCREW,HHC,M6 X 20MM,GR8.8.....197-198	SEAL KIT,8-PORT SWIVEL.....145-146	SHAFT,INPUT DRIVE HUB.....126
SCREW,HHC,M8 X 16.....193, 207	SEAL KIT,8K ROTATOR***.....225, 227	SHAFT,INPUT DRIVE HUB (88887).....118-119, 122-123, 125-126
SCREW,HHC,M8 X 20MM.....185-186	SEAL KIT,BRAKE,OMNI***.....118-119, 122-123, 125-126	SHCS, M10-1.5X70MM, CL12.9.....207
SCREW,HHC,M8 X 40.....195	SEAL KIT,CHECK VALVE 219246.....179	SHEAVE,EXTENSION CABLE(LARGER)...221
SCREW,HHC,M8 X 60MM X 1.25.....191, 205	SEAL KIT,CONTROL VALVE.....129	SHEAVE,RETRACT CABLE(SMALLER)...217-218
SCREW,HHC,M8X1.25X 25MM,GR8.8.....195	SEAL KIT,CYL,S45 MASTER(81694).....213-214	SHEET,RUBBER,AIR INTAKE.....181-182
SCREW,PHIL,10-24 X .75.....241	SEAL KIT,CYL,S65 (63213).....227	SHIM,PAD,5 X 3.....217-218
SCREW,PHIL,8-32X.50,SELF TAP.....281	SEAL KIT,DRIVE HUB (88887).....122-123, 125-126	SHIM,SIDE PAD 16GA. 3 X 5.....217-218, 221
SCREW,PHIL,PHM,10-24 X.5,SEMS.....185-186, 195, 209-210	SEAL KIT,DRIVE HUB (88887)***.....118-119, 125-126	SHIM,WEAR PAD,5 X 1.5,14GA.....221
SCREW,PHIL,PHM,10-24X1.5 ZINC.....233	SEAL KIT,GEARBOX,OMNI***.....118-119, 122-123, 125-126	SHIM,WEAR PAD,5X 1.5 16GA.....221
SCREW,PHIL,PHM,10-32 X .5,SSTL.....153, 191, 247-248	SEAL KIT,HYD MOTOR(106184).....303-304	SHOCK MOUNT,SMALL.....186, 195, 209-210
SCREW,PHIL,PHM,6-32 X 1/4 SS.....247-248	SEAL KIT,MOTOR,LC/KC***.....117-119, 122-123, 126	SHORT LINK W/BEARINGS, SERVICE.....214
SCREW,PHILLIPS,FHM,10-32X1.00.....299	SEAL KIT,PUMP SHAFT (EATON)***.....175	SHRINK TUBE,BLACK,RHW,1/2,3:1.....291-292
SCREW,PHILLIPS,PHM,10-32 X .5.....247-248	SEAL KIT,SOLENOID VALVE 219247.....179	SHROUD,FAN PAINTED.....185-186
SCREW,PHILLIPS,PHM,10-32 X .75.....143	SEAL KIT,SOLENOID VALVE, SV07.....173	SHUTDOWN SOLENOID,12V, DEUTZ.....181-182, 197-198
SCREW,PHILLIPS,PHM,10-32 X 1.....214, 291-292	SEAL KIT,SUNSTRAND.....303-304	SLEEVE,CONNECTOR,DT JOYSTICKS....251
SCREW,PHILLIPS,PHM,10-32 X.625.....235	SEAL KIT,SWING BRAKE***.....145-146	SLEEVE,NYLON,1.42 ID.....257-258
SCREW,PHILLIPS,PHM,6-32 X .5.....153, 247-248	SEAL KIT,SWING TORQ HUB***.....145-146	SLEEVE,NYLON,2.19 ID,BULK.....155-156, 257-258
SCREW,PHILLIPS,PHM,8-32 X 1.00.....223	SEAL, BEARING (128918).....135	SLIDING MIDRAIL KIT,PTD.....241
SCREW,PHILLIPS,PHM,8-32 X.25**.....153	SEAL, CAP, NOTCHED.....145-146	SNAP PIN.....279
SCREW,RHM,10-32 X 1.....277	SEAL, CONNECTOR (DT JOYSTICKS).....251	SNAP RING.....135
SCREW,RHM,10-32 X 1.25.....161	SEAL, O-RING ENERGIZER.....145-146	SNAP RING(M46 UNITS)*.....118-119, 122-123, 126
SCREW,SECURITY,1/4-20 X 1.75LG.....307	SEAL, O-RING LIP.....145-146	SNAP RING,EXTERNAL,.75 DIA.....229
SCREW,SHC,3/4-10 X 3.00,A574.....145-146	SEAL, OIL FILLER CAP.....186	SNAP RING,EXTERNAL,1.25 DIA.**.....225
SCREW,SHC,3/8 X 1.75 SHOULDER.....223	SEAL, POLY, CHAMFER.....145-146	SNAP RING,EXTERNAL,1.5 DIA***.119, 123, 217-218, 221
SCREW,SHC,3/8-16 X 1.....175	SEAL, FILTER ASSY (60334)***.....146	SNAP RING,EXTERNAL,2.00 DIA.....213-214
SCREW,SHC,5/16-18 X 2,PLATED.....145-146	SEAL, LIP.....123, 126	SNAP RING,EXTERNAL,2.25 DIA.....214
SCREW,SHC,M10X1.5 X 60 GR8.8.....207	SEAL,SHAFT,EATON PUMP***.....175	SNAP RING,PUMP SHAFT SEAL***.....175
SCREW,SHC,M10X1.5X20MM (75090).....201	SEAL,SHAFT-SUNSTRAND***.....118-119, 122-123, 126	SOFTWARE,S60HC,DIAGNOSTIC,+1.....155-156
SCREW,SHC,M10X1.5X30 GR 12.9.....197-198, 207	SEAL,TRAX HUBS.....131, 133, 135	SOFTWARE,S60HC,SCON,+1.....155-156
SCREW,SHM,PHP, #12 X .75.....153, 247-248	SEAL-INJECTOR.....185-186	SOFTWARE,S60HC,TCON,+1.....155-156
SCREW,SHS,1/4-20 X .375 ZINC.....149-150	SEAL-ROCKER BOX.....185-186	SOLENOID CABLE ASSY***.....181-182, 197-198
SCREW,SHS,10-24 X .625.....129, 182, 197-198	SEAL-VALVE SYSTEM (A).....185-186	SOLENOID KIT,SHUT DN,PERKINS.....185-186
SCREW,SHS,M6X12MM,8MM.....186	SEAL-VALVE SYSTEM (B).....185-186	SOLENOID, VAR. TIM, MSG425.....203
SCREW,STEP BOLT,1/4-20 X .75.....241	SENDING UNIT,OIL PRESS.,DEUTZ*.....197-198	SOLENOID,77066.....139-140
SEAL KIT.....169, 173, 177, 303-304	SENDING UNIT,OIL PRESSURE***.....285	SOLENOID,THROTTLE ACTUATOR DSL.....181-182, 185-186, 197-198
	SENDING UNIT,OIL TEMP SWCH,DTZ.....182, 197-198	SOLENOID-STARTR DEUTZF4L1011F*.....201
	SENDING UNIT,TMP,FRD,GM,PRK704.....285	SPACER.....131, 133
	SENSOR KIT, TEMPERATURE.....189	SPACER, BOOM TOP.....295
	SENSOR, CAM POS, MSG425.....203	SPACER, DUAL COIL.....163-164
	SENSOR, CRANK POS, MSG425.....205	

- SPACER,EATON PUMP SHAFT SEAL**.....175
 SPACER,ENGINE MOUNT.....195
 SPARK PLUG, FORD DSG-423.....189
 SPARK PLUG, MSG425.....203
 SPIDER (106113).....303-304
 SPLIT BOGEY.....135
 SPRING CLIP, 5/16-18.....209-210
 SPRING CLIP,1/4-20,.025-.15X.5.....117-119,
 121-123, 126, 137, 195, 207, 209-210, 218,
 227, 235, 241, 295, 297
 SPRING CLIP,10-24,ZINC.....241
 SPRING CLIP,3/8-16.....137
 SPRING, SS, 1/2-EO500-49-4500.....311, 313
 SPRING, SS, 3/4-EO750-69-4500.....311, 313
 SPRING,0.984"OD X 1.50"LG.....223
 SPRING,COMP,1" OD,232 LB/IN.....233
 SPRING,JOYSTK CENTR,62390/91.....251
 SPRING,SWITCH CENTERING,75565.....251
 SPROCKET, MACH. HALF LEFT.....135
 SPROCKET, MACH. HALF RIGHT.....135
 SQUEEZE CONN W/NUT, 2WIRE, 4MM..291-
 292
 STANDOFF,6-32 X 3/8L X 1/4 HEX.....248
 STARTER PLUG SEAL, MSG425.....203
 STARTER, 12V.....181-182, 201
 STARTER, PERKINS, 404D.....185-186
 STARTER,DSG-423.....189
 STARTER,HD,FORD MSG425.....203
 STEER AXLE ASSEMBLY.....131
 STEP PLATFORM ENTRY PAINTED.....283
 STEP PLATFORM ENTRY***.....241
 STOP PLATFORM ROLLER.....237, 239
 STRAINER,16 SAE F/24 SAE M.....254
 STRAINER,20 SAE F/24 SAE M.....253-254
 STROBE,FIREBOLT,12-80VDC,AMB**.....277
 STUD, 3/4-16 UNF X 2-1/2 LG.....131, 133
 SUPPORT, RAILING.....279, 313
 SUPPORT,SENSOR,JOYSTICK.....251
 SVC KIT,UK RECEPT.REPLACEMENT.....281
 SWING DRIVE ASSEMBLY.....145-146
 SWING MOTOR COMPLETE***.....145-146
 SWITCH SHIELD,ROCK JOYSTK75565.....251
 SWITCH TOGGLE ASSY DPDT 2P
 MOM.....149-150, 243-244
 SWITCH TOGGLE ASSY DPDT 3P
 MOM.....149-150, 244
 SWITCH TOGGLE ASSY SPDT 2P
 MNT.....149-150, 243-244, 248, 319
 SWITCH TOGGLE ASSY SPDT 2P
 MOM.....311, 313
 SWITCH TOGGLE ASSY SPDT 3P
 MOM.....149-150, 243-244
 SWITCH TOGGLE DPDT 2P MOM
 SHDR.....243-244
 SWITCH TOGGLE DPDT 3P MOM
 SHDR.....244
 SWITCH TOGGLE SPDT 2P MNT
 SHDR.....243-244
 SWITCH TOGGLE SPDT 3P MOM
 SHDR.....243-244
 SWITCH, OIL PRES, MSG425.....203
 SWITCH, OIL PRESSURE.....185-186
 SWITCH, OIL PRESSURE 1.5 BAR.....182
 SWITCH,LIMIT,W/RLLR ARM,NO/NC.....145-
 146, 217-218
 SWITCH,LIMIT,W/RLR ARM,NO/NC.....213-
 214
 SWITCH,OIL PRESS-PERKINS 404...185-186
 SWITCH,OIL PRESSURE.....189
 SWITCH,PRESS,#4NPT,200PSIF.....303-304
 SWITCH,SELECTOR,BLACK.....149-150
 SWITCH,THERMOSTAT 85F OPEN.....248
 SWITCH,TOGGLE,DPDT,2POS MOMEN...159
 SWITCH,WATER TEMP,PRKNS,404***.....185-
 186
 SWIVEL,HYD 8 PORT***.....145-146
- T**
- T-BOX,2.75 X 4.5 X 2.0.....281
 T-BOX,2.75X4.5X2.63,3PH.....307
 TAILPIPE MOUNT , S40 MSG425.....207
 TAILPIPE, S60 MSG425.....207
 TAILPIPE,DEUTZ BF4L2011.....197-198
 TAILPIPE,FORD DSG423.....193
 TAILPIPE,MUFFLER,2.00"DIA.....186
 TANK ASSY, GAS, 30 GAL., SERV.....139-140
 TANK ASSY,GAS,30 GAL,PLASTIC.....139-140
 TANK,FUEL 35 GAL PLASTIC,S60.....139-140
 TAPE, PROTECTIVE MASK.....19, 27, 35, 43,
 51, 59, 67, 75, 83, 91, 99, 107, 115
 TEE,BRANCH,520429-8.....253-254, 261
 TEE,RUN,1/4" PIPE.....285
 TEE,RUN,520428-12.....273, 275
 TEE,RUN,520428-6.....261, 263
 TEE,RUN,520428-8.....267
 TEE,RUN,SWIVEL,520432-16.....271
 TEE,RUN,SWIVEL,520432-6.....323
 TENSIONER, TRAX.....135
 TERM,GOLD PIN,18-16GA REEL.....161
 TERM,NI PIN,S&F,16-18GA,BULK.....317
 TERM,NI PIN,S&F,16-18GA,REEL.....217-218
 TERM,NI SOC,14-16GA,BULK.....213-214
 TERMINAL BLOCK, END PLATE.....153
 TERMINAL BLOCK, WIELAND.....153
 TERMINAL,#10 RING,BLUE.....291-292
 TERMINAL,RING,#10 YELLOW.....292
 TERMINAL,STRIP,4-POLE,600V***.....291-292
 TERMINAL,STUD BOLT,250 V.....303-304
 THERMOSTAT.....186
 THERMOSTAT (PERKINS 104-22).....185-186
 THERMOSTAT W/HOUSING, MSG425.....203
 THERMOSTAT,FORD DSG423.....189
 THREADED ROD,1/4-28 X 4 IN***.....129
 THROTTLE LINKAGE, DSL.....197-198
 THROTTLE LINKAGE,DIESEL***.....181-182
 THROTTLE,ELECT,FORD DSG423.....189, 203
 TIE ROD WELDMENT,S60.....117-119, 121-
 123
 TIRE & WHEEL ASSY RH,FF...117-119, 121-
 123
 TIRE & WHEEL ASSY,AIR,LH...117-119, 121-
 123
 TIRE & WHEEL ASSY,AIR,RH***.....117-119,
 121-123
 TIRE & WHEEL ASSY,LH FF***.....117-119,
 121-123
 TIRE & WHEEL ASSY,LH,FOAM,NM.....117-
 119, 121-123
 TIRE & WHEEL ASSY,R35 FOAM,LH.....122-
 123
 TIRE & WHEEL ASSY,R35 FOAM,RH.....122-
 123
 TIRE & WHEEL ASSY,RH,FOAM,NM.....117-
 119, 121-123
 TIRE & WHEEL ASSY,TURF SPEC***.....117-
 119, 121-123
 TIRE, NM RT,355/55D625.....121-123
 TIRE, RT,355/55D625.....121-123
- U**
- U-BOLT, SQR, 3/8-16X2X5, PLTD.....311, 313
 U-BOLT,1/2-13 X 8.5.....198
 U-BOLT,3/8-16X4X4.63X3.00.....307, 311, 313
 UBOLT,FLATTENED,1.5DIA X 3/8 UNC.....241,
 307, 315, 321
 UNION,STR.THREAD 20.....254
 UPPER IDLER PULLEY, MSG425.....205
- V**
- V-BELT GUARD, DEUTZ 2011.....201
 V-BELT, DEUTZ TD2011LOAI.....197-198
 VACUATOR VALVE.....193, 207
 VALVE - COUNTERBALANCE**.....173
 VALVE - SOLENOID 2POSITION 3WA.....163-
 164
 VALVE FLOW DIVIDER/COMBINER.....169
 VALVE, CHECK.....171, 179
 VALVE, CHECK, 5PSI.....171
 VALVE, FLOW DIVIDE/COMB,24GPM.....171
 VALVE, FLOW DIVIDE/COMBINE 1:1.....171
 VALVE, RELIEF, 280PSI.....171
 VALVE, RELIEF, GEN, 3.0kW.....319
 VALVE, SHUTTLE, FIXED.....171
 VALVE, SOLENOID.....179
 VALVE,BALL,16 MSAE-16 FSAE***.....254
 VALVE,BALL,FSAE-20,FSAE-20.....254
 VALVE,CB 3:1 3500 PSI.....163-164
 VALVE,CB,CBCA-LHN@1500PSI.....217-218
 VALVE,CHECK.....177
 VALVE,CHECK***.....163-164
 VALVE,CHECK, 2.5 PSI.....169
 VALVE,CHECK, 30 PSI.....163-164
 VALVE,CHECK,3 PSI***.....169, 303-304
 VALVE,CHECK,30 PSI.....118-119, 122-123,
 126
 VALVE,CHECK,5 PSI.....164, 167
 VALVE,CNTRBAL 3500PSI,ATM VEN.....225

Part Description Index (continued)

VALVE,COUNTERBAL,CBCA-LIN***.....145-146	WASHER,FLAT,M10,ZINC PLTD.....182, 193, 195, 197-198, 207, 209-210	WEAR PAD,3 X 1.5 X.625 W/NUTS.....227
VALVE,COUNTERBAL,CWCK-LHN@3500.161, 213-214	WASHER,FLAT,M12.....186	WEAR PAD,5 X 1.5 X .625 W/NUTS.....217-218, 221
VALVE,COUNTERBAL,CBBB-LHN@3500.213-214	WASHER,FLAT,M14.....181-182, 185-186, 197-198, 201, 221	WEAR PAD,5 X 1.5 X .75 W/NUTS.....221
VALVE,COUNTERBAL,CBBB-LHN@3500.213-214	WASHER,FLAT,M6 PLTD.....191, 195	WEAR PAD,5 X 3 X .625 W/INSER.....217-218
VALVE,COUNTERBAL,CBBB-LHN@5000.161, 213-214	WASHER,FLAT,M8, YELLOW ZINC...185-186, 195, 209-210	WEAR PAD,5 X 3 X .75.....217-218, 221
VALVE,COUNTERBALANCE.....118-119, 123, 227	WASHER,FLAT,MS,#10,Y.....137, 143, 185-186, 195, 209-210, 233, 247-248, 277, 291-292, 299	WEAR PAD,5.5 X 1.75 X .5.....221, 237, 239
VALVE,COUNTERBALANCE 3000 PSI*...217-218	WASHER,FLAT,MS,#8,Y.....281	WEAR PAD,CABLE TRACK PULL TUBE.....221, 237, 239
VALVE,DIFFERENTIAL SENSING***.....163-164	WASHER,FLAT,USS,1",Y.....137, 159	WEARPAD, LIMIT SWITCH GUIDE.....223
VALVE,DIFFERENTIAL SENSING,110.....163-164	WASHER,FLAT,USS,1/2",Y.....129, 137, 181-182, 185-186, 193, 195, 209-210	WEARPAD,BOOM REST.....145-146
VALVE,FLOW DIVIDER/COMBINER.....167, 169	WASHER,FLAT,USS,1/4"Y.....117-119, 121-123, 126, 129, 137, 139-140, 143, 145-146, 149-150, 153, 185-186, 191, 193, 195, 197-198, 203, 207, 209-210, 214, 217-218, 221, 223, 227, 233, 235, 237, 239, 241, 247-248, 279, 283, 287, 295, 297, 299, 303-304, 311, 313, 315, 321	WELD CABLE TO PLAT,S60.....307
VALVE,FLOW REGULATOR 0.6GPM.....164	WASHER,FLAT,USS,3/8",Y.....118-119, 123, 137, 139-140, 145-146, 181-182, 195, 209-210, 217-218, 227, 233, 237, 239, 241, 297, 301, 321	WELD CABLE TO PLAT,S65.....307
VALVE,FLOW REGULATOR 3.5 GPM**.....163-164	WASHER,FLAT,USS,5/16",Y.....137, 143, 146, 175, 181-182, 185-186, 191, 193, 197-198, 201, 207, 209-210, 223, 241, 281, 303-304, 307, 311, 313, 315, 317, 319	WELDER INVERTEC V275-S.....307
VALVE,FLOW REGULATOR,.1 GPM.....164	WASHER,LOCK,#10 PLTD.....214, 241	WELDMENT, AIR INTAKE BOX.....197-198
VALVE,MANUAL,W/RELIEF VALVE***.....129	WASHER,LOCK,.25.146, 149-150, 214, 218, 221, 227, 241, 247-248, 279, 295, 297, 317	WELDMENT, AIRCRAFT TOP BUMPER.....313
VALVE,NEEDLE***.....164	WASHER,LOCK,.313.....145-146	WELDMENT, BOOM SEC #2, S60 DC.....217-218
VALVE,NEEDLE,BRAKE RELEASE.....323	WASHER,LOCK,375.....118-119, 123, 125-126, 145-146, 193, 207, 213-214, 217-218, 221, 223, 227, 235	WELDMENT, GROUND BOX, S60/65.....149-150
VALVE,PCV FORD DSG-423.....191, 205	WASHER,LOCK,.625 PLTD.....145-146, 309	WELDMENT, LIMIT SWITCH ARM.....223
VALVE,PILOT OPER DIRECTIONAL**.....303-304	WASHER,LOCK,0.5".....118-119, 123, 129, 137, 161, 182, 193, 207, 213-214	WELDMENT, LONG LINK SPACER.....214
VALVE,PROPORTIONAL.....163-164	WASHER,LOCK,IND,LAMP RETAINER....243-244	WELDMENT, PLAT SUPPORT.....231
VALVE,PROPORTIONAL***.....164	WASHER,LOCK,M10.....193, 195, 207, 209-210, 309	WELDMENT, ROTATOR ARM.....161
VALVE,RELIEF 280 PSI.....169	WASHER,LOCK,M14.....185-186	WELDMENT, SENSOR MOUNT.....311, 313
VALVE,RELIEF 3000 PSI***.....164	WASHER,LOCK,M6.....197-198	WELDMENT, SHORT LINK.....214
VALVE,RELIEF,280PSI.....167	WASHER,LOCK,M8.....191, 195, 205	WELDMENT, SKIDPLATE.....311, 313
VALVE,SHUTTLE.....167	WASHER,SHIM,.0151 THK.....229, 233	WELDMENT, TIE ROD.....131
VALVE,SHUTTLE,40 PSI.....169	WASHER,SHIM,.375 X.625X.033 ST.....229	WELDMENT,4/5FT PLATFORM SUPPOR.....233
VALVE,SOLENOID 3 POS,4WAY***.....163-164	WASHER,SHIM,.75 X 1.125 X.030.....229	WELDMENT,6 FT TRI ENTRY PLAT.....283
VALVE,SOLENOID 3POS 4WAY*.....163-164	WASHER,SHIM,1.27 X 2.13 X .062.....225	WELDMENT,8FT TRI ENTRY PLAT.....283
VALVE-SOLENOID,10V,W/OUT COIL*.....177, 303-304	WASHER,SHOULDER,NYLON.....223	WELDMENT,AIRCRAFT SENSOR BUMPR.....311, 313
VALVE-SOLENOID,2POS 3WAY,JIB**.....173	WASHER,SPACER,NOTCHED.....317	WELDMENT,BAT/MANIF TRAY,S60/65.....137
	WASHER,THRUST,1.5 X 3.5 X .187.....118-119, 123	WELDMENT,BOOM SECTION # 2***.....217-218
	WASHER,VIBRATION ISOLATING.....195	WELDMENT,CABLE TRACK TRAY.....217-218
	WASHER,WAVE SPRG,1X.635X.015.....193	WELDMENT,CABLE TRACK TRAY***.....237, 239
	WATER OUTLET, FORD DSG423.....189	WELDMENT,CABLE TRACK TUBE.....217-218
	WATER OUTLET, VERTICAL.....186	WELDMENT,CABLE TRACK TUBE***.....237, 239
	WATER PUMP.....185-186	WELDMENT,CAT MOUNT.....193
	WATER PUMP PULLEY, MSG425.....205	WELDMENT,CAT MOUNT,MSG425.....207
	WATER PUMP, MSG425.....205	WELDMENT,EXHAUST PIPE.....185-186
	WATER PUMP, W/PULLEY.....191	WELDMENT,EXHAUST TUBE.....143
	WDMT, CAT. MUFFLER, MSG425.....207	WELDMENT,EXTENSION BRACKET.....221
	WDMT, HEAT SHIELD, MSG425.....207	WELDMENT,HEADER PIPE.....193, 207
	WDMT, SHROUD INT, S60 MSG425.....209-210	WELDMENT,LEFT COVER SUPPORT.....143
	WDMT,4FT/5FT PLAT. SUPPORT,15K.....231	WELDMENT,LP MOUNT.....139-140
	WDMT,HEADER PIPE,MSG425.....207	WELDMENT,MASTER LINK.....213-214
		WELDMENT,MUFFLER,DSG423.....193
		WELDMENT,NON-OSCILLATING AXLE.....55
		WELDMENT,PLATFORM SUPPORT.....229
		WELDMENT,PLATFORM SUPPORT,CE.....233
		WELDMENT,PRECLEANER BRACKET.....301
		WELDMENT,PULL BAR.....323
		WELDMENT,REAR ENGINE MOUNT.....201
		WELDMENT,RIGHT COVER SUPPORT.....143
		WELDMENT,ROTATOR MOUNT.....229
		WELDMENT,ROTATOR SUPPORT.....233
		WELDMENT,TIMING LINK CAM.....214
		WELDMENT,TOW BAR.....323
		WELDMENT,TRACK PULL TUBE PIVOT.....221, 237, 239
		WELDMENT,TRANSPORT LOCK.....145-146
		WHEEL & TIRE ASSY,LH NM...117-119, 121-123

W

WHEEL & TIRE ASSY,RH,NM...117-119, 121-123
WHEEL 24.5X11.75-9 HOLE.....117-119, 121-123
WHEEL 24.5X11.75-9 x9 BCD.....121-123
WHEEL DRIVE 56:1.....122-123, 125-126
WHEEL DRIVE 56:1 2WD***125-126
WHEEL DRIVE 56:1 4WD***.....118-119, 122-123, 125-126
WHEEL DRIVE 57.5:1 4WD.....118-119, 122-123, 125-126
WHEEL STUD,5/8-18,OMNI***118-119, 122-123, 125-126
WHEEL, 24.5X11.75, 9 X 9 BCD.....121-123
WHEEL,22.5X14.00***117-119, 121-123
WIPER RUBBER, 1 TO 2.....295
WIPER RUBBER, 2 TO 3.....295
WIPER,RING GEAR GUARD.....297
WIRE CABLE,16/2,WHT/BLK,SJEOW.....317
WIRE CABLE,16/4 CON.TPE JKT.....213-214, 217-218
WIRE HARNESS, SENSOR, TEMP189
WIRE LOOM,1"DIA.SLIT,HI TEMP.....155-156
WIRE LOOM,3/8 POLY SLIT.....161
WIRING KIT,CONTROL BOX HEATER.....248
WORKLIGHT, 12V, DEUTSCH RECEPT.....317
WORKLIGHT,12 VOLT***317

Y

YOKE ASSEMBLY W/BEARINGS,LH.....117-119, 121-123
YOKE ASSEMBLY W/BEARINGS,RH.....117-119, 121-123

Z

ZERK,GREASE,5/16-24,STRAIT.....233

Fitting Cross References

Genie PN	Parker PN	Description	Genie PN	Parker PN	Description
12342	6-4 F5OX-S	CONNECTOR, STRAIGHT THREAD TO FLARE TUBE	42794	1 CR-S	ELBOW, 90°, MALE PIPE
13757	4 R6X-S	RUN TEE, SWIVEL NUT, ORFS	42795	BV-0839	BALL VALVE
19685	12-10 C5OX-S	ELBOW, 90°, STRAIGHT THREAD TO FLARE TUBE	42796	BV-0838	BALL VALVE
22664	12-10 C5OX	ELBOW, 90°, STRAIGHT THREAD TO FLARE TUBE	42874	6-8 CLO-S	ELBOW, 90°, MALE PIPE TO ORFS
27431	8-12 F5OX-S	CONNECTOR, STRAIGHT THREAD TO FLARE TUBE	42912	13943-6-4	HOSE END, 90° FEMALE SWIVEL, JIC
28678	AS-B-33	SLEEVE, NYLON, 1.81" ID	42920	BV-0840	BALL VALVE, 90°
39871	6 WETX-WLN-S	UNION, 90° BULKHEAD W/NUT, FLARE TUBE	42932	AS-B-17	SLEEVE, NYLON, 1.22" ID
39872	4 R5OX-S	RUN TEE, STRAIGHT THREAD	42936	10243-2-4	HOSE END, FEMALE PIPE
39873	6 C5OX-S	ELBOW, 90°, STRAIGHT THREAD TO FLARE TUBE	42953	1/2 DD-S	ELBOW, 90°, FEMALE PIPE
39874	8-6 C5OX-S	ELBOW, 90°, STRAIGHT THREAD TO FLARE TUBE	42956	6 WELO-WLNL-S	UNION, 90° BULKHEAD W/NUT, ORFS
39875	4-6 C5OX-S	ELBOW, 90°, STRAIGHT THREAD TO FLARE TUBE	45349	8 V5OX-S	ELBOW, 45°, STRAIGHT THREAD TO FLARE TUBE
39876	6-8 C5OX-S	ELBOW, 90°, STRAIGHT THREAD TO FLARE TUBE	45351	4 V5OX-S	ELBOW, 45°, STRAIGHT THREAD TO FLARE TUBE
39877	4 F5OX-S	CONNECTOR, STRAIGHT THREAD TO FLARE TUBE	47223	10343-6-6	HOSE END, MALE, JIC
39878	6 F5OX-S	CONNECTOR, STRAIGHT THREAD TO FLARE TUBE	47419	PS690503-6-6	SWIVEL, 90°, STRAIGHT THREAD TO 37° FLARE
39879	4-8 F5OX-S	CONNECTOR, STRAIGHT THREAD TO FLARE TUBE	48750	421-4	HOSE, 1/4 INCH ID
39880	6-10 F5OX-S	CONNECTOR, STRAIGHT THREAD TO FLARE TUBE	48751	481TC-4	HOSE, 1/4 INCH ID
39881	4-6 F5OX-S	CONNECTOR, STRAIGHT THREAD TO FLARE TUBE	48752	482TC-4	HOSE, 1/4 INCH ID
39882	4-HP5ON-S	PLUG, STRAIGHT THREAD	48753	451TC-6	HOSE, 3/8 INCH ID
39883	8-8 FTX-S	CONNECTOR, MALE PIPE TO FLARE TUBE	48754	482TC-6	HOSE, 3/8 INCH ID
39885	269HB 12-12	ELBOW, 90°, BEADED HOSE BARB TO MALE PIPE	48755	381-6	HOSE, 3/8 INCH ID
39886	431-6	HOSE, 3/8 INCH ID	48756	451TC-8	HOSE, 1/2 INCH ID
39887	540N-2	HOSE, 1/8 INCH ID	48757	482TC-8	HOSE, 1/2 INCH ID
39888	801-8	HOSE, 1/2 INCH ID	48758	381-8	HOSE, 1/2 INCH ID
39889	801-12	HOSE, 3/4 INCH ID	48759	381-10	HOSE, 5/8 INCH ID
39890	10643-6-6	HOSE END, FEMALE SWIVEL, JIC	48760	451TC-10	HOSE, 5/8 INCH ID
39891	13943-6-6	HOSE END, 90° FEMALE SWIVEL, JIC	48761	482TC-12	HOSE, 3/4 INCH ID
39892	13743-6-6	HOSE END, 45° FEMALE SWIVEL, JIC	48762	451TC-12	HOSE, 3/4 INCH ID
39894	30682-8-8	HOSE END, FEMALE SWIVEL, JIC	48763	772-12	HOSE, 3/4 INCH ID
39895	30682-10-12	HOSE END, FEMALE SWIVEL, JIC	48764	881-16	HOSE, 1 INCH ID
42286	8-8 CTX-S	ELBOW, 90°, MALE PIPE TO FLARE TUBE	48765	772-16	HOSE, 1 INCH ID
42756	8-12 CLO-S	ELBOW, 90°, MALE PIPE TO ORFS	48766	AS-B-15	SLEEVE, NYLON, 1.06" ID
42757	8-12 FLO-S	CONNECTOR, MALE PIPE TO ORFS	48767	AS-B-22	SLEEVE, NYLON, 1.42" ID
42758	4 JLO-S	UNION TEE, ORFS	48770	881-8	HOSE, 1/2 INCH ID
42759	4-4 FLO-S	CONNECTOR, MALE PIPE TO ORFS			
42760	6-8 FLO-S	CONNECTOR, MALE PIPE TO ORFS			
42761	1J143-6-4	HOSE END, 90° FEMALE SWIVEL, SEAL LOK			
42762	1J743-6-4	HOSE END, 45° FEMALE SWIVEL, SEAL LOK			
42768	1JO43-4-4	HOSE END, MALE, SEAL LOK			
42776	601-8	HOSE, 1/2 INCH ID			
42777	1J743-16-16	HOSE END, 45° FEMALE SWIVEL, SEAL LOK			
42786	16 CLO-S	ELBOW, 90°, MALE PIPE TO ORFS			
42787	16 R6LO-S	RUN TEE, SWIVEL NUT, ORFS			
42788	16-8 TRLO-BL-S	REDUCER, TUBE END TO SWIVEL, ORFS			
42789	6-6 CLO-S	ELBOW, 90°, MALE PIPE TO ORFS			
42790	8-10 V5OLO-S	ELBOW, 45°, STRAIGHT THREAD TO ORFS			
42791	3/4 CD-S	ELBOW, 90°, MALE TO FEMALE PIPE			
42792	3/4 X 1/2 PTR-S	REDUCER, MALE TO FEMALE PIPE			
42793	1/2 CR-S	ELBOW, 90°, MALE PIPE			

Fitting Cross References (Continued)

Genie PN	Parker PN	Description
48771	881-10	HOSE,5/8 INCH ID
48772	381-4	HOSE,1/4 INCH ID
48773	AS-B-13	SLEEVE,NYLON,.86" ID
48800	1JC43-4-4	HOSE END,FEMALE SWIVEL,SEAL LOK
48801	1J743-4-4	HOSE END,45° FEMALE SWIVEL,SEAL LOK
48802	1J943-4-4	HOSE END,90° FEMALE SWIVEL,SEAL LOK
48804	1JM43-4-4	HOSE END,MALE,SEAL LOK, NO O-RING
48805	10643-4-4	HOSE END,FEMALE SWIVEL,JIC
48806	13943-4-4	HOSE END,90° FEMALE SWIVEL,JIC
48807	1JS43-4-4	HOSE END,FEMALE SWIVEL,SEAL LOK
48808	3JC82-8-8	HOSE END,FEMALE SWIVEL,SEAL LOK
48809	3JC82-12-12	HOSE END,FEMALE SWIVEL,SEAL LOK
48810	1JC43-6-4	HOSE END,FEMALE SWIVEL,SEAL LOK
48811	1J943-6-4	HOSE END,90° FEMALE SWIVEL,SEAL LOK
48812	1JC43-6-6	HOSE END,FEMALE SWIVEL,SEAL LOK
48813	1J143-6-6	HOSE END,90° FEMALE SWIVEL,SEAL LOK
48814	1J543-6-6	HOSE END,90° FEMALE SWIVEL,SEAL LOK
48815	1J743-6-6	HOSE END,45° FEMALE SWIVEL,SEAL LOK
48816	1J943-6-6	HOSE END,90° FEMALE SWIVEL,SEAL LOK
48817	1JS43-6-8	HOSE END,FEMALE SWIVEL,SEAL LOK
48818	1J943-8-4	HOSE END,90° FEMALE SWIVEL,SEAL LOK
48819	1JC43-8-6	HOSE END,FEMALE SWIVEL,SEAL LOK
48820	1J743-8-6	HOSE END,45° FEMALE SWIVEL,SEAL LOK
48821	1J943-8-6	HOSE END,90° FEMALE SWIVEL,SEAL LOK
48822	1JC43-8-8	HOSE END,FEMALE SWIVEL,SEAL LOK
48823	1JS43-8-8	HOSE END,FEMALE SWIVEL,SEAL LOK
48824	1J143-8-8	HOSE END,90° FEMALE SWIVEL,SEAL LOK
48825	1J543-8-8	HOSE END,90° FEMALE SWIVEL,SEAL LOK
48826	1J743-8-8	HOSE END,45° FEMALE SWIVEL,SEAL LOK
48827	1J943-8-8	HOSE END,90° FEMALE SWIVEL,SEAL LOK
48828	1JC43-10-8	HOSE END,FEMALE SWIVEL,SEAL LOK
48829	1JS43-10-8	HOSE END,FEMALE SWIVEL,SEAL LOK
48830	1J743-10-8	HOSE END,45° FEMALE SWIVEL,SEAL LOK
48831	1J943-10-8	HOSE END,90° FEMALE SWIVEL,SEAL LOK
48833	1JC43-10-10	HOSE END,FEMALE SWIVEL,SEAL LOK
48834	1J943-10-10	HOSE END,90° FEMALE SWIVEL,SEAL LOK
48835	1JS43-10-12	HOSE END,FEMALE SWIVEL,SEAL LOK
48836	1JC43-12-8	HOSE END,FEMALE SWIVEL,SEAL LOK
48837	1JS43-12-8	HOSE END,FEMALE SWIVEL,SEAL LOK
48838	1J743-12-8	HOSE END,45° FEMALE SWIVEL,SEAL LOK
48839	1J943-12-8	HOSE END,90° FEMALE SWIVEL,SEAL LOK
48840	1J943-12-10	HOSE END,90° FEMALE SWIVEL,SEAL LOK
48841	1JC43-12-12	HOSE END,FEMALE SWIVEL,SEAL LOK
48842	1JO43-12-12	HOSE END,MALE,SEAL LOK
48843	1J143-12-12	HOSE END,90° FEMALE SWIVEL,SEAL LOK
48844	1J543-12-12	HOSE END,90° FEMALE SWIVEL,SEAL LOK
48845	1J743-12-12	HOSE END,45° FEMALE SWIVEL,SEAL LOK
48846	1J943-12-12	HOSE END,90° FEMALE SWIVEL,SEAL LOK

Genie PN	Parker PN	Description
48847	13943-12-12	HOSE END,90° FEMALE SWIVEL,JIC
48848	10543-12-12	HOSE END,MALE,STRAIGHT THREAD
48849	1JC71-12-12	HOSE END,FEMALE SWIVEL,SEAL LOK
48850	1JS71-12-12	HOSE END,FEMALE SWIVEL,SEAL LOK
48851	1J171-12-12	HOSE END,90° FEMALE SWIVEL,SEAL LOK
48852	1J771-12-12	HOSE END,45° FEMALE SWIVEL,SEAL LOK
48853	1J971-12-12	HOSE END,90° FEMALE SWIVEL,SEAL LOK
48854	1JC43-16-16	HOSE END,FEMALE SWIVEL,SEAL LOK
48855	1J943-16-16	HOSE END,90° FEMALE SWIVEL,SEAL LOK
48856	1J171-16-16	HOSE END,90° FEMALE SWIVEL,SEAL LOK
48857	1J971-16-16	HOSE END,90° FEMALE SWIVEL,SEAL LOK
48859	1JS43-8-4	HOSE END,FEMALE SWIVEL,SEAL LOK
48867	PD36BTL	DIAGNOSTIC NIPPLE,SEAL-LOK SWIVEL
48873	6 PNLO-S	PLUG,TUBE END,ORFS
48874	6 PNTX-S	PLUG,FLARE TUBE
48875	6 R6LO-S	RUN TEE,SWIVEL NUT,ORFS
48877	4 F5OLO-SW.025	CONNECTOR,STRAIGHT THREAD TO ORFS, W/.025 ORI
48878	16-12 C5OLO-S	ELBOW,90°,STRAIGHT THREAD TO ORFS
48879	8 C6LO-S	ELBOW,90°,SWIVEL NUT ORFS
48880	PD6-285	CAP,DIAGNOSTIC NIPPLE
48881	6 HLO-S	UNION,ORFS
48883	8 P5ON-S	PLUG,STRAIGHT THREAD
48884	8M18F87OMLO-S	CONNECTOR,METRIC,STRAIGHT THREAD TO ORFS
48885	4 WGTX-WLN-S	CONNECTOR,BULKHEAD,FEMALE PIPE TO FLARE TUBE
48886	4 F5OLO-SW/2MM	CONNECTOR,MACHINED STRAIGHT THREAD TO ORFS
48887	4 CTX-S	ELBOW,90°,MALE PIPE TO FLARE TUBE
48888	10-12 V5OLO-S	ELBOW,45°,STRAIGHT THREAD TO ORFS
48890	4 S5OLO-S	BRANCH TEE,STRAIGHT THREAD TO ORFS
48891	4 S6LO-S	BRANCH TEE,SWIVEL NUT TO ORFS

Fitting Cross References (Continued)

Genie PN	Parker PN	Description	Genie PN	Parker PN	Description
48892	6 C6LO-S	ELBOW,90°,SWIVEL NUT ORFS	48938	8 R6LO-S	RUN TEE,SWIVEL NUT,ORFS
48893	6 F5OHAO-S	UNION,STRAIGHT THREAD	48939	8 S6LO-S	BRANCH TEE,SWIVEL NUT TO ORFS
48894	8 WLO-WLNL-S	UNION,BULKHEAD,ORFS	48940	8 WJLO-WLNL-S	RUN TEE, BULKHEAD,ORFS
48895	DT-370-MSMO-5	VALVE,CHECK	48941	8-4 TRLO-S	REDUCER,TUBE END TO SWIVEL,ORFS
48896	6 JLO-S	UNION,TEE,ORFS	48942	8-6 C5OLO-S	ELBOW,90°,STRAIGHT THREAD TO ORFS
48897	DT-750-MSMS-5	VALVE,CHECK	48943	8-6 F5OLO-S	CONNECTOR,STRAIGHT THREAD TO ORFS
48898	DT-750-MOMS-5	VALVE,CHECK	48944	8-8 FLO-S	CONNECTOR,MALE PIPE TO ORFS
48899	DT-620-MOMS-5	VALVE,CHECK	48945	8 FTX-S	CONNECTOR,MALE PIPE TO FLARE TUBE
48900	4-6 F5OLO-SW/.035	CONNECTOR,STRAIGHT THREAD TO ORFS, W/.035 ORI	48946	8-10 F5OLO-S	CONNECTOR,STRAIGHT THREAD TO ORFS
48902	16-1 AOE4G-S	ELBOW,90° LONG,FEMALE PIPE TO STRAIGHT THREAD	48947	8-12 C5OLO-S	ELBOW,90°,STRAIGHT THREAD TO ORFS
48903	1 FF-S	NIPPLE,PIPE	48948	8-12 F5OLO-S	CONNECTOR,STRAIGHT THREAD TO ORFS
48904	4 C5OLO-S	ELBOW,90°,STRAIGHT THREAD TO ORFS	48949	8-16 F5OLO-S	CONNECTOR,STRAIGHT THREAD TO ORFS
48905	4 F5OLO-S	CONNECTOR,STRAIGHT THREAD TO ORFS	48950	10 C5OLO-S	ELBOW,90°,STRAIGHT THREAD TO ORFS
48906	4 R5OLO-S	RUN TEE,STRAIGHT THREAD	48951	10 CC5OLO-S	ELBOW,90° LONG,STRAIGHT THREAD TO ORFS
48907	4 V5OLO-S	ELBOW,45°,STRAIGHT THREAD TO ORFS	48952	10 F5OLO-S	CONNECTOR,STRAIGHT THREAD TO ORFS
48908	4 R6LO-S	RUN TEE,SWIVEL NUT,ORFS	48953	10 R5OLO-S	RUN TEE,STRAIGHT THREAD
48909	4 WJLO-WLNL-S	RUN TEE, BULKHEAD,ORFS	48954	10 S5OLO-S	BRANCH TEE,STRAIGHT THREAD TO ORFS
48910	4 GTX-S W/.030	CONNECTOR,FEMALE PIPE TO FLARE TUBE	48955	10 R6LO-S	RUN TEE,SWIVEL NUT,ORFS
48911	4-6 C5OLO-S	ELBOW,90°,STRAIGHT THREAD TO ORFS	48956	10-4 TRLO-BL-S	REDUCER,TUBE END TO SWIVEL,ORFS
48912	4-6 F5OLO-S	CONNECTOR,STRAIGHT THREAD TO ORFS	48957	10-6 TRLO-BL-S	REDUCER,TUBE END TO SWIVEL,ORFS
48913	4-6 F5OLO-SW/.030	CONNECTOR,STRAIGHT THREAD TO ORFS, W/.030 ORI	48958	10-12 F5OLO-S	CONNECTOR,STRAIGHT THREAD TO ORFS
48914	4-8 F5OLO-S	CONNECTOR,STRAIGHT THREAD TO ORFS	48959	12 C5OLO-S	ELBOW,90°,STRAIGHT THREAD TO ORFS
48915	6 C5OLO-S	ELBOW,90°,STRAIGHT THREAD TO ORFS	48960	12 F5OLO-S	CONNECTOR,STRAIGHT THREAD TO ORFS
48916	6 F5OLO-S	CONNECTOR,STRAIGHT THREAD TO ORFS	48961	12 R5OLO-S	RUN TEE,STRAIGHT THREAD
48917	6 FF5OLO-S	CONNECTOR,LONG,STRAIGHT THREAD TO ORFS	48962	12 S5OLO-S	BRANCH TEE,STRAIGHT THREAD TO ORFS
48918	6 R5OLO-S	RUN TEE,STRAIGHT THREAD	48963	12 V5OLO-S	ELBOW,45°,STRAIGHT THREAD TO ORFS
48919	6 S5OLO-S	BRANCH TEE,STRAIGHT THREAD TO ORFS	48964	12 R6LO-S	RUN TEE,SWIVEL NUT,ORFS
48920	6 V5OLO-S	ELBOW,45°,STRAIGHT THREAD TO ORFS	48965	12 CLO-S	ELBOW,90°,MALE PIPE TO ORFS
48921	6 FLO-S	CONNECTOR,MALE PIPE TO ORFS	48966	12 FLO-S	CONNECTOR,MALE PIPE TO ORFS
48922	6-6 FLO-S	CONNECTOR,MALE PIPE TO ORFS	48967	12 JLO-S	UNION TEE,ORFS
48923	6 P5ON-S	PLUG,STRAIGHT THREAD	48968	12 WLO-WLNL-S	UNION,BULKHEAD,ORFS
48925	6 WELO-S	UNION,90° BULKHEAD,ORFS	48969	12 WJLO-WLNL-S	RUN TEE, BULKHEAD,ORFS
48926	6-4 C5OLO-S	ELBOW,90°,STRAIGHT THREAD TO ORFS	48970	12 WELO-WLNL-S	UNION,90° BULKHEAD W/NUT,ORFS
48927	6-4 F5OLO-S	CONNECTOR,STRAIGHT THREAD TO ORFS			
48928	6-4 V5OLO-S	ELBOW,45°,STRAIGHT THREAD TO ORFS			
48929	6-8 C5OLO-S	ELBOW,90°,STRAIGHT THREAD TO ORFS			
48930	6-8 F5OLO-S	CONNECTOR,STRAIGHT THREAD TO ORFS			
48931	6-10 F5OLO-S	CONNECTOR,STRAIGHT THREAD TO ORFS			
48932	8 C5OLO-S	ELBOW,90°,STRAIGHT THREAD TO ORFS			
48933	8 F5OLO-S	CONNECTOR,STRAIGHT THREAD TO ORFS			
48934	8 FF5OLO-S	CONNECTOR,LONG,STRAIGHT THREAD TO ORFS			
48935	8 R5OLO-S	RUN TEE,STRAIGHT THREAD			
48936	8 S5OLO-S	BRANCH TEE,STRAIGHT THREAD TO ORFS			
48937	8 V5OLO-S	ELBOW,45°,STRAIGHT THREAD TO ORFS			

Fitting Cross References (Continued)

Genie PN	Parker PN	Description	Genie PN	Parker PN	Description
48971	12 G5G5JG5-S	TEE,FEMALE STRAIGHT THREAD	49612	PKT02586	O-RING KIT (ORFS FITTINGS)
48972	12 XHL6-S	ADAPTER, 37° MALE TO SWIVEL ORFS	49613	PKT06276	PLUG AND CAP KIT-SERVICE,ORFS
48973	12-1/2 F5OG-S	ADAPTER,FEMALE PIPE TO STRAIGHT THREAD	49728	10143-12-12	HOSE END, MALE PIPE
48974	12-10 C5OLO-S	ELBOW,90°,STRAIGHT THREAD TO ORFS	49729	16-1 F5OG-S	ADAPTER,FEMALE PIPE TO STRAIGHT THREAD
48975	12-10 F5OLO-S	CONNECTOR,STRAIGHT THREAD TO ORFS	49814	12-8 FLO-S	CONNECTOR,MALE PIPE TO ORFS
48976	12-16 C5OLO-S	ELBOW,90°,STRAIGHT THREAD TO ORFS	49829	DT-500-MOMF-5	VALVE,CHECK
48977	12-16 F5OLO-S	CONNECTOR,STRAIGHT THREAD TO ORFS	49831	881-12	HOSE,3/4 INCH ID
48978	12-16 V5OLO-S	ELBOW,45°,STRAIGHT THREAD TO ORFS	49834	16 JLO-S	UNION TEE,ORFS
48980	12-16 FLO-S	CONNECTOR,MALE PIPE TO ORFS	49838	12-8 TRLO-BL-S	REDUCER,TUBE END TO SWIVEL,ORFS
48983	16 C5OLO-S	ELBOW,90°,STRAIGHT THREAD TO ORFS	49840	8 JLO-S	UNION TEE,ORFS
48984	16 F5OLO-S	CONNECTOR,STRAIGHT THREAD TO ORFS	49844	10-8 TRLO-BL-S	REDUCER,TUBE END TO SWIVEL,ORFS
48985	16 V5OLO-S	ELBOW,45°,STRAIGHT THREAD TO ORFS	49854	8 P5ON-S	PLUG,STRAIGHT THREAD
48986	16 FLO-S	CONNECTOR,MALE PIPE TO ORFS	49855	1JC43-16-12	HOSE END,FEMALE SWIVEL,SEAL LOK
48988	16 CD45-S	ELBOW,45°,MALE TO FEMALE PIPE	49859	4 P5ON-S	PLUG,STRAIGHT THREAD
48989	12 CD45-S	ELBOW,45°,MALE TO FEMALE PIPE	49861	4 FF5OLO-S	CONNECTOR,LONG,STRAIGHT THREAD TO ORFS
48990	8 CD45-S	ELBOW,45°,MALE TO FEMALE PIPE	49867	12-3/4 F5OG-S	ADAPTER,FEMALE PIPE TO STRAIGHT THREAD
48991	16-12 FLO-S	CONNECTOR,MALE PIPE TO ORFS	51152	6 R6X-S	RUN TEE,SWIVEL NUT,ORFS
48992	16-12 V5OLO-S	ELBOW,45°,STRAIGHT THREAD TO ORFS	51153	6-4 TRTX-S	REDUCER,TUBE END TO SWIVEL,ORFS
48993	XV501-12	BALL VALVE	51154	4-4 GTX	CONNECTOR,FEMALE PIPE TO FLARE TUBE
48994	XV501-16	BALL VALVE	51264	881-12	HOSE,3/4 INCH ID
48995	XV510P-12	BALL VALVE	51265	8 JLO-S	UNION TEE,ORFS
48996	XV510P-16	BALL VALVE	51508	6 BTX-S	NUT,FLARE TUBE
48997	PD341	DIAGNOSTIC NIPPLE, STRAIGHT THREAD	51580	12-8 TRLO-BL-S	TUBE END REDUCER,ORFS
48998	PD 361	DIAGNOSTIC NIPPLE, STRAIGHT THREAD	51628	6 R6X-S	RUN TEE,SWIVEL NUT,ORFS
48999	DT-500-MOMS-5	VALVE,CHECK	51735	3/8 HHP	PLUG,PIPE THREAD
49201	10 V5OLO-S	ELBOW,45°,STRAIGHT THREAD TO ORFS	51803	1J943-6-8	HOSE END,90° FEMALE SWIVEL,SEAL LOK
49202	1JC43-12-10	HOSE END,FEMALE SWIVEL,SEAL LOK	53023	125HBL-5-4	FITTING,HOSE BARB TO MALE PIPE
49203	10-8 V5OLO-S	ELBOW,45°,STRAIGHT THREAD TO ORFS	53497	PKT02585	O-RING KIT
49205	6 F5OHAO-S	UNION,STRAIGHT THREAD	53499	1JC71-16-16	HOSE END,FEMALE SWIVEL,SEAL LOK
49207	PD34BTL	DIAGNOSTIC NIPPLE,SEAL-LOK SWIVEL	53500	3-904	O-RING,STRAIGHT THREAD,-4
49209	8M18F870MX-S	CONNECTOR,METRIC,STRAIGHT THREAD TO FLARE TUBE	53501	3-906	O-RING,STRAIGHT THREAD,-6
49212	8 WGTX-WLN-S	CONNECTOR,BULKHEAD,FEMALE PIPE TO FLARE TUBE	53502	3-908	O-RING,STRAIGHT THREAD,-8
49213	30682-8-8	HOSE END,FEMALE SWIVEL,JIC	53503	3-910	O-RING,STRAIGHT THREAD,-10
49216	831-8	HOSE,1/2 INCH ID			
49217	33982-8-8	HOSE END,90° FEMALE SWIVEL,JIC			
49219	PS-B-35	SLEEVE,NYLON,2.19" ID			
49418	4-6 V5OLO-S	ELBOW,45°,STRAIGHT THREAD TO ORFS			
49511	DT370-MOMS-5	VALVE,CHECK			
49512	1 DD-S	ELBOW,90°,FEMALE PIPE			
49513	1 FF-S	NIPPLE,PIPE			
49514	10 HP5ON-S	PLUG,STRAIGHT THREAD			
49515	12-16 CLO-S	ELBOW,90°,MALE PIPE TO ORFS			
49517	6 HP5ON-S	PLUG,STRAIGHT THREAD			
49519	16-12 F5OLO-S	CONNECTOR,STRAIGHT THREAD TO ORFS			
49520	4 VTX-S	ELBOW,45°,MALE PIPE TO FLARE TUBE			
49530	16 C6LO-S	ELBOW,90°,SWIVEL NUT ORFS			

Fitting Cross References (Continued)

Genie PN	Parker PN	Description	Genie PN	Parker PN	Description
53535	3-912	O-RING, STRAIGHT THREAD, -12	61083	24 F5OLO-S	CONNECTOR, STRAIGHT THREAD TO ORFS
53536	4-PNLO-S	PLUG, TUBE END, ORFS	61086	20 R5OLO-S	RUN TEE, STRAIGHT THREAD
53537	6 PNLO-S	PLUG, TUBE END, ORFS	61090	24-20 F5OLO-S	CONNECTOR, STRAIGHT THREAD TO ORFS
53538	8 PNLO-S	PLUG, TUBE END, ORFS	61091	1J943 24-24	HOSE END, 90° FEMALE SWIVEL, SEAL LOK
53539	10 PNLO-S	PLUG, TUBE END, ORFS	61093	1J978-12-12	HOSE END, 90° FEMALE SWIVEL, JIC
53540	12 PNLO-S	PLUG, TUBE END, ORFS	61095	1JS43-20-16	HOSE END, FEMALE SWIVEL, SEAL LOK
53946	129HB-5-4	FITTING, 90° HOSE BARB TO MALE PIPE	61100	811-24	HOSE, 1 1/2 INCH ID
53951	8-1/4F50G-S	ADAPTER, FEMALE PIPE TO STRAIGHT THREAD	61130	1JS43-24-24	HOSE END, FEMALE SWIVEL, SEAL LOK
53980	6 S6LO-S	BRANCH TEE, SWIVEL NUT TO ORFS	61131	1JS78 12-12	HOSE END, FEMALE SWIVEL, SEAL LOK
54132	4 C6LO-S	ELBOW, 90°, SWIVEL NUT ORFS	61132	1J778-12-12	HOSE END, 45° FEMALE SWIVEL, JIC
54135	11343-16-16	HOSE END, MALE SWIVEL, PIPE	61152	139HB-6-4	ELBOW, 45°, BARB TO MALE PIPE
54283	8-10 C5OLO-S	ELBOW, 90°, STRAIGHT THREAD TO ORFS	61251	BV-0750	BALL VALVE
54428	8M18C870MLO-S	ELBOW, 90° METRIC, STRAIGHT THREAD TO ORFS	61259	4 CC5OLO-S	ELBOW, 90° LONG, STRAIGHT THREAD TO ORFS
54803	FS-F-16-10	SLEEVE, FIRE, .96" ID	61260	20-12 TRLO-BL	REDUCER, TUBE END TO SWIVEL, ORFS
54954	10143-2-4	HOSE END, MALE PIPE	61262	12 C6LO-S	ELBOW, 90°, SWIVEL NUT ORFS
55190	3/8 HP-S	PLUG, PIPE THREAD	61263	20 F5OHAO-S	UNION, STRAIGHT THREAD
55448	8 HLO-S	UNION, ORFS	61264	6-10 C5OLO-S	ELBOW, 90°, STRAIGHT THREAD TO ORFS
55839	6 F65OX-S	CONNECTOR, STRAIGHT THREAD TO 37° SWIVEL	61265	6 WNLO-WLNL-S	UNION, BULKHEAD 45°, ORFS
55968	10 C5OX-S	ELBOW, 90°, STRAIGHT THREAD TO FLARE TUBE	61268	4 WNLO-WLNL-S	UNION, BULKHEAD 45°, ORFS
56003	6 CC5OLO-S	ELBOW, 90° LONG, STRAIGHT THREAD TO ORFS	61269	4 WLO-WLNL-S	UNION, BULKHEAD, ORFS
56166	BV-0837	BALL VALVE, 90°	61272	12 AOEL6	ELBOW, 90°, STRAIGHT THREAD TO ORFS SWIVEL
56188	10143-8-6	HOSE END, MALE PIPE	61316	482TC-16	HOSE, 1 INCH ID
56233	2-011	O-RING, ORFS, -4	61321	6 JLO-S	UNION TEE, ORFS
56234	2-012	O-RING, ORFS, -6	61327	782-12	HOSE, 3/4 INCH ID
56235	2-014	O-RING, ORFS, -8	61328	881-24	HOSE, 1 1/2 INCH ID
56236	2-016	O-RING, ORFS, -10	61336	11943-20-24	HOSE END, 90° FLANGE HEAD
56237	2-018	O-RING, ORFS, -12	61345	12 WJLO-WLNL-S	RUN TEE, BULKHEAD, ORFS
56238	2-021	O-RING, ORFS, -16	61346	8 WNLO-WLNL-S 4	UNION, BULKHEAD 45°, ORFS
56352	6 WLNL-S	LOCKNUT, BULKHEAD	61569	33782-8-8	HOSE END, 45° FEMALE SWIVEL, JIC
56353	3J782-12-12	HOSE END, 45° FEMALE SWIVEL, SEAL LOK	61610	12 FF5OLO-S	CONNECTOR, LONG, STRAIGHT THREAD TO ORFS
56354	3J982-12-12	HOSE END, 90° FEMALE SWIVEL, SEAL LOK	61742	1/8 X 1.5 FFF	NIPPLE, PIPE
56604	10-8 F5OLO-S	CONNECTOR, STRAIGHT THREAD TO ORFS	63426	8 PNTX-S	PLUG, FLARE TUBE
56639	3JC82-10-10	HOSE END, FEMALE SWIVEL, SEAL LOK			
56640	3J982-10-10	HOSE END, 90° FEMALE SWIVEL, SEAL LOK			
56655	3JC82-8-10	HOSE END, FEMALE SWIVEL, SEAL LOK			
56676	10-8 C5OLO-S	ELBOW, 90°, STRAIGHT THREAD TO ORFS			
56776	471TC-6	HOSE, 3/8 INCH ID			
56777	471TC-8	HOSE, 1/2 INCH ID			
56789	811-16	HOSE, 1 INCH ID			
57884	3/8 FF	NIPPLE, PIPE			
59335	6 FNL-S	CAP, TUBE END			
59342	4 FNL-S	CAP, TUBE END			
59371	8 HP5ON-S	PLUG, STRAIGHT THREAD			
60653	BV-0751	BALL VALVE			
60806	125HB-3-4	FITTING, HOSE BARB TO MALE PIPE			
61064	5-1/4 F50G-S	ADAPTER, FEMALE PIPE TO STRAIGHT THREAD			
61079	4 WELO-WLNL-S	UNION, 90° BULKHEAD W/NUT, ORFS			
61080	6 WLO-WLNL-S	UNION, BULKHEAD, ORFS			

Fitting Cross References (Continued)

Genie PN	Parker PN	Description	Genie PN	Parker PN	Description
64271	4 WLO-WLNL-S	UNION,BULKHEAD,ORFS	75631	801-6	HOSE,3/8 INCH ID
64272	6 WLO-WLNL-S	UNION,BULKHEAD,ORFS	75654	20 F5OLO-S	CONNECTOR,STRAIGHT THREAD TO ORFS
65776	8 F65OL-S	CONNECTOR,STRAIGHT THREAD TO ORFS SWIVEL	75655	1J943-20-20	HOSE END,90° FEMALE SWIVEL,SEAL LOK
65880	6001012	O-RING KIT	75656	881-20	HOSE,1-1/4 INCH ID
66154	6 WTX-WLNS	UNION,BULKHEAD,FLARE TUBE	75971	8 F5OHAO-S	UNION,STRAIGHT THREAD
66155	6 WETX-S	UNION,BULKHEAD 90°,FLARE TUBE	77307	1JB43-8-8	HOSE END,BULKHEAD,SEAL LOK
66156	6 WLN-S	BULKHEAD LOCKNUT	77309	8 WLNL-S	BULKHEAD LOCKNUT
66389	6-8 F5OX-S	CONNECTOR,STRAIGHT THREAD TO FLARE TUBE	77379	8M18C87OMX-S	ELBOW,90° METRIC,STRAIGHT THREAD TO FLARE TUBE
66392	6 R5OX-S	RUN TEE,STRAIGHT THREAD	77703	3J982-8-8	HOSE END,90° FEMALE SWIVEL,SEAL LOK
66396	811-12	HOSE,3/4 INCH ID	77711	801-10	HOSE,5/8 INCH ID
66829	H3174PP	CLAMP,TUBE	77758	12 WNLO-WLNL-S	UNION,BULKHEAD 45°,ORFS
67217	4 KLO-S	UNION,CROSS,ORFS	78091	6 C6X-S	ELBOW,90°,SWIVEL NUT TO FLARE TUBE
67339	10-6 F5OX-S	CONNECTOR,STRAIGHT THREAD TO FLARE TUBE	78684	30582-8-8B	HOSE END,PUSH LOK,MALE
67357	13943-8-6	HOSE END,90° FEMALE SWIVEL,JIC	78852	549-2	HOSE,1/8 INCH ID
67358	10 HP5ON-S	PLUG,STRAIGHT THREAD	78855	10657-4-2	HOSE END,FEMALE SWIVEL,JIC
67371	12 S6LO-S	BRANCH TEE,SWIVEL NUT TO ORFS	79138	PS-B-37	SLEEVE,NYLON,2.38" ID
67498	4 FNL-S	CAP, TUBE END	79476	1JS43-6-8	HOSE END,FEMALE SWIVEL,SEAL LOK
67906	DC-370-F0F0-5	VALVE,CHECK	79847	12-3/4 A0EG-S	ELBOW,90°,STRAIGHT THREAD TO FEMALE PIPE
69316	8 FLO-S	CONNECTOR,MALE PIPE TO ORFS	80044	8 CLO-S	ELBOW,90°,MALE PIPE TO ORFS
69333	H3174PP	CLAMP,HYDRAULIC HOSE	80502	8 F5OX-S	CONNECTOR,STRAIGHT THREAD TO FLARE TUBE
69503	4 F65OX-S	CONNECTOR,STRAIGHT THREAD TO 37° SWIVEL	80503	8 C5OX-S	ELBOW,90°,STRAIGHT THREAD TO FLARE TUBE
69775	8 FNL-S	CAP, TUBE END	81010	AS-B-27	SLEEVE,NYLON,1.63" ID
71038	1/4X1/4F3HG-S	ADAPTER,CONVERSION	83052	821-6	HOSE,3/8 INCH ID
71196	12-8 F5OLO-S	CONNECTOR,STRAIGHT THREAD TO ORFS	83053	821-8	HOSE,1/2 INCH ID
71383	1/4 CD45-S	ELBOW,45°,MALE TO FEMALE PIPE	83054	821-12	HOSE,3/4 INCH ID
72270	12FNL-S	CAP, TUBE END	83055	30682-6-6	HOSE END,FEMALE SWIVEL,JIC
73436	60C-4	SLEEVE,COMPRESSION	83056	30682-12-12	HOSE END,FEMALE SWIVEL,JIC
73437	61C-4	NUT,COMPRESSION	83057	33782-6-6	HOSE END,45° FEMALE SWIVEL,JIC
73438	33482-4-4B	HOSE END,PUSH LOK,MALE	83058	33982-6-6	HOSE END,90° FEMALE SWIVEL,JIC
73767	1CD-S	ELBOW,90°,MALE TO FEMALE PIPE	83060	33982-12-12	HOSE END,90° FEMALE SWIVEL,JIC
73768	20-16-F5OG5-S	ADAPTER,FEMALE PIPE TO STRAIGHT THREAD	83063	13743-4-4	HOSE END,45° FEMALE SWIVEL,JIC
73769	16-20 F5OLO-S	CONNECTOR,STRAIGHT THREAD TO ORFS			
74660	6-8 F42EDMLO-S	CONNECTOR,MALE BSPP TO ORFS			
74661	8-8 F42EDMLO-S	CONNECTOR,MALE BSPP TO ORFS			
75007	4 FLO-S	CONNECTOR,MALE PIPE TO ORFS			
75008	1/8 HP-S	PLUG,PIPE THREAD			
75014	1/2 HP-S	PLUG,PIPE THREAD			
75042	8 WELO-WLNL-S	UNION,90° BULKHEAD W/NUT,ORFS			
75043	3/4 FF-S	NIPPLE,PIPE			
75254	24 F5OHAO-S	UNION,STRAIGHT THREAD			
75255	12 F5OHAO-S	UNION,STRAIGHT THREAD			
75256	XV506P-24	BALL VALVE			
75574	4 WLNL-S	BULKHEAD LOCKNUT			
75612	8 WJLO-WLNL-S	RUN TEE, BULKHEAD,ORFS			
75613	12-8 F5OG5-S	ADAPTER,FEMALE PIPE TO STRAIGHT THREAD			
75614	8 CC5OLO-S	ELBOW,90° LONG,STRAIGHT THREAD TO ORFS			
75628	1JB43-4-4	HOSE END,BULKHEAD,SEAL LOK			

Fitting Cross References (Continued)

Genie PN	Parker PN	Description	Genie PN	Parker PN	Description
83064	13743-8-8	HOSE END,45° FEMALE SWIVEL,JIC	89449	6 WJLO-WLNL-S	RUN TEE, BULKHEAD,ORFS
83065	13743-12-12	HOSE END,45° FEMALE SWIVEL,JIC	89489	4 WJMLO-S	BRANCH TEE,BULKHEAD,ORFS
83066	13943-8-8	HOSE END,90° FEMALE SWIVEL,JIC	89551	1JB43-6-6	HOSE END,BULKHEAD,SEAL LOK
83067	14143-6-6	HOSE END,90° FEMALE SWIVEL,JIC	89552	1JB43-8-8	HOSE END,BULKHEAD,SEAL LOK
83068	14143-8-8	HOSE END,90° FEMALE SWIVEL,JIC	89593	20 C5OLO-S	ELBOW,90°,STRAIGHT THREAD TO ORFS
83069	14143-12-12	HOSE END,90° FEMALE SWIVEL,JIC	94161	8-8 CLO-S	ELBOW,90°,MALE PIPE TO ORFS
83070	772-8	HOSE,1/2 INCH ID	94358	351TC-12	HOSE,3/4 INCH ID
83071	10671-8-8	HOSE END,FEMALE SWIVEL,JIC	94418	20 FLO-S	CONNECTOR,MALE PIPE TO ORFS
83072	10671-12-12	HOSE END,FEMALE SWIVEL,JIC	96358	12 TX-S	SLEEVE,FLARE TUBE
83073	13771-8-8	HOSE END,45° FEMALE SWIVEL,JIC	96359	12 BTX-S	NUT,FLARE TUBE
83074	13771-12-12	HOSE END,45° FEMALE SWIVEL,JIC	96397	8 F5OX-S	CONNECTOR,STRAIGHT THREAD TO FLARE TUBE
83075	13971-8-8	HOSE END,90° FEMALE SWIVEL,JIC	96398	12-8 F5OX-S	CONNECTOR,STRAIGHT THREAD TO FLARE TUBE
83076	13971-12-12	HOSE END,90° FEMALE SWIVEL,JIC	96402	10343-6-6	HOSE END,MALE,JIC
83077	14171-8-8	HOSE END,90° FEMALE SWIVEL,JIC	96407	30382-6-6B	HOSE END,MALE,JIC
83078	14171-12-12	HOSE END,90° FEMALE SWIVEL,JIC			
83080	13943-16-16	HOSE END,90° FEMALE SWIVEL,JIC			
83103	10671-16-12	HOSE END,FEMALE SWIVEL,JIC			
83104	10671-10-12	HOSE END,FEMALE SWIVEL,JIC			
83112	1JC71-8-8	HOSE END,FEMALE SWIVEL,SEAL LOK			
83113	1JS71-16-12	HOSE END,FEMALE SWIVEL,SEAL LOK			
83114	1JS71-10-12	HOSE END,FEMALE SWIVEL,SEAL LOK			
83115	1J971-8-8	HOSE END,90° FEMALE SWIVEL,SEAL LOK			
83116	1J171-8-8	HOSE END,90° FEMALE SWIVEL,SEAL LOK			
83117	1J771-8-8	HOSE END,45° FEMALE SWIVEL,SEAL LOK			
83127	1J543-6-8	HOSE END,90° FEMALE SWIVEL,JIC			
83128	1JC43-6-8	HOSE END,FEMALE SWIVEL,SEAL LOK			
87033	12-6 TRLO-S	REDUCER,TUBE END TO SWIVEL,ORFS			
87034	3J782-8-8	HOSE END,45° FEMALE SWIVEL,SEAL LOK			
87172	12 HP5ON-S	PLUG,STRAIGHT THREAD			
87185	8 WNLO-WLNL-S	UNION,BULKHEAD 45°,ORFS			
87246	4 C6X-S	ELBOW,90°,SWIVEL NUT TO FLARE TUBE			
87679	6 LHP-S	FLANGE SEAL FITTING, MALE			
87681	6PLS N0702	BONDED SEAL			
88100	SR88100	ADAPTER,OIL DRAIN,GM 3.0L			
88311	1JS43-20-20	HOSE END,FEMALE SWIVEL,SEAL LOK			
88353	20 V5OLO-S	ELBOW,45°,STRAIGHT THREAD TO ORFS			
88474	10081-20	Crimp Shell, 1.25"			
88475	1988-20-24	HOSE END,90° FLANGE HEAD			
88476	JS88-24-24	HOSE END,FEMALE SWIVEL,SEAL LOK			
88477	1JC88-20-20	HOSE END,FEMALE SWIVEL,SEAL LOK			
88478	811-20	HOSE,11/4 INCH ID			
88936	20-16 F5OLO-S	CONNECTOR,STRAIGHT THREAD TO ORFS			
88937	20-16 FLO-S	CONNECTOR,MALE PIPE TO ORFS			
88938	1JC88-16-16	HOSE END,FEMALE SWIVEL,SEAL LOK			
88939	1J988-16-16	HOSE END,90° FEMALE SWIVEL,ORFS			
88940	811-16	HOSE,1 INCH ID			
88944	1J988-20-20	HOSE END,90° FEMALE SWIVEL,ORFS			
89403	16 VLO-S	ELBOW,45°,MALE PIPE TO ORFS			

California Proposition 65

Warning

The exhaust from this product contains chemicals known to the State of California to cause cancer, birth defects or other reproductive harm.

Genie North America

Phone 425.881.1800
Toll Free USA and Canada
800.536.1800
Fax 425.883.3475

Genie Australia Pty Ltd.

Phone +61 7 3375 1660
Fax +61 7 3375 1002

Genie China

Phone +86 21 53852570
Fax +86 21 53852569

Genie Malaysia

Phone +65 98 480 775
Fax +65 67 533 544

Genie Japan

Phone +81 3 3453 6082
Fax +81 3 3453 6083

Genie Korea

Phone +82 25 587 267
Fax +82 25 583 910

Genie Brasil

Phone +55 11 41 665 755
Fax +55 11 41 665 754

Genie Holland

Phone +31 183 581 102
Fax +31 183 581 566

Genie Scandinavia

Phone +46 31 575100
Fax +46 31 579020

Genie France

Phone +33 (0)2 37 26 09 99
Fax +33 (0)2 37 26 09 98

Genie Iberica

Phone +34 93 579 5042
Fax +34 93 579 5059

Genie Germany

Phone +49 (0)4202 88520
Fax +49 (0)4202 8852-20

Genie U.K.

Phone +44 (0)1476 584333
Fax +44 (0)1476 584334

Genie Mexico City

Phone +52 55 5666 5242
Fax +52 55 5666 3241

Distributed By:

Parts Manual

S-60, S-65, S-60X, S-60XC

S-60HC, S-60Trax, S-65Trax

*from SN S6010-21001
to S6013-26295*

Part No.
147769

Rev B5

Genie
A TEREX BRAND